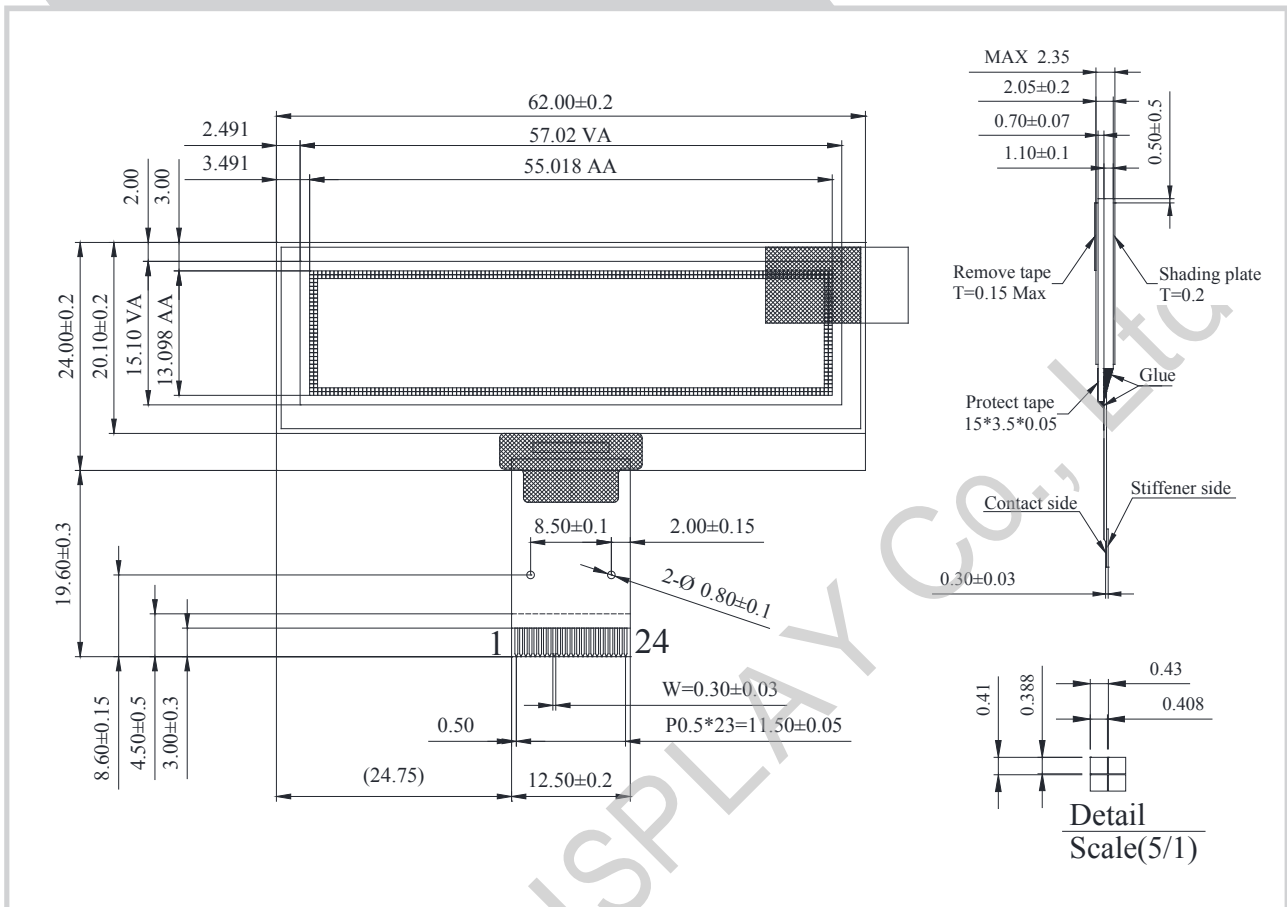


WEO012832A OLED Graphic 128x32 dots



Feature

1. 128\*32 Dot Matrix
2. Built-in controller SSD1305Z
3. +3V Power supply
4. 1/32 duty
5. Interface: 6800, 8080, SPI, I2C
6. Polarizer optional

Mechanical Data

Item	Standard Value	Unit
Module Dimension	62.00 x 24.0	mm
Viewing Area	57.02 x 15.10	mm
Active Area	55.018 x 13.098	mm
Dot Pitch	0.43 x 0.41	mm
Dot Size	0.408 x 0.388	mm

Pin No.	Symbol	Description
1	NC	No Connection
2	VLSS	Analog system ground pin
3	VSS	Ground Pin
4	NC	No Connection
5	VDD	Voltage for logic
6	BS1	Interface selection
7	BS2	Interface selection
8	CS#	Chip Select Pin
9	RES#	Reset Signal Pin
10	D/C#	Data/Command Control Pin
11	R/W#	Read/Write Control
12	E(RD#)	Chip Enable Signal
13~20	D0~D7	Data Bus
21	IREF	SEG Current Refer Pin
22	VCOMH	COM deselected level
23	VCC	Panel driving voltage
24	NC	No Connection

Electrical Characteristics

Item	Symbol	Condition	Standard Value			Unit
			min.	typ.	max.	
Input Voltage	VDD	---	2.8	3.0	3.3	V