

[Click Here to upgrade to Unlimited Pages and Expanded Features](#)

**Approval Sheet**  
**(確認書)**

編號 Ref. No.	150330-12
日期 Issued Date	2015-3-30

**公司名稱** : \_\_\_\_\_  
 Company Name  
**產品編號** : **E2-1150AUG1**  
 Part No.  
**產品種類** : **数码显示板**  
 Category  
**產品描述** : **1.5 Inch、单位、共阳、超高亮黄绿色、灰面白字**  
 Description  
**客戶產品編號** : \_\_\_\_\_  
 Customer No.  
**備注** : \_\_\_\_\_  
 Remarks

STRONG BASE			
ISSUER	APPROVER	CHECKER	ENGINEER
	曾雪昭	王金龙	郭清莲

Authorized Signature 客戶簽字				
部門 Department				
簽字 Signature				

工廠名稱: 宇之亮電子(深圳)有限公司  
 工廠地址: 廣東省深圳市龍崗區橫崗鎮荷坳村金源工業區  
**Company Name: Pretty Light (Shen Zhen) Limited**  
**Factory Address: jin-Yuan, Industrial Zone He-Ao Cun, Heng-Gang**  
**Zhen Long-Gang Area, Shen-Zhen City,**  
 TEL: (755) 8976 7353      FAX: (755) 89767754

## Single Chip Light Electricity Characteristic Data

### ※Absolute Maximum Ratings at Ta=25°C

Parameter	Rating	Unit
Power Dissipation Per Chip	50	mW
Perk Forward Current Per Chip (Frequency 10KHz, 1/10Duty Cycle)	60	mA
Reverse Voltage Per Chip	5	V
Operating Temperature Range	-20~+80	°C
Storage Temperature Range	-20~+85	°C
Storage Humidity	45% ~ 85%	

### ※Electrical and Optical Characteristics at Ta=25°C

Parameter	Symbol	Condition	Color	Min	Typ	Max	Unit
Forward Voltage Per Chip	VF	IF=20mA	Y-Green	1.8	2.0	2.5	v
Reverse Current	IR	VR=5V	-	-	-	50	uA
Luminous Intensity Per Chip	IV	IF=20mA	Y-Green	30	45	60	mcd
Dominant Wave Length	$\lambda d$	IF=20mA	Y-Green	568	571	573	nm
Normal Forward Current	IF		All Color	5	10	20	mA

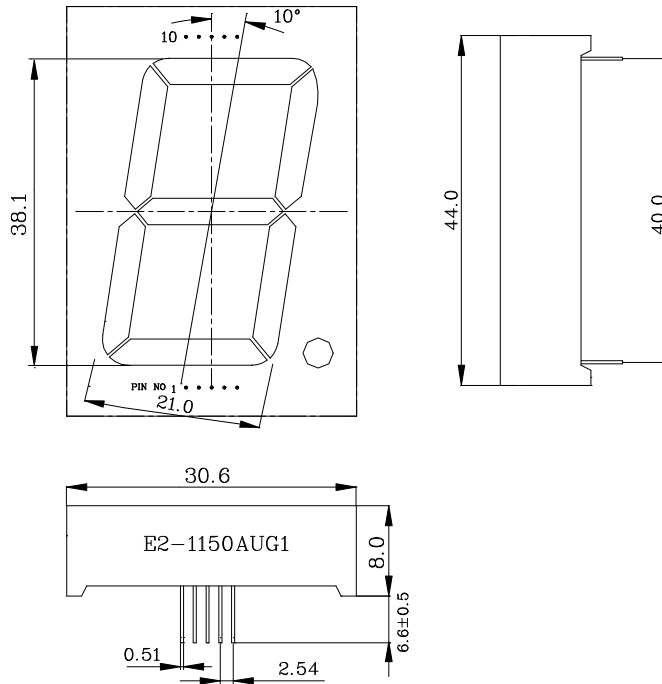
Note : Soldering Bath : not more than 4 seconds @260°C。 The bottom ends of plastic reflector should be at least 2mm above the solder surface。

Soldering Iron : not more than 3 seconds @300°C under 30W。

**PART No.: E2-1150AUG1**

**Client:**

**PACKAGE DIMENSION**(Unit: mm Tolerance:  $\pm 0.25$ )



**INTERNAL CIRCUIT DIAGRAM**

