

XIAMEN PRECISE DISPLAY

SPECIFICATIONS FOR LIQUID CRYSTAL DISPLAY

PART NUMBER:

PCM1602H-RN-YBS-02

DATE:

2007.06.02

1.0 MECHANICAL SPECS

1. Overall Module Size	65.5mm(W) x 36.7mm(H) x max 13.5mm(D) for LED backlight version
2.Dot Size	0.47mm(W) x 0.58mm(H)
3.Dot Pitch	0.52mm(W) x 0.63mm(H)
4.Duty	1/16
5.Controller IC	ST7066U-OA OR EQUIVALENT
6.LC Fluid Options	STN
7.Polarizer Options	Yellow-Green and Transflective
8.Viewing Angle	6:00 o'clock
9.Backlight Options	NC
10.Temperature Range Options	Operating: (-20°C ~ +70°C), Storage: (-30°C ~ +80°C)

2.0 ABSOLUTE MAXIMUM RATINGS

Item	Symbol	Min	Typ	Max	Unit
Operating temperature (Standard temperature)	Top	-20	-	70	°C
Storage temperature (Standard temperature)	Tst	-30	-	80	°C
Input voltage	Vin	Vss	-	Vdd	V
Supply voltage for logic	Vdd- Vss	4.5	5.0	5.5	V
Supply voltage for LCD drive	Vdd- Vo	4.2	4.5	4.8	V

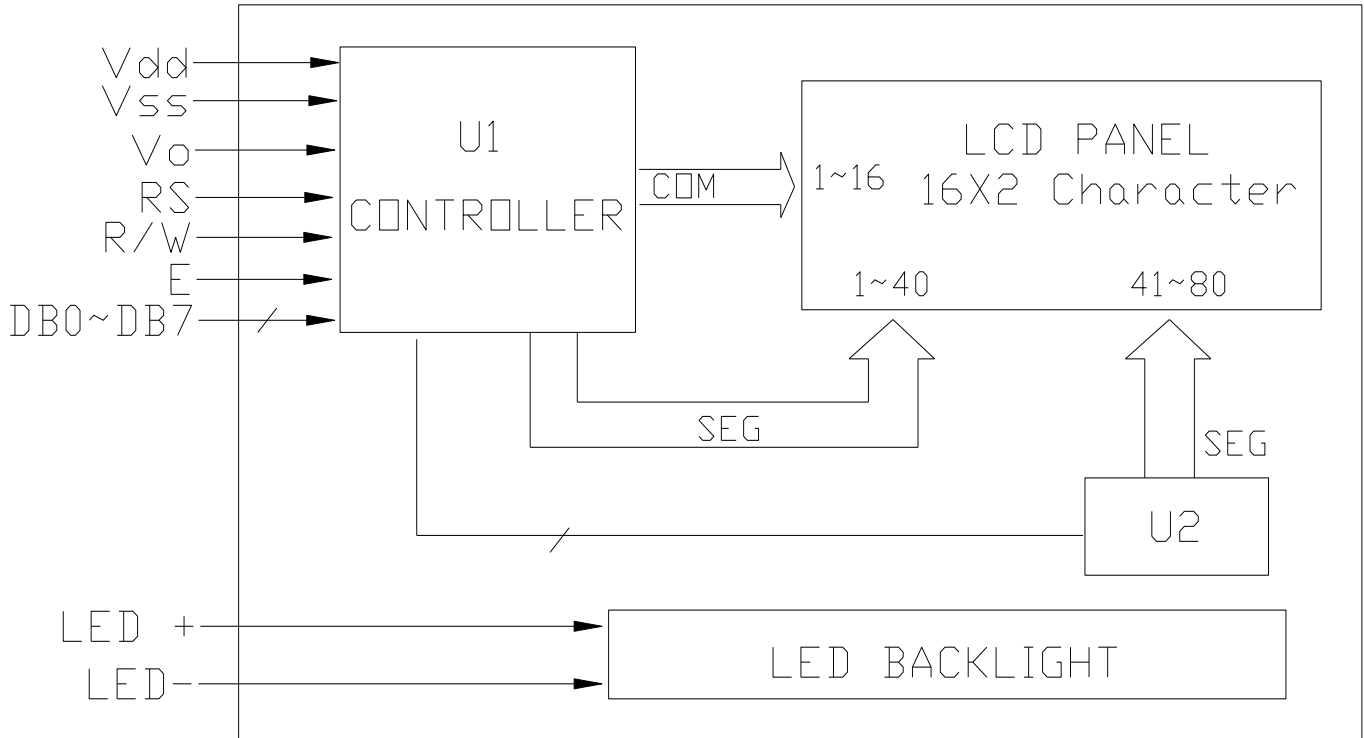
3.0 ELECTRICAL CHARACTERISTICS

Item	Symbol	Condition	Min	Typ	Max	Unit
Power Supply Voltage	Vdd	fosc=270kHz	4.5	5.0	5.5	V
Power Supply Current	Idd	Vdd=5.0V, fosc=270kHz	-	0.8	1.8	mA
Recommended LC Driving Voltage (Standard Temp)	Vdd - Vo	0°C	-	4.8	5.4	V
		25°C	4.2	4.5	-	
		50°C	3.9	4.3	-	
Recommended LC Driving Voltage (Wide Temp)	Vdd -Vo	-20°C	-	6.4	7.2	V
		0°C	-	4.8	-	
		50°C	-	4.2	-	
		70°C	3.5	4.0	-	
BackLight Supply Voltage	Vf	-	-	-	-	V
BackLight Supply Current	If	-	-	-	-	mA

4.0 OPTICAL CHARACTERISTICS (Ta=25°C, Vdd= 5.0V±0.25V, STN LC fluid)

Item	Symbol	Condition	Min	Typ	Max	Unit
Viewing angle (horizontal)	θ	Cr \geq 2.0	-60	-	35	deg
Viewing angle (vertical)	ϕ	Cr \geq 2.0	-40	-	40	deg
Contrast Ratio	Cr	$\phi=0^\circ, \theta=0^\circ$	-	6	-	
Response time (rise)	Tr	$\phi=0^\circ, \theta=0^\circ$	-	150	250	ms
Response time (fall)	Tf	$\phi=0^\circ, \theta=0^\circ$	-	150	250	ms

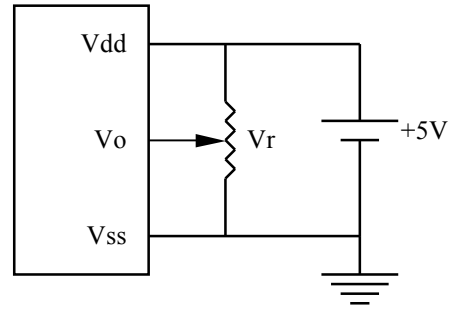
5.0 BLOCK DIAGRAM



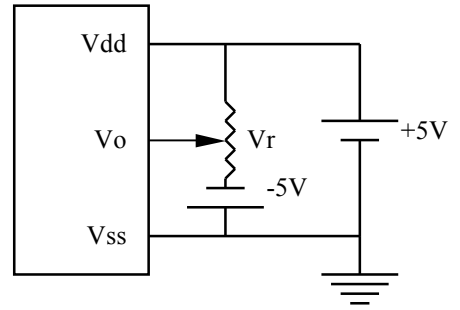
6.0 PIN ASSIGNMENT

Pin No.	Symbol	Function
1	Vss	Ground
2	Vdd	+3.3V
3	Vo	LCD contrast adjust
4	RS	Register select
5	R/W	Read / write
6	E	Enable
7	DB0	Data bit 0
8	DB1	Data bit 1
9	DB2	Data bit 2
10	DB3	Data bit 3
11	DB4	Data bit 4
12	DB5	Data bit 5
13	DB6	Data bit 6
14	DB7	Data bit 7
15	NC	
16	NC	

7.0 POWER SUPPLY



STANDARD TEMP RANGE



WIDE TEMP RANGE

$V_R = 10K\Omega \sim 20K\Omega$

8.0 TIMING CHARACTERISTICS

Item	Symbol	Test Condition	Min.	Typ.	Max.	Unit
Enable cycle time	t_c	Fig. a, Fig. b	500	-	-	ns
Enable pulse width	t_w	Fig. a, Fig. b	220	-	-	ns
Enable rise/fall time	t_R, t_F	Fig. a, Fig. b	-	-	25	ns
RS, R/W set up time	t_{su}	Fig. a, Fig. b	40	-	-	ns
RS, R/W hold time	t_H	Fig. a, Fig. b	10	-	-	ns
Data delay time	t_D	Fig. b	-	-	120	ns
Data set up time	t_{DSU}	Fig. a	60	-	-	ns
Data hold time	t_{DH}	Fig. a, Fig. b	20	-	-	ns

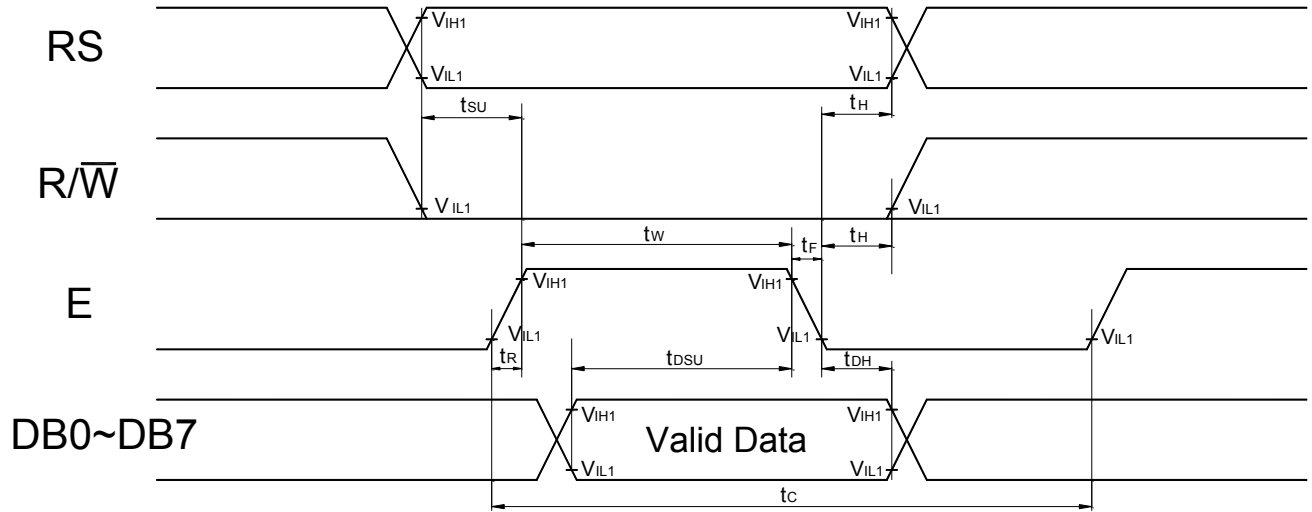


Fig. a Interface timing (data write)

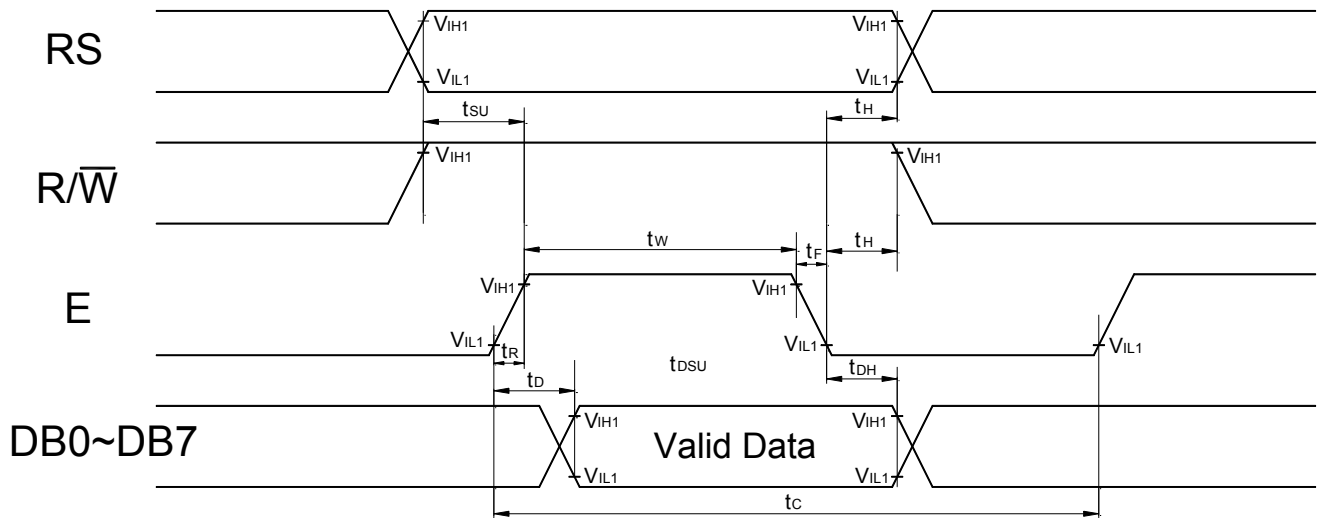
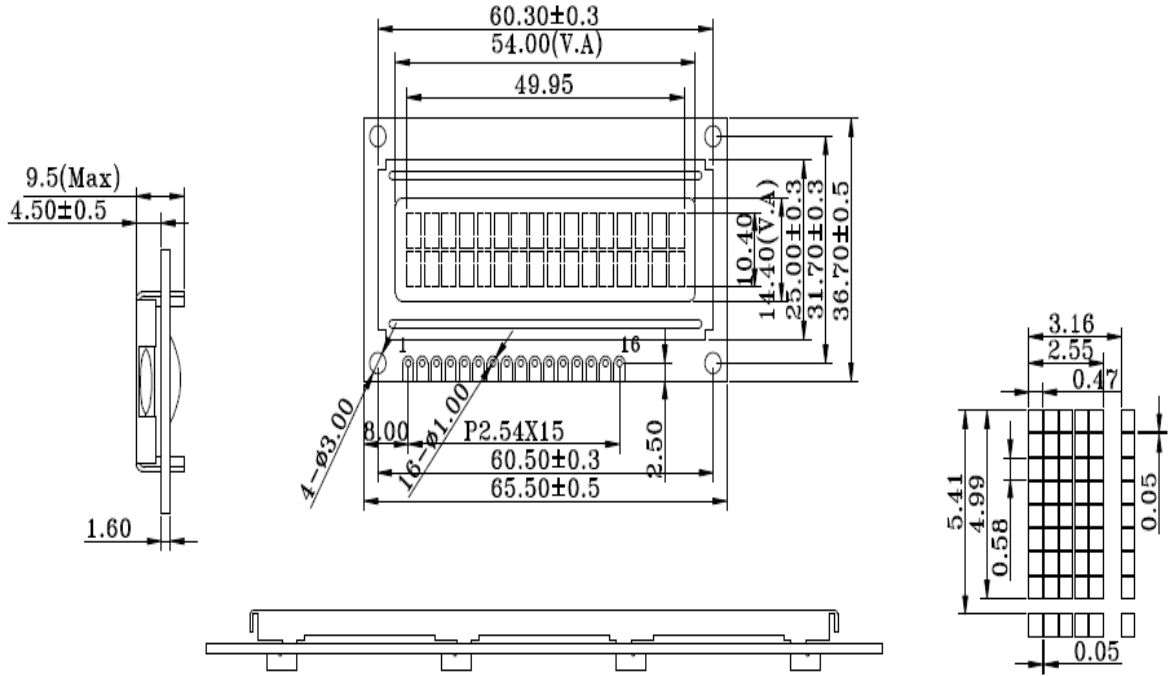


Fig. b Interface timing (data read)

9.0 MECHANICAL DIAGRAM



FEATURES:

1. DISPLAY MODE: STN YELLOW-GREEN, TRANSFLECTIVE
2. VIEW ANGLE: 6:00
3. OPERATING VOLTAGE: 5V
4. OPERATING TEMP: -20°C ~ +70°C
5. STORAGE TEMP: -30°C ~ 80°C
6. DRIVER: ST7066U-0A OR EQUIVALENT

CENTER OF PCB

TOLERANCES UNLESS OTHERWISE SPECIFIED ±0.2

PIN	1	2	3	4	5	6	7	8
SIGNAL	VSS	VDD	V0	RS	R/W	E	DB0	DB1
PIN	9	10	11	12	13	14	15	16
SIGNAL	DB2	DB3	DB4	DB5	DB6	DB7	A	K

 厦门精显电子有限公司 XIAMEN PRECISE DISPLAY CO., LTD.			
确认:	绘图: HongJUAN	绘图编号: PCM1602H-RN-YBS-02	单位: mm
	审核: CAO	客户编号: PCM1602H-RN-YBS-02	日期: 2007.08.08
	批准: ZHUANG	图纸版号: V1.0	页数: 1/1

10.0 RELIABILITY TEST

Storage Condition	Content	Evaluations and Assessment*			
		Current Consumption	Oozing	Contrast	Other Appearances
Operation at high temperature and humidity	40°C,90% RH,240hrs	Twice initial value or less	none	More than 80% of initial value	No abnormality
High temperature storage	60°C, 240hrs	Twice initial value or less	none	More than 80% of initial value	No abnormality
Low temperature storage	-20°C, 240hrs	Twice initial value or less		More than 80% of initial value	No abnormality

*Evaluations and assessment to be made two hours after returning to room temperature (25°C±5°C).

*The LCDs subjected to the test must not have dew condensation.

11.0 DISPLAY CHARACTER ADDRESS

16*2 Module DDRAM Address:

1	2	3	4	5	6	7	8	9	10	11	12	13	14	15	16
00	01	02	03	04	05	06	07	08	09	0A	0B	0C	0D	0E	0F
40	41	42	43	44	45	46	47	48	49	4A	4B	4C	4D	4E	4F

12.0 DISPLAY INSTRUCTION TABLE

COMMAND	R S	R/ W	DB 7	DB 6	DB 5	DB 4	DB 3	DB 2	DB 1	DB 0	DESCRIPTION	Executing time fosc=250khz
Clear Display	0	0	0	0	0	0	0	0	0	1	Clears Display & Returns to Address 0.	1.64ms
Cursor at Home	0	0	0	0	0	0	0	0	1	x	Returns Cursor to Address 0. Also returns the display being shifted to the original position. DDRAM contents remain unchanged.	1.64ms
Entry Mode Set	0	0	0	0	0	0	0	1	I/D	S	I/D: Set Cursor Moving Direction I/D=1: Increment I/D=0: Decrement S: Specify Shift of Display S=1: The display is shifted S=0: The display is not shifted	40µs
Display ON/OFF Control	0	0	0	0	0	0	1	D	C	B	Display D=1: Display on D=0: Display off Cursor C=1: Cursor on C=0: Cursor off Brink B=1: Brink on B=0: Brink off	40µs
Cursor / Display Shift	0	0	0	0	0	1	S/C	R/L	x	x	Moves cursor or shifts the display w/o changing DD RAM contents S/C=0: Cursor Shift (RAM unchanged) S/C=1: Display Shift (RAM unchanged) R/L=1: Shift to the Right R/L=0: Shift to the Left	40µs
Function Set	0	0	0	0	1	DL	N	F	x	x	Sets data bus length (DL), # of display lines (N), and character fonts (F). DL=1: 8 bits F=0: 5x7 dots DL=0: 4 bits F=1: 5x10 dots N=0: 1 line display N=1: 2 lines display	40µs
Set CG RAM Address	0	0	0	1	Character Generator (CG) RAM Address					Sets CG RAM address. CG RAM data is sent and received after this instruction.		40µs
Set DD RAM Address	0	0	1	Display Data (DD) RAM Address / Cursor Address					Sets DD RAM address. DD Ram data is sent and received after this instruction.		40µs	
Busy Flag / Address Read	0	1	B F	Address counter used for both DD & CG RAM address					Reads Busy Flag (BF) and address counter contents.		40µs	
Write Data	1	0	Write Data					Writes data into DDRAM or CGRAM.		46µs		
Read Data	1	1	Read Data					Reads data from DDRAM or CGRAM.		46µs		

x: Don't Care

13.0 STANDARD CHARACTER PATTERNS

NO.7066-0A

b7-b4 b3-b0	0000	0001	0010	0011	0100	0101	0110	0111	1000	1001	1010	1011	1100	1101	1110	1111
0000	CG RAM (1)			0	1	P	^	P				-	9	E	Q	P
0001	(2)		!	1	A	Q	a	9			.	7	7	4	8	q
0010	(3)		"	2	B	R	b	r			7	7	9	x	p	Q
0011	(4)		#	3	C	S	c	s			7	7	7	E	S	Q
0100	(5)		\$	4	D	T	d	t			7	7	7	7	7	Q
0101	(6)		%	5	E	U	e	u			.	*	*	7	Q	Q
0110	(7)		&	6	F	V	f	v			7	7	7	7	7	Q
0111	(8)		'	7	G	W	g	w			7	7	7	7	7	Q
1000	(1)		(8	H	X	h	x			7	7	7	7	7	Q
1001	(2))	9	I	Y	i	y			7	7	7	7	7	Q
1010	(3)		*	:	J	Z	j	z			7	7	7	7	7	Q
1011	(4)		+	:	K	L	k	l			7	7	7	7	7	Q
1100	(5)		.	<	L	W	l	w			7	7	7	7	7	Q
1101	(6)		-	=	N	I	n	7			7	7	7	7	7	Q
1110	(7)		.	>	N	^	n	7			7	7	7	7	7	Q
1111	(8)		/	?	O	_	o	7			7	7	7	7	7	Q

Note: The character generator RAM is the RAM with which the user can rewrite character patterns by program.