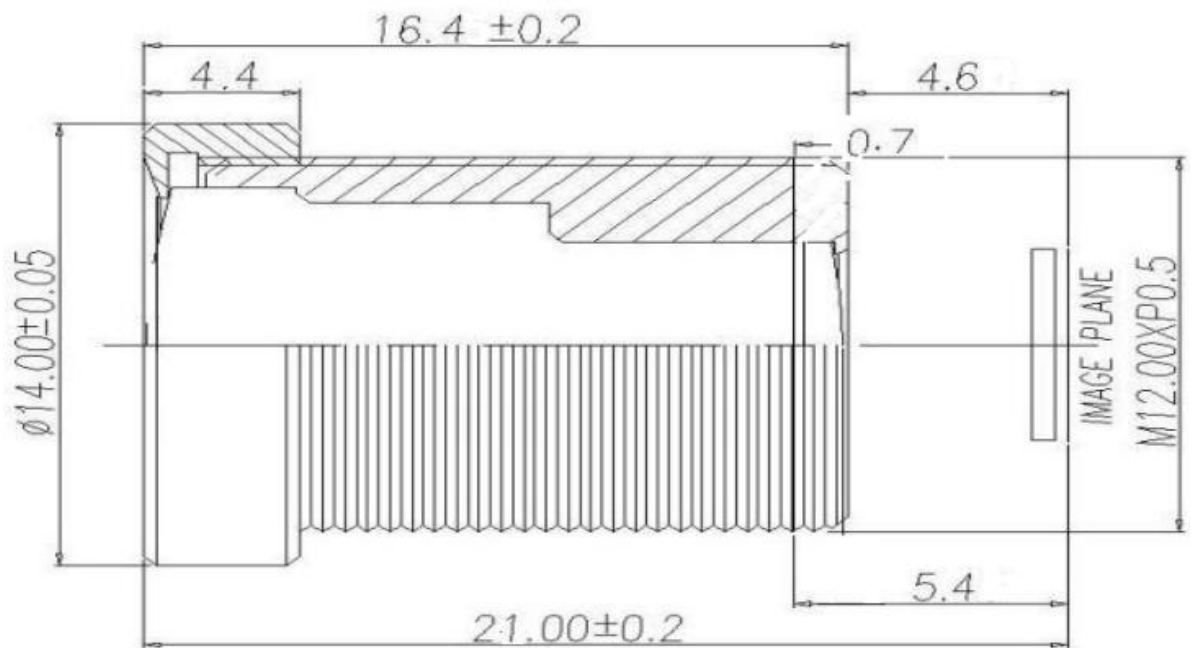


**2. 镜头规格 Lens Specifications**

|  |                               |             |         |        |
|--|-------------------------------|-------------|---------|--------|
| 型号 (Model) :   | 1080P-3.6                     |             |         |        |
|  | 分辨率 (Resolution)              | 2 Megapixel |         |        |
|  | 像面尺寸 (Image format)           | 1/3"        |         |        |
|  | 焦距 (Focal length)             | 3.6mm±5%    |         |        |
|  | 通光孔径 (Aperture)               | F2.2        |         |        |
|  | 接口 (Mount)                    | M12*0.5     |         |        |
|  | 视场角 (Field Angle)<br>D×H×V(°) | "           | 1/3"    |        |
|  |                               | D           | 90      |        |
|  |                               | H           | 72      |        |
|  |                               | V           | 53      |        |
|  | 畸变 (Optical Distortion)       | -15.00%     | -10.00% | -5.00% |
|  | 最近物距 (M. O. D.)               | 0.3m        |         |        |
|  | 外形尺寸 (Dimension)              | Φ14×16.4mm  |         |        |
|  | 重量 (Weight)                   | 4g          |         |        |
|  | 法兰后焦距 (Flange BFL)            | /           |         |        |
|  | 光学后焦距 (BFL)                   | 5.4mm       |         |        |
| 机械后焦距 (MBF)  | 4.6mm                         |             |         |        |
| 日夜共焦 (IR Correction)   | Yes                           |             |         |        |
| 操作方法 (Operation)   | 光圈 (Iris)                     | 固定光圈 (FIX)  |         |        |
| 工作温度 (Operating temperature)   | -20℃~+80℃                     |             |         |        |



|                                    |           |            |             |
|------------------------------------|-----------|------------|-------------|
| 尺寸公差 (mm)<br>Size tolerance (mm) : | 0-10±0.05 | 10-30±0.10 | 30-120±0.20 |
| 角度公差 Angle tolerance               | ±2°       |            |             |