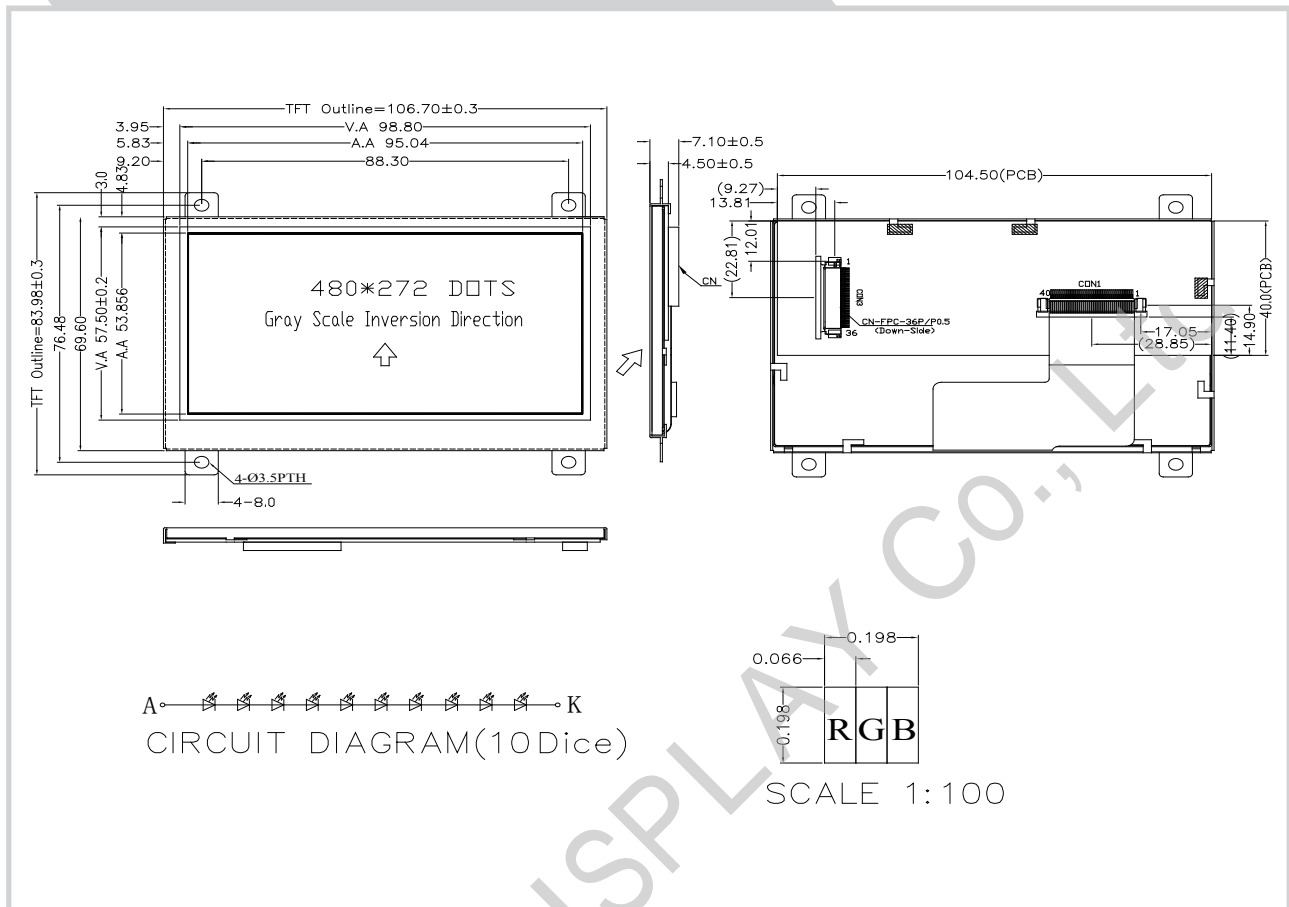


## WF43Q TFT Graphic 480x272 dots



### Feature

- 4.3 inches Color TFT
- Dot Matrix: 480xRGBx272
- View Direction: 12 o'clock
- Gray Scale Inversion Direction: 6 o'clock
- +3.3V power supply of VDD
- Option RTP/CTP
- Controller IC : SSD1963
- LED Driver system build in
- Interface : 8/16 Bits (8080/6800)

Pin No.	Symbol	function
1	GND	System ground pin of the IC.
2	VDD	Power Supply : +3.3V
3	BL_E	Backlight control signal , H: On \ L: Off
4	D/C	Data/Command select
5	WR	Write strobe signal
6	RD	Read strobe signal
7~14	DB0~7	Data bus
15~22	DB8~15	Data bus (When select 8bits Mode, this pin is NC)
23~24	NC	No connect
25	CS	Chip select
26	RESET	Hardware reset
27~32	NC	No connect
33~34	VLED-	VLED - for B/L LED inverter (GND)
35~36	VLED+	VLED+ for B/L LED inverter (+3.3V)

### Mechanical Data

Item	Standard Value	Unit
Module Dimension	106.7 x 83.98	mm
Viewing Area	98.8 x 57.5	mm
Active Area	95.04 x 53.85	mm
Dot Pitch	0.066 x 0.198	mm

### Electrical Characteristics (Operating conditions)

Item	Symbol	Min	Typ	Max	Unit
Supply Voltage	VDD	3	3.1	3.6	V
Supply Current	IDD	---	200	300	mA

### Electrical Characteristics (B/L driving conditions)

Parameter	Symbol	Min	Typ	Max	Unit
LED Voltage	VLED=3.3V	3.3	---	5	V
LED Current	VLED=3.3V	270	---	405	mA