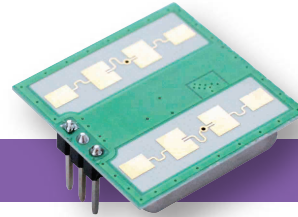


CE RED FCC REACH



PD-V11 24.125GHz Microwave Motion Sensor

Application

- Intelligent switch
- Wall-hung switch
- Intruder detect

The microwave motion sensor of PD-V11 24.125 GHz is K-band doppler transceiver module. This is a flat antenna of our own design develop a layout with well-matched transmissions and receptions.

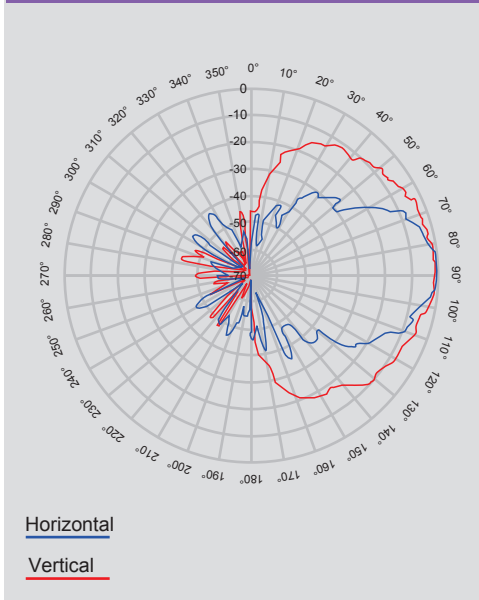
We recalculated and rearranged the internal layout to make it more meaningful. Make the main frequency of the sensor is more stable. These are our a's design patents a wider range of ambient temperatures.

V11-H has lower noise, higher resolution and higher sensitivity. Built-in anti-static function. Compared with traditional similar products, the performance is more stable and reliable.

V11-M and V11-L are different sensitivities that can be customized to the user's needs.

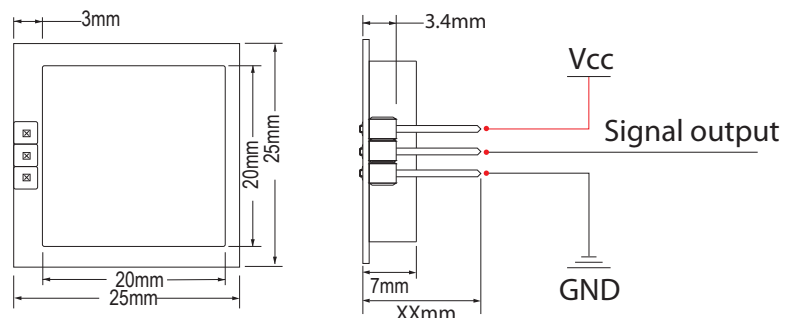
This series of sensor modules is ideal for automatic lighting. Security domain behavior intrusion detection sensor.

Antenna Beam Pattern



**According with EN 300440-V2.1.1、EN 62479: 2010
RED directive - 2014/53/EU
According with FCC Part 15.249
According with EN 62321,ROHS directive - 2011/65/EU
According with REACH directive - 1907/2006/EC**

Products size



Parameter	Notes	Min	Typ	Max	Units
Supply Voltage	V _{cc}	3.0	5.0	5.25	V
Current Consumption	I _{cc}	20	35	38	mA
Operation mode	Powered by PW, it can control the working current at 3-15mA				
Pulse Repetition Frequency		1-10			KHz
Operating Temperature	T _{op}	-30~+85	+100 (Max.)		℃
Storage temperature	T _{stg}	-10	+60		℃
Stable time		<5			μSec
Frequency Setting	f	24.000	24.125	24.250	GHz
Radiated Power (EIRP)	P _{out}	<2.0	<2.5	<3.0	mW
Pulse Width		>3			μSec
Storage ambient humidity		45%~65%			RH

Note1: The radiated emissions is designed to meet FCC rules.

Note2: The Received Signal Strength(RSS) is measured at the total 1 Ways path loss of 70dB.

Note3: The noise voltages are measured from 10Hz to 100Hz at the Output port, inside an Anechoic chamber.

Note4: Pulse operation

Ningbo Pdlux Electronic Technology CO.,Ltd

Add: 17F,Commerce Building of NingBo,
No 588, South Tiantong Rode,Yinzhou District,Ningbo, China

Tel: 86-574-83008608(20 lines) Fax: 86-574-83008609
Email: pdlux@pdlux.com Web: www.pdlux.com