

iC-TL85 TO46-2L1

Infrared LED



Rev C1, Page 1/4

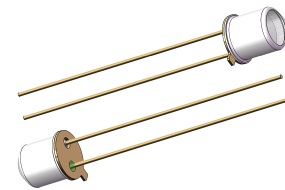
FEATURES

- ◆ Emission peak at 850 nm matched to silicon sensors
- ◆ Optimized irradiance pattern
- ◆ Temperature range -40 to 125 °C
- ◆ High optical output power
- ◆ Fast switching speed
- ◆ TO-46 package for high reliability
- ◆ ROHS conform

APPLICATIONS

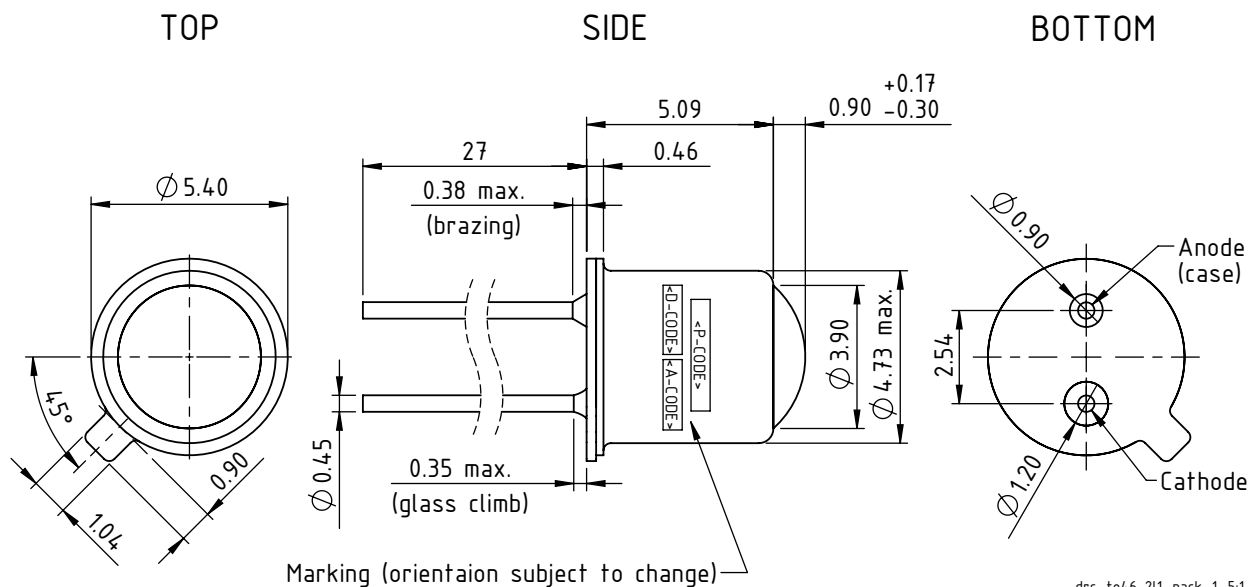
- ◆ Illumination for high resolution optical encoder
- ◆ Modulated light barriers

PACKAGES



TO46-2L1

DIMENSIONS [in mm, typical values]



iC-TL85 TO46-2L1

Infrared LED



Rev C1, Page 2/4

ABSOLUTE MAXIMUM RATINGS

Beyond these values damage may occur ($T_a = 25^\circ\text{C}$, unless otherwise noted)

Item No.	Symbol	Parameter	Conditions			Unit
				Min.	Max.	
G001	IF	Forward current (DC)			100	mA
G002	IFSM	Surge forward current	$t_p \leq 10\mu\text{s}$, 5 % duty cycle		1000	mA
G003	VR	Reverse voltage			5	V
G004	P	Power dissipation			150	mW
G005	Tj	Junction temperature		-40	125	$^\circ\text{C}$

THERMAL DATA

Item No.	Symbol	Parameter	Conditions				Unit
				Min.	Typ.	Max.	
T01	Ta	Operating Ambient Temperature Range		-40		125	$^\circ\text{C}$
T02	Ts	Storage Temperature Range		-40		125	$^\circ\text{C}$
T03	Tpk	Soldering Temperature	$t_{pk} < 5\text{ s}$, 3 mm from case			260	$^\circ\text{C}$
T04	Rthja	Thermal Resistance Junction To Ambient			350		K/W

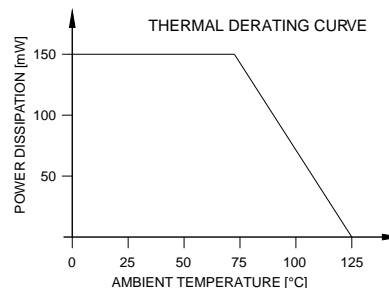


Figure 1: Maximum power dissipation with respect to temperature

ELECTRICAL CHARACTERISTICS

$T_{amb} = 25^\circ\text{C}$, unless otherwise noted

Item No.	Symbol	Parameter	Conditions				Unit
				Min.	Typ.	Max.	
Electrical and Optical Characteristics							
001	V _F	Forward voltage	IF = 20 mA		1.4	1.8	
002	V _R	Reverse voltage	IR = 5 μA	5			V
003	ϕ_e	Radiant power	IF = 20 mA	1.4	2.7		mW
004	TK(ϕ_e)	Temperature coefficient of radiant power	IF = 20 mA, Tj = 25 $^\circ\text{C}$...125 $^\circ\text{C}$		-0.6		%/K
005	λ_p	Peak wavelength	IF = 20 mA	840	850	860	nm
006	$\Delta\lambda$	Spectral half width	IF = 20 mA		30		nm
008	tr, tf	Switching time	IF = 100 mA, RL = 50 Ω		12		ns

iC-TL85 TO46-2L1

Infrared LED



Rev C1, Page 3/4

SAFETY ADVICES

Depending on the mode of operation, these devices emit highly concentrated non visible infrared light which can be hazardous to the human eye.

Products which incorporate these devices have to follow the safety precautions given in IEC 60825-1 and IEC 62471.

HANDLING ADVICES

Because of the specific housing materials and geometries used, these LED devices are sensitive to rough handling or assembly and can thus be easily damaged

or may fail in regard to their electro-optical operation. Excessive mechanical stress or load on the lens surface must be avoided.

DESIGN REVIEW: Notes on chip characteristics

iC-TL85 / iC-TL85Z			
No.	Chip Design	Function, Parameter/Code	Description and Application Hints
1	iC-TL85	initial chip release	see datasheet revision A1
2	iC-TL85Z	Maximum Ratings G002 Electrical Characteristics 003	changed to 1.0 A min. / typ. values increased to 1.4 / 2.7 mW

Table 4: Notes on chip functions regarding iC-TL85 / iC-TL85Z

REVISION HISTORY

Rel.	Rel. Date*	Chapter	Modification	Page
C1	2019-04-29	DIMENSIONS [in mm, typical values]	Package dimensions revised w. respect to glass climb and brazing	1

iC-Haus expressly reserves the right to change its products and/or specifications. An Infoletter gives details as to any amendments and additions made to the relevant current specifications on our internet website www.ichaus.com/infoletter and is automatically generated and shall be sent to registered users by email. Copying – even as an excerpt – is only permitted with iC-Haus' approval in writing and precise reference to source.

The data specified is intended solely for the purpose of product description and shall represent the usual quality of the product. In case the specifications contain obvious mistakes e.g. in writing or calculation, iC-Haus reserves the right to correct the specification and no liability arises insofar that the specification was from a third party view obviously not reliable. There shall be no claims based on defects as to quality in cases of insignificant deviations from the specifications or in case of only minor impairment of usability.

No representations or warranties, either expressed or implied, of merchantability, fitness for a particular purpose or of any other nature are made hereunder with respect to information/specification or the products to which information refers and no guarantee with respect to compliance to the intended use is given. In particular, this also applies to the stated possible applications or areas of applications of the product.

iC-Haus products are not designed for and must not be used in connection with any applications where the failure of such products would reasonably be expected to result in significant personal injury or death (*Safety-Critical Applications*) without iC-Haus' specific written consent. Safety-Critical Applications include, without limitation, life support devices and systems. iC-Haus products are not designed nor intended for use in military or aerospace applications or environments or in automotive applications unless specifically designated for such use by iC-Haus.

iC-Haus conveys no patent, copyright, mask work right or other trade mark right to this product. iC-Haus assumes no liability for any patent and/or other trade mark rights of a third party resulting from processing or handling of the product and/or any other use of the product.

Software and its documentation is provided by iC-Haus GmbH or contributors "AS IS" and is subject to the ZVEI General Conditions for the Supply of Products and Services with iC-Haus amendments and the ZVEI Software clause with iC-Haus amendments (www.ichaus.com/EULA).

* Release Date format: YYYY-MM-DD

iC-TL85 TO46-2L1

Infrared LED



Rev C1, Page 4/4

ORDERING INFORMATION

Type	Package	Order Designation
iC-TL85	TO46-2L1 (<i>long lens cap</i>)	iC-TL85 TO46-2L1

Please send your purchase orders to our order handling team:

Fax: +49 (0) 61 35 - 92 92 - 692

E-Mail: dispo@ichaus.com

For technical support, information about prices and terms of delivery please contact:

iC-Haus GmbH
Am Kuemmerling 18
D-55294 Bodenheim
GERMANY

Tel.: +49 (0) 61 35 - 92 92 - 0

Fax: +49 (0) 61 35 - 92 92 - 192

Web: <http://www.ichaus.com>

E-Mail: sales@ichaus.com

Appointed local distributors: http://www.ichaus.com/sales_partners