

**Tilt Sensor Switch**

Item No.	RBS350100T	Description	Photoelectric	Version	13
Page	1 of 15		Publish Date	Sep. 26, 2020	

● **FUNCTIONS**

Rotation Detecting for 4 directions in vertical mode



● **APPLICATIONS**

1. Screen rotation for portable 3C products

● **FEATURES**

1. Housing made of high insulation plastic material, free from electric conduction and rust problem.
2. Detecting with photo transistors, not affected by metal oxidization or wear. Possesses highly reliable and stable signals.
3. All plastic materials subject to industrial purpose, resist high temperature and meet fireproof function.
4. Simple ON and OFF signals, easy for design.
5. Suitable to vertical PCB.
6. RoHS compliance, an ideal substitute for mercury switch.
7. A more economical tilt and rotation detection option than IC design solution.
8. All made in Taiwan and examined before shipment.

● **PATENTS**

1. Taiwan Patent No. M 397113
2. Taiwan Patent No. I 441221
3. China Patent No. ZL 201020272893.2
4. Japan Patent No. 5281060
5. U.S.A. Patent No. US 8,586,910 B2

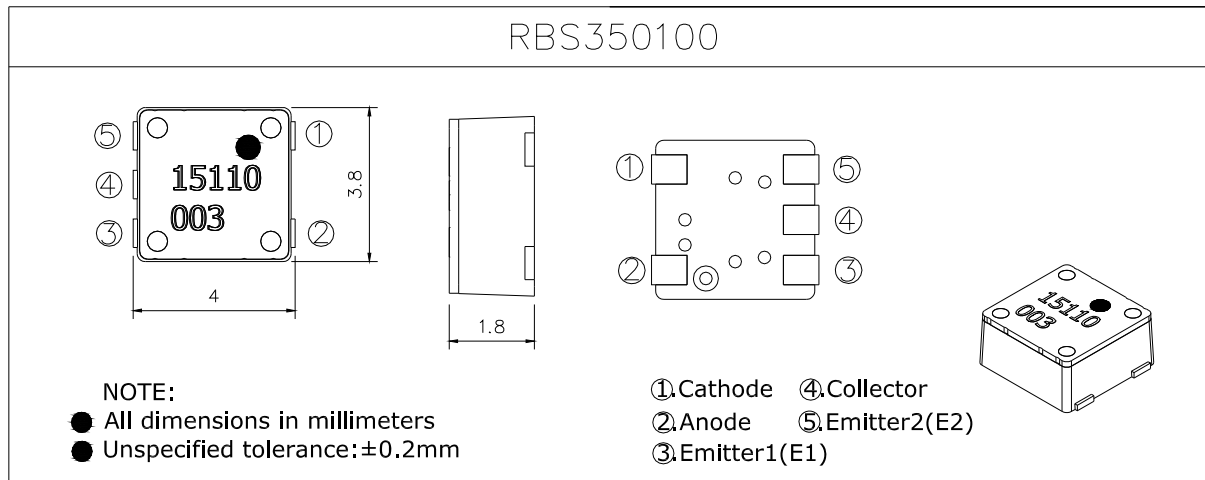


Tilt Sensor Switch

Item No.	RBS350100T	Description	Photoelectric	Version	13
Page	2 of 15		Publish Date	Sep. 26, 2020	

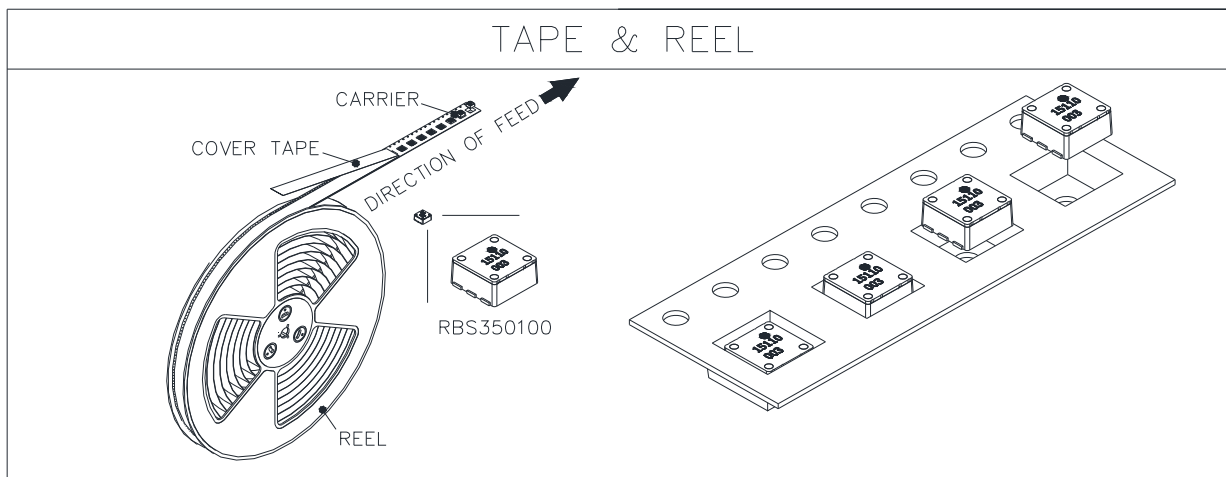
● DIMENSIONS / P.C.B. LAYOUT (Unit: mm, Tolerance: ±0.20mm)

Fig. 1



● PACKING ICON OF TAPE & REEL

Fig. 2



Tilt Sensor Switch

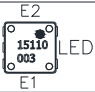

Item No.	RBS350100T	Description	Photoelectric	Version	13
Page	3 of 15		Publish Date	Sep. 26, 2020	

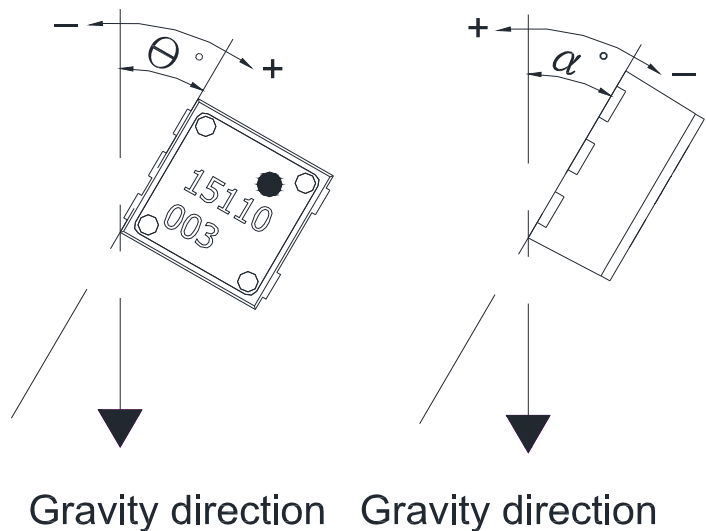
● TILT ANGLE RANGE

I. Clarification:

1. Element with respect to the space Z axis inclination angle  $\alpha$  is within  $30^\circ$ , can be normal actuation.
2. Component rotation angle  $\Theta$  exceeding  $75^\circ$ , the output signal will be switched.

II. Fig. 3

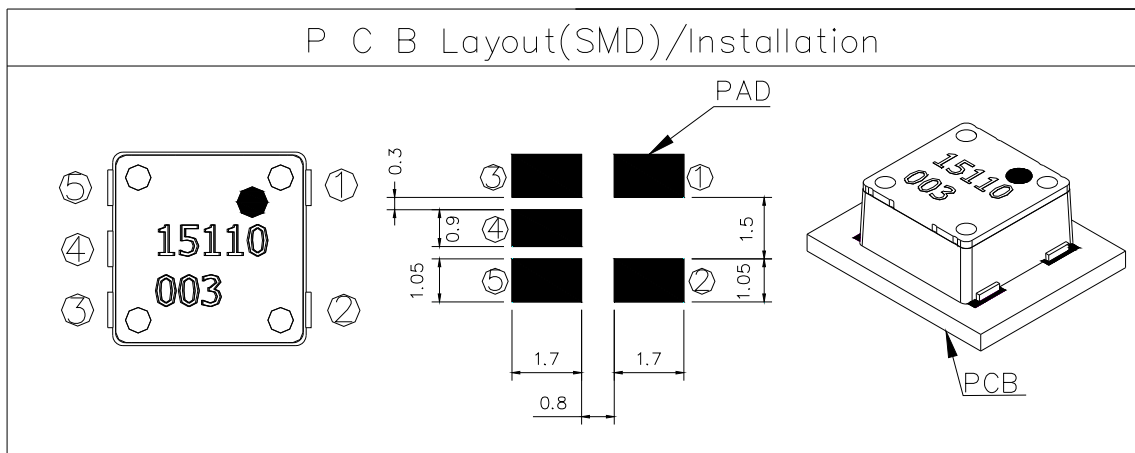
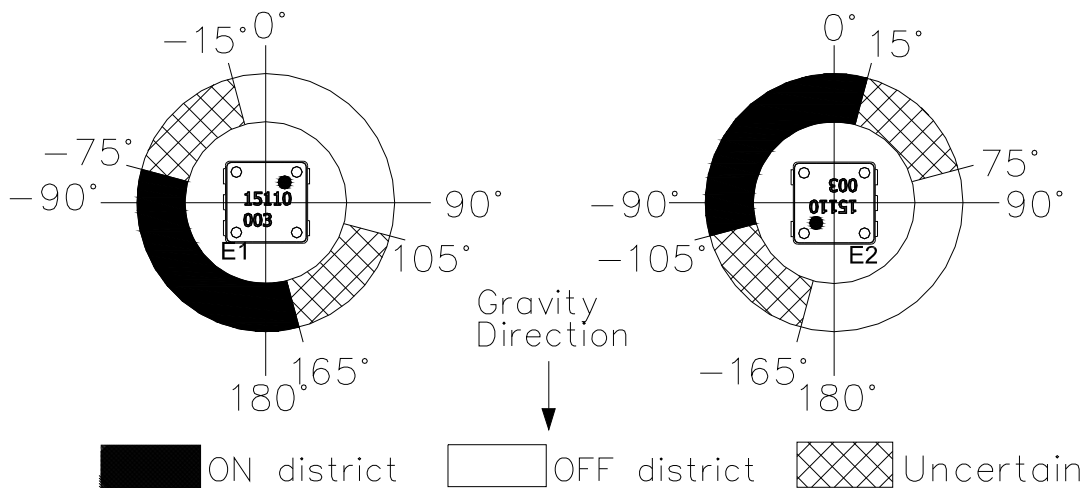
	E1	E2
	0	1
	0	0
	1	0
	1	1



Tilt Sensor Switch

Item No.	RBS350100T	Description	Photoelectric	Version	13
Page	4 of 15		Publish Date	Sep. 26, 2020	

III. Fig. 4

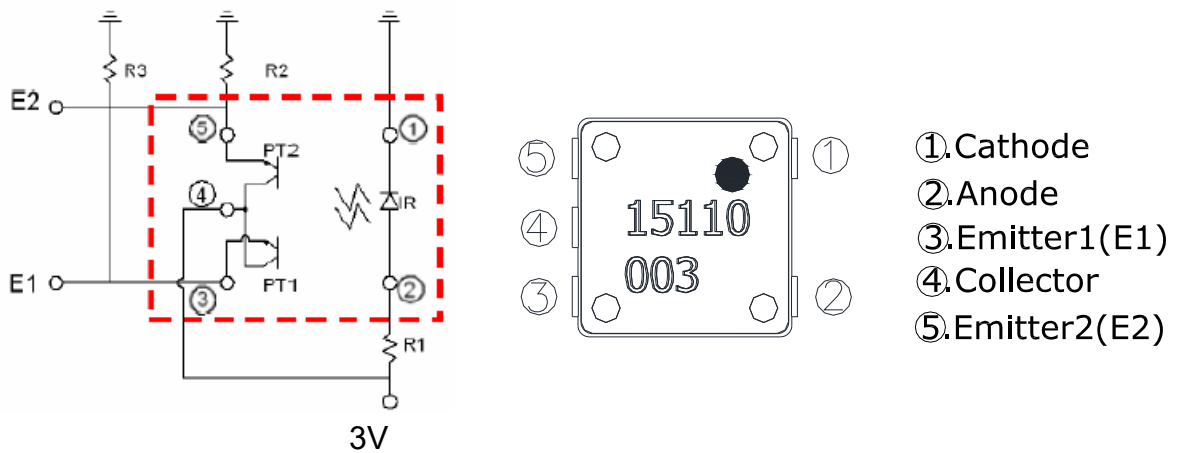


Tilt Sensor Switch

Item No.	RBS350100T	Description	Photoelectric	Version	13
Page	5 of 15		Publish Date	Sep. 26, 2020	

● CIRCUIT SUGGESTED

Application Circuit



**Note :**

E1 : Output current of phototransistors PT1

E2 : Output current of phototransistors PT2

ON : Output current of phototransistors : 100μA or more

OFF : Output current of phototransistors : 20μA or less

Output current of ON/OFF is output when device is at a standstill



Tilt Sensor Switch

Item No.	RBS350100T	Description	Photoelectric	Version	13
Page	6 of 15		Publish Date	Sep. 26, 2020	

● Recommended current and voltage

Input Current	Operating Voltage	Conditions
3.5 mA	3 V	V <sub>CE</sub> =3V R <sub>1</sub> =510 ohm R <sub>2</sub> 、R <sub>3</sub> =22K ohm

Input Current	Operating Voltage	Conditions
3.5 mA	3.3 V	V <sub>CE</sub> =3.3V R <sub>1</sub> =560 ohm R <sub>2</sub> 、R <sub>3</sub> = 22 K ohm

\* Please refer to above Application Circuit for designing electrical circuit.

● Absolute Maximum Rating ( Ta=25°C )

Item		Symbol	Rating	Unit
Input	Power Dissipation	P <sub>d</sub>	75	mW
	Reverse Voltage	V <sub>R</sub>	5	V
	Forward Current	I <sub>F</sub>	50	mA
	Peak Forward Current	I <sub>FP</sub>	1	A
Output	Collector Power Dissipation	P <sub>C</sub>	100	mW
	Collector Current	I <sub>c</sub>	20	mA
	C-E Voltage	V <sub>CEO</sub>	30	V
	E-C Voltage	V <sub>ECO</sub>	5	V
Operating Temperature		T <sub>opr</sub>	-25~+85	°C
Storage Temperature		T <sub>stg</sub>	-40~+85	°C
Soldering Temperature (*1)		T <sub>sol</sub>	260	°C

(\*1) t=5 Sec



Tilt Sensor Switch

Item No.	RBS350100T	Description	Photoelectric	Version	13
Page	7 of 15		Publish Date	Sep. 26, 2020	

● Optical/Electrical Characteristics (Ta=25°C)

Parameter		Symbol	Conditions	MIN.	TYP.	MAX.	Unit	
Input	Forward voltage	$V_F$	$I_F=20mA$	-	1.25	1.3	V	
	Reverse current	$I_R$	$V_R=5V$	-	-	10	$\mu A$	
*1 Output	Collector dark current	$I_{CE}$	$V_{CE}=20V$	-	-	50	nA	
*1 Coupling Characteristics	Collector current	$I_C$	$V_{CE}=3.0V, R_1=510\Omega$	100	-	-	$\mu A$	
	*2 Leak current	$I_{LEAK}$	$V_{CE}=3.0V, R_1=510\Omega$	-	-	20	$\mu A$	
	Response Time	Rise time	$t_r$	$V_{CE}=3.0V, I_C=100\mu A$ $R_L=1000\Omega$	-	50	150	us
		Fall time	$t_r$		-	50	150	us
Collector-emitter Saturation voltage		$V_{CE(sat)}$	$I_F=2mA, I_C=100\mu A$	-	-	0.3	V	
Operation Angle		$\theta$	Fig. 4				°	

\*1 Output and coupling characteristics are common to the both phototransistors.

\*2 Leak current is the output of transistor when  $\theta=0^\circ$  or  $\pm 90^\circ$ ,  $\phi=0^\circ$  and  $I_C=OFF$ .



Tilt Sensor Switch

Item No.	RBS350100T	Description	Photoelectric	Version	13
Page	8 of 15		Publish Date	Sep. 26, 2020	

● Typical Electrical / Optical Characteristics Curves (Ta=25°C)

Fig.1 Power Dissipation vs. Ambient Temperature

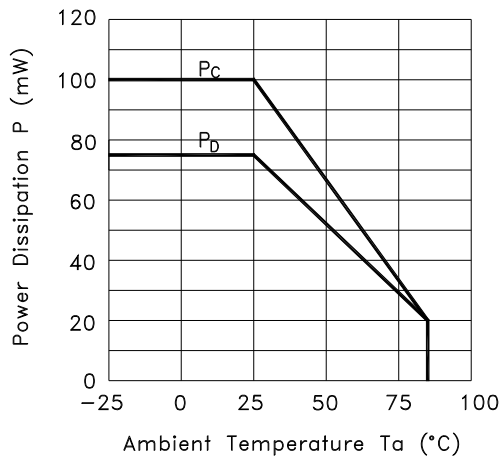


Fig.2 Forward Current vs. Forward Voltage

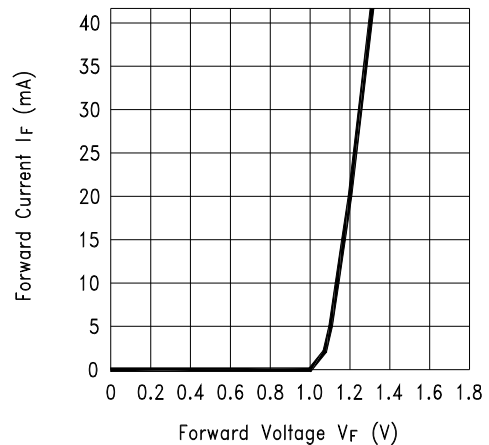


Fig.3 Collector Current vs. Collector-emitter Voltage

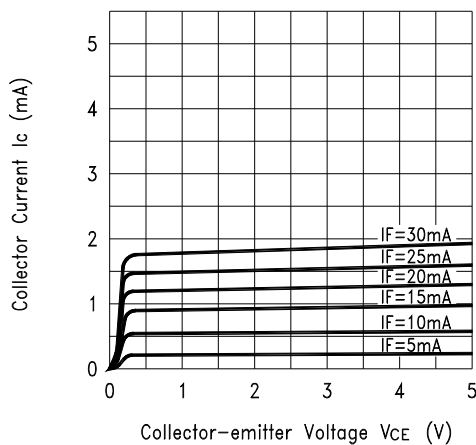
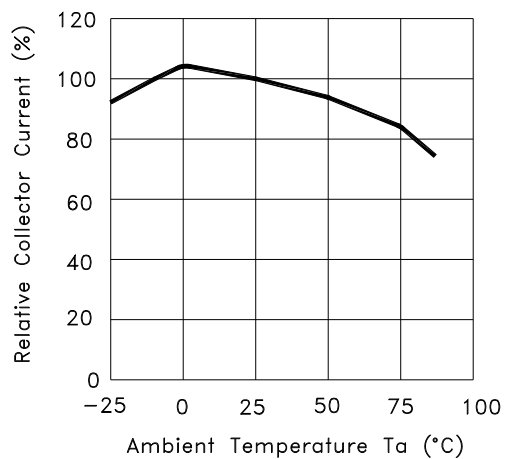


Fig.4 Collector Current vs. Ambient Temperature





Tilt Sensor Switch

Item No.	RBS350100T	Description	Photoelectric	Version	13
Page	9 of 15		Publish Date	Sep. 26, 2020	

Fig.5 Collector-emitter Saturation Voltage vs. Ambient Temperature

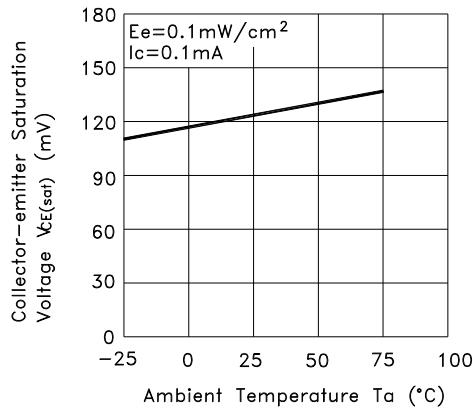


Fig.6 Response Time vs. Load Resistance

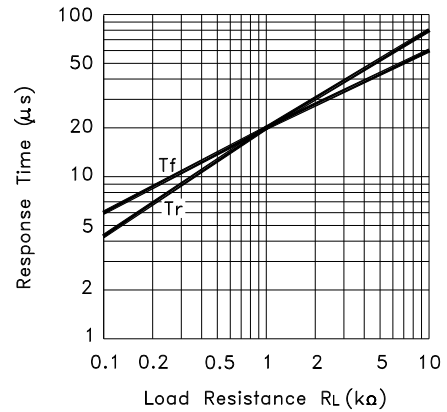
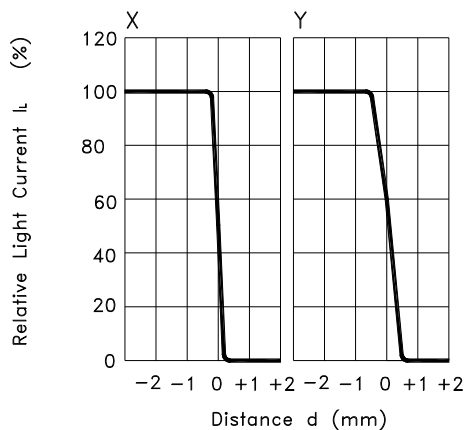
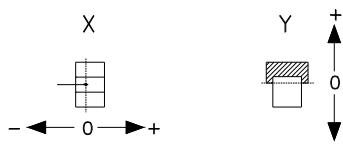


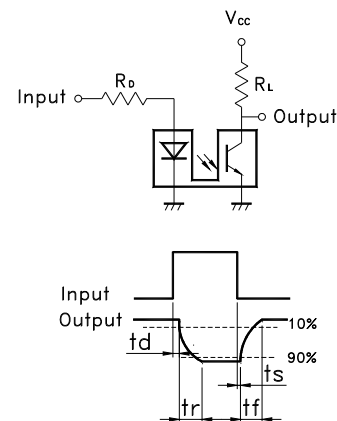
Fig.7 Sensing Position Characteristics (Typical)



(Center of Optical axis)



Test Circuit for Response Time



Tilt Sensor Switch

Item No.	RBS350100T	Description	Photoelectric	Version	13
Page	10 of 15		Publish Date	Sep. 26, 2020	

● RELIABLE TEST ITEMS

Reliable Test for RBS350100T

	Test Item	Contents
1	IR Reflow	Peak temp.=255~260°C
2	Operating Temperature	-25°C ~ 85°C
3	Storage Temperature	-40°C ~ 85°C
4	Humidity	40 °C / 95 %RH
5	Mechanical Life	2Hz, horizontal 1,000,000 times
6	Electrical Life	I <sub>F</sub> =20 mA, V <sub>CE</sub> =5 V TIME: 30,000 hrs

● SOLDERING CONDITION

Following soldering conditions are for reference only, please use soldering information that solder paste manufacturer recommends.

Condition	Soldering Temperature	Soldering Time	Wattage of Manual Soldering	Type
Suitable Production Process				
IR Reflow	Please refer to following < Table of classification Reflow profile > and Fig. 5		-	SMD
Manual Soldering	300±5°C	< 3 seconds max.	30W or Temperature-controlled manual soldering	SMD



**Tilt Sensor Switch**

Item No.	RBS350100T	Description	Photoelectric	Version	13
Page	11 of 15		Publish Date	Sep. 26, 2020	

< Table of classification Reflow profile >

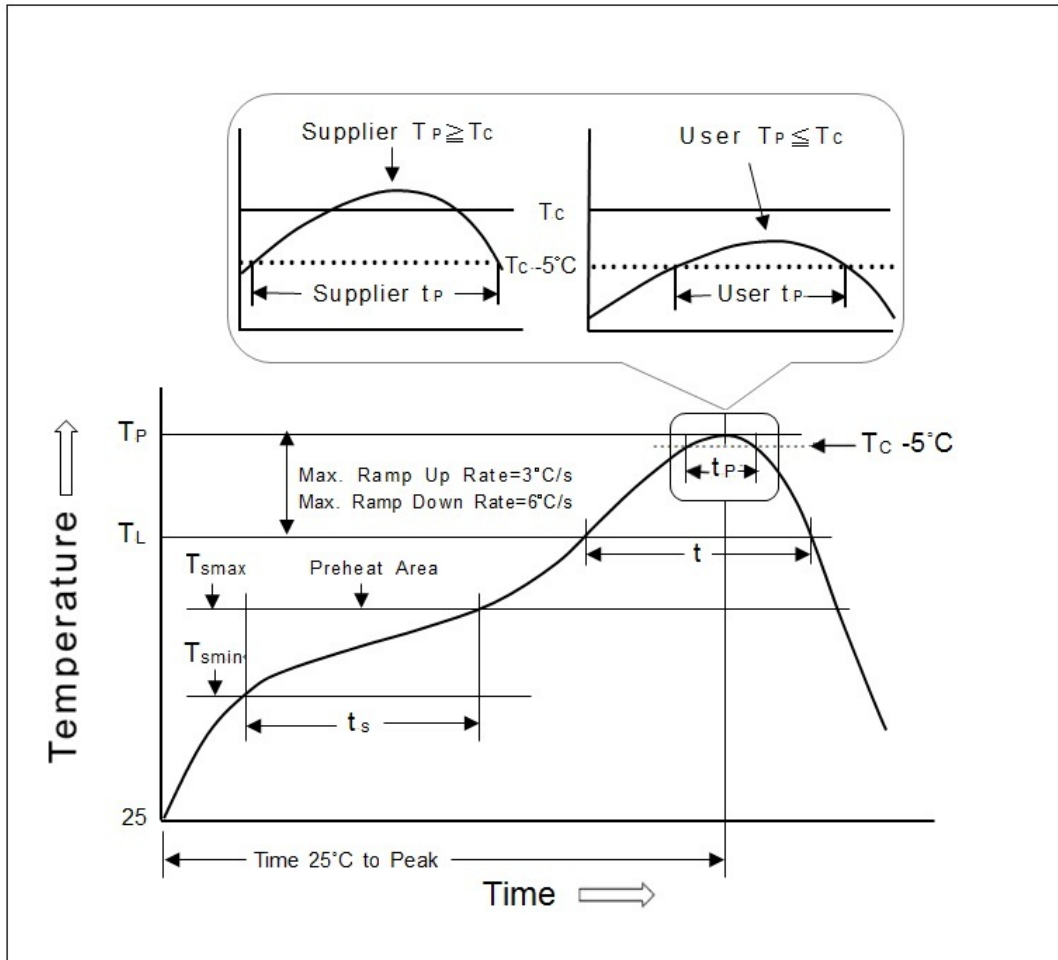
Item	Pb process	Pb free process
Pre-heat and Soak Temperature min.(T <sub>min</sub> ) Temperature max.(T <sub>max</sub> ) Time (T <sub>min</sub> to T <sub>max</sub> )(t <sub>s</sub> )	100°C 150°C 60-120 seconds	150°C 200°C 60-120 seconds
Average ram-up Rate (T <sub>max</sub> to T <sub>p</sub> )	3°C/second max.	3 °C/second max.
Liquidous Temperature (TL) Time at Liquidous (tL)	183°C 60-150 seconds	217°C 60-150 seconds
Peak package body Temperature (T <sub>p</sub> )*	230°C ~235°C *	255°C ~260°C *
Classification temperature(T <sub>c</sub> )	235°C	260°C
Time(tp)** within 5 °C of the specified classification temperature (T <sub>c</sub> )	20** seconds	30** seconds
Average ram-down Rate (T <sub>p</sub> to T <sub>max</sub> )	6°C/second max.	6°C/second max.
Time 25 °C to peak temperature	6 minutes max.	8 minutes max.
* Tolerance for peak profile temperature (T <sub>p</sub> ) is defined as a supplier minimum and a user maximum. ** Tolerance for time at peak profile temperature (tp) is defined as a supplier minimum and a user maximum.		



Tilt Sensor Switch

Item No.	RBS350100T	Description	Photoelectric	Version	13
Page	12 of 15		Publish Date	Sep. 26, 2020	

Fig. 5



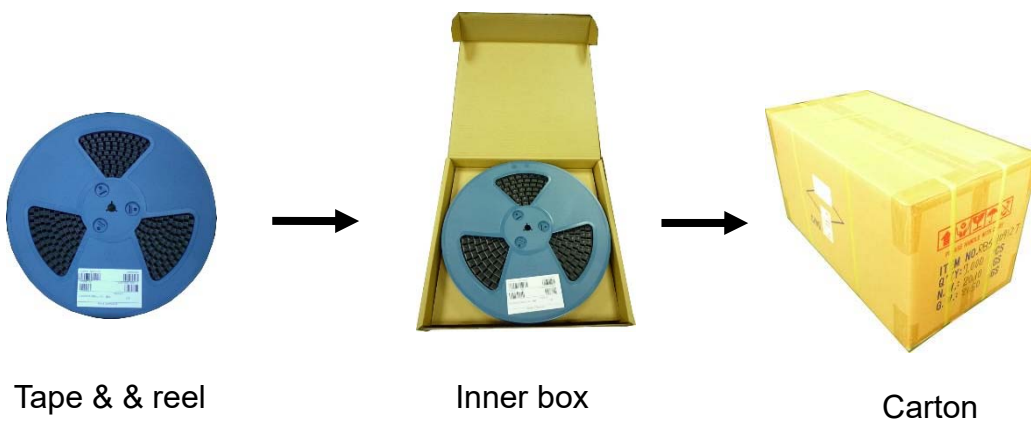
Tilt Sensor Switch

Item No.	RBS350100T	Description	Photoelectric	Version	13
Page	13 of 15		Publish Date	Sep. 26, 2020	

● PACKAGE

	Part Number	Package	Quantity	Total	Dimension (mm)
1.	RBS350100T	Tape & reel	3,500 pcs	3,500 pcs	φ300*12.5H
		Inner box	3 reels	10,500 pcs	355L*340W*68H
		Carton	4 boxes	42,000 pcs	373L*358W*309H

※ Package shown as below for reference.



Tilt Sensor Switch

Item No.	RBS350100T	Description	Photoelectric	Version	13
Page	14 of 15		Publish Date	Sep. 26, 2020	

● NOTE:

I. Design:

1. Caution should be taken not to overload with instantaneous voltage at the turning ON and OFF of the circuit.
2. When using the pulse drive care must be taken to keep the average current with the rate figures.
3. Avoid close to or direct circuit connect to magnetic devices. ( ex: Relay, transformer ...and so on)
4. Don't try to clean the switch with a solvent or similar substance after the soldering process.
5. The switch might be damaged if using the water-soluble flux.

II. Storage:

1. In order to avoid the absorption of moisture, it is recommended to solder as soon as possible after unpacking the sealed bag.
2. If the bag is still sealed, to store it in the environment as following:
  - (1) Temperature: 5°C - 30°C (40°F) ;  
Relative humidity: RH 60% MAX.
  - (2) After the packaging bag is opened to perform the IR reflow or soldering process, the necessary conditions are as below:
    - a. Completed within 168 hours
    - b. Stored at less than 30% RH.
  - (3) If parts is being unable to conform to condition of (2)a or (2)b, it must be baking before it goes to welding again.
  - (4) If baking is required, device must be baked under below condition:  
48 hours at 60°C +/-3°C.



## Tilt Sensor Switch

Item No.	RBS350100T	Description	Photoelectric	Version	13
Page	15 of 15		Publish Date	Sep. 26, 2020	

## III. Others:

1. If the products is intended to be used for other endurance equipment requiring higher safety and reliability such as life support system, space and aviation devices, disaster and safety system, it's necessary to make verification of conformity or contact us for the details before using.
2. To prevent damaging IR and PT, please make electrostatic protective treatment, for example: wearing a conductive wrist strap or antistatic gloves during production process, grounding machinery etc.

## ● Remark:

For the continued product improvement as one of the company policy, specifications may change or update without notice. The latest information can be obtained through our sales offices. Normally, all products are supplied under our standard conditions.

