

## Product Details specification

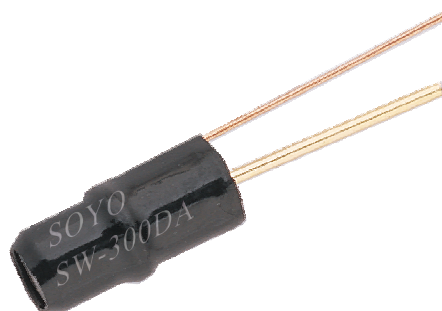
Model	Date	Page
<b>Roll ball switch SW-300DA</b>	2011-2-18	3-1

### ■ Function:

- 1.horizontal tilt detecting
- 2.vertical flip detecting
- 3.vibration detecting

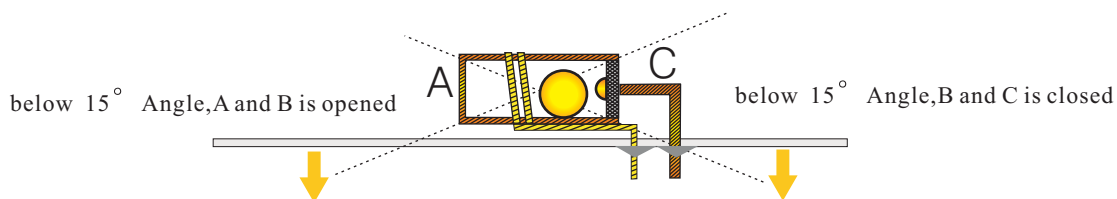
### ■ Applications

- 1.Digital camera rotate
- 2.Automotive devices
- 3.Home electrical appliances
- 4.Communication devices
- 5.Toys



### ■ Features:

- 1.SW-300DA is dual ball type tilt sensitive trigger switch
- 2.When the product tilt to Conductive terminal (A) more than  $15^\circ$  , is open circuit OFF-state, when product level condition tilt change, trigger (gold-plated pin end C) below the horizontal gradient greater than  $15^\circ$  angle, is closed circuit ON-state.
- 3.In a horizontal position, be easy to trigger with a shaking, or not when silver foot down.
- 4.Product completely airtight, waterproof, dustproof
- 5.In the normal, switch life can reach 10,0000 cycles lifespan
- 6.Material compliant with ROHS directive, replace the mercury switch
- 7.Switch signals simple, circuit is simple in design, economic price



## Product Details specification

Model	Date	Page
<b>Roll ball switch SW-300DA</b>	2011-2-18	3-2

### ■ Electrical characteristics:

1	Voltage:	<12V
2	Current:	<20mA
3	Conductive time	2ms
4	Closed resistance	<10 ohm
5	Open resistance	>10M ohm

### ■ Mechanical characteristics:

1	Temperature range:	-40°C to 80°C
2	Pull force of terminal:	500gf for 1 minute
3	Humidity:	95% RH, 40°C for 96 hours
4	Operating lifespan:	100,000 cycles

### ■ Material list:

1	Copper tube :	Copper tube silver-plated
2	Guide pin:	Brass wire, gold-plated
3	Ball:	Two Stainless steel, silver-plated or gold-plated
4	Heat shrink tub:	PET Heat shrinkable tube, black
5	Sealing colloidal particle:	Heat resistance nylon
6	Lead spring:	Phosphorus copper wire

### ■ Welding characteristics

Solder tin, tin content 100%  
Welding humidity: 260°C  
Welding time: 2-2.5 seconds  
Do not use strong acid, alkali flux

### ■ Packaging:

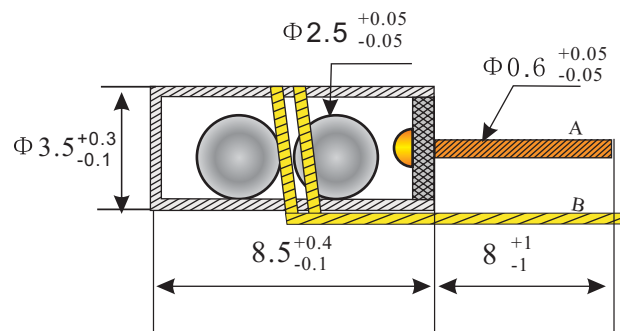
1000PCS/bag (PVC plastic)

## Product Details specification

Model	Date	Page
<b>Roll ball switch SW-300DA</b>	2011-2-18	3-3

### ■ SIZE

Unit=mm



### ■ Note

- 1.If the product used for high security products and durability of extremely high equipment (such as life safety equipment, aviation facilities, disaster prevention device), please confirm whether a share, can seek advice our company for details
- 2.In case of fire, Please do not overload applicable,
- 3.The welding temperature or time more than standard, can cause switch collapse
- 4.Do not use water solubility flux. May cause damage to the switch
- 5.Do not use solvent wash switch
- 6.This switch conduction rate of 98% (conductivity rate per 100 times value switch actions, can good conduction ratio)

Add: Suwu Industrial Zone, Bajaowo Village, Wangjiang District, Dongguan, Guangdong

TEL: 86+769+22176561 Fax: 86+769+22778617

Http://www.blswitch.com E-mail:dgbailin@126.com