

Installation Instructions for the Low-cost, Bipolar Digital Hall-effect Sensor ICs: SS41G

50028377
Issue C

GENERAL INFORMATION

**CAUTION
ELECTROSTATIC
DISCHARGE DAMAGE**

Ensure proper ESD precautions are followed when handling this product.

Failure to comply with these instructions may result in product damage.



SOLDERING/ASSEMBLY

**CAUTION
IMPROPER SOLDERING**

- Ensure leads are adequately supported during any forming/shearing operation so that they are not stressed inside the plastic case.
- Limit exposure to high temperatures.

Failure to comply with these instructions may result in product damage.

See Table 1 for soldering information.

Table 2. Electrical and Environmental Specifications

(At $V_{supply} = 4.5\text{ Vdc to }24.0\text{ Vdc}$, 20 mA load, $T_A = -40\text{ °C to }150\text{ °C}$ [-40 °F to 302 °F] except where otherwise specified.)

Characteristic	Condition	Min.	Typ.	Max.	Unit
Supply voltage	—	4.5	—	24.0	Vdc
Supply current:					
output off	—	—	6.8	10.0	mA
output on	—	—	—	11.3	
Output current	—	—	—	20.0	mA
V_{sat} at 20 mA	$V_{supply} = 12.0\text{ Vdc}$, Brp ≥ 170 , 25 °C [77 °F]	—	—	0.4	V
Output leakage current	$V_{supply} = 24.0\text{ Vdc}$, Brp ≤ -170	—	—	10.0	μA
Rise time	25 °C [77 °F]	—	0.5	1.5	μs
Fall time	25 °C [77 °F]	—	0.2	1.5	μs
Magnetic characteristics:					
operate (Bop)	25 °C [77 °F]	—	40	150	Gauss
operate (Bop)	—	—	—	250	
release (Brp)	25 °C [77 °F]	-140	-40	—	
release (Brp)	—	-250	—	—	
differential	—	40	—	—	
Operating temperature	—	-40 [-40]	—	150 [302]	°C [°F]
Storage temperature	—	-40 [-40]	—	150 [302]	°C [°F]
ESD (Human Body Model)	per JEDEC JS-001	-3	—	+3	kV
Soldering temperature and time	PC board wave soldering process: 250 °C to 260 °C [482 °F to 500 °F] for 3 s max.				

NOTICE

These Hall-effect sensor ICs may have an initial output in either the ON or OFF state if powered up with an applied magnetic field in the differential zone (applied magnetic field $>Brp$ and $<Bop$). Honeywell recommends allowing 10 μs after supply voltage has reached 3 V for the output voltage to stabilize.

CLEANING

**CAUTION
IMPROPER CLEANING**

Do not use pressure wash. High-pressure stream could force contaminants into the package.

Failure to comply with these instructions may result in product damage.

Use agitated rinse to clean the sensor.

Table 2. Absolute Maximum Specifications

Characteristic	Min.	Typ.	Max.	Unit
Supply voltage	-50.0	—	50.0	V
Applied output voltage	-0.5	—	50.0	V
Output current	—	—	20	mA
Magnetic flux	—	—	no limit	Gauss

NOTICE

Absolute maximum ratings are the extreme limits the device will momentarily withstand without damage to the device. Electrical and mechanical characteristics are not guaranteed if the rated voltage and/or currents are exceeded, nor will the device necessarily operate at absolute maximum ratings.

NOTICE

NOTICE

The magnetic field strength (Gauss) required to cause the switch to change state (operate and release) will be as specified in the magnetic characteristics. To test the switch against the specified limits, the switch must be placed in a uniform magnetic field.

Figure 1. Magnetic Performance vs Temperature ($V_{supply} = 12\text{ Vdc}$)

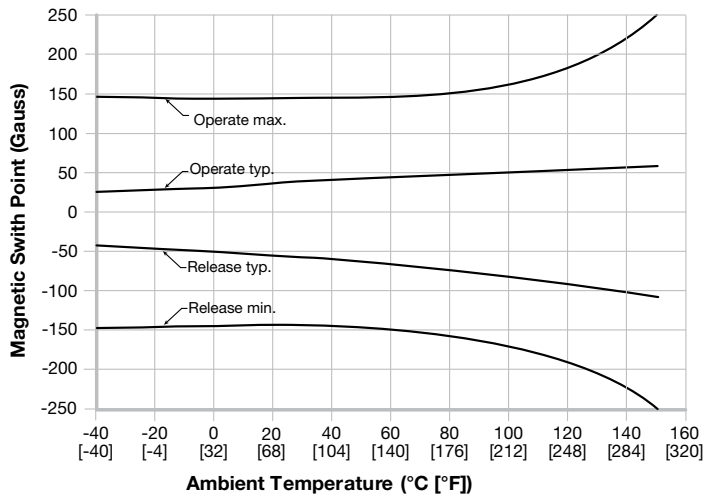


Figure 2. Current Sinking Output Block Diagram

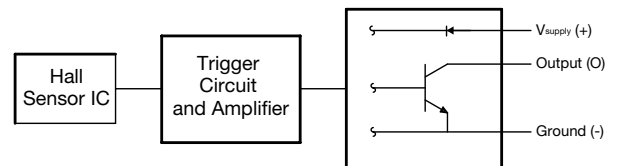


Figure 3. Wiring Diagrams

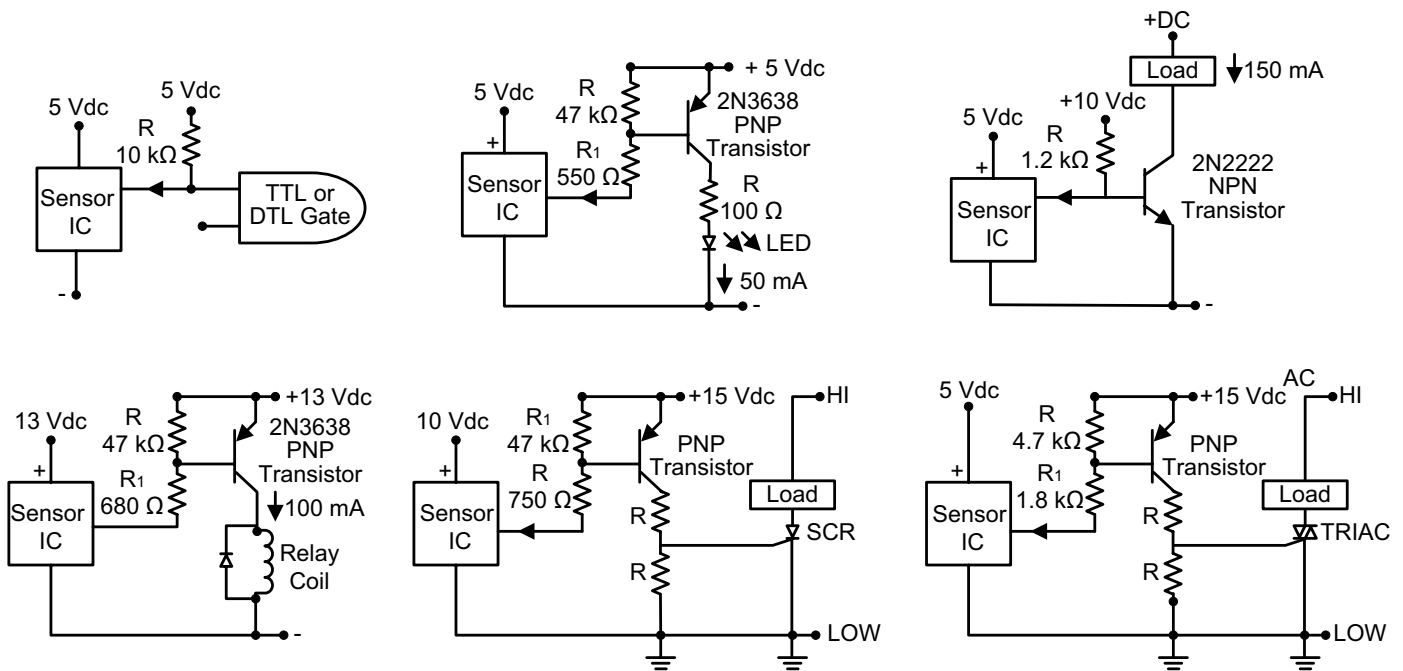
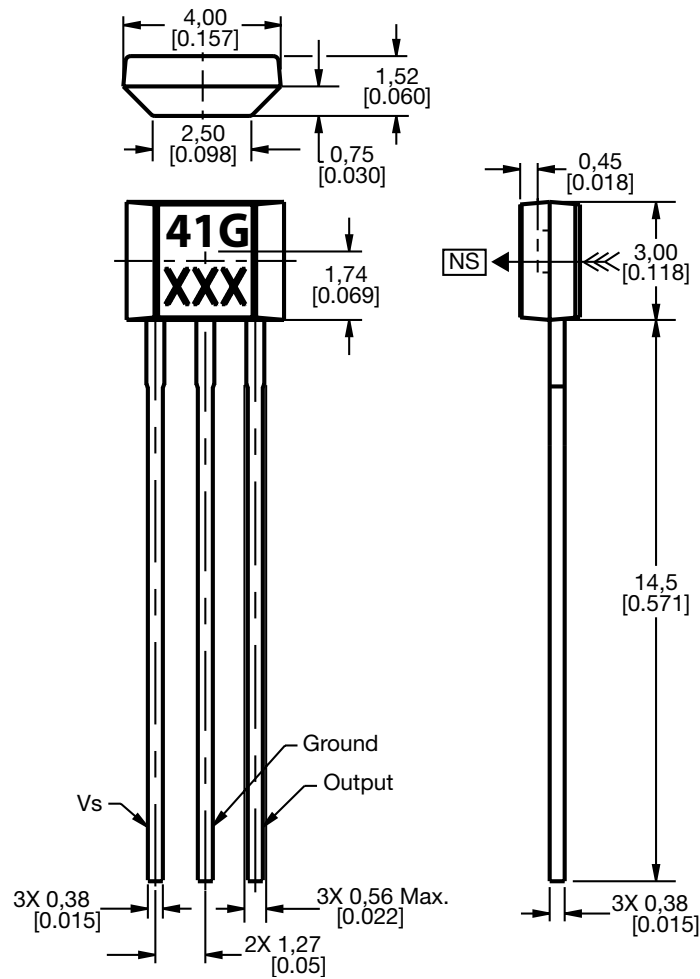


Figure 4. Sensor IC Mounting Dimensions (For reference only. mm/in.)



⚠ WARNING

PERSONAL INJURY

DO NOT USE these products as safety or emergency stop devices or in any other application where failure of the product could result in personal injury.

Failure to comply with these instructions could result in death or serious injury.

WARRANTY/REMEDY

Honeywell warrants goods of its manufacture as being free of defective materials and faulty workmanship. Honeywell's standard product warranty applies unless agreed to otherwise by Honeywell in writing; please refer to your order acknowledgment or consult your local sales office for specific warranty details. If warranted goods are returned to Honeywell during the period of coverage, Honeywell will repair or replace, at its option, without charge those items it finds defective. **The foregoing is buyer's sole remedy and is in lieu of all other warranties, expressed or implied, including those of merchantability and fitness for a particular purpose. In no event shall Honeywell be liable for consequential, special, or indirect damages.**

While we provide application assistance personally, through our literature and the Honeywell web site, it is up to the customer to determine the suitability of the product in the application.

Specifications may change without notice. The information we supply is believed to be accurate and reliable as of this printing. However, we assume no responsibility for its use.

Honeywell serves its customers through a worldwide network of sales offices, representatives and distributors. For application assistance, current specifications, pricing or name of the nearest Authorized Distributor, contact your local sales office or:

E-mail: info.sc@honeywell.com

Internet: sensing.honeywell.com

Phone and Fax:

USA/Canada +1-800-537-6945

International +1-815-235-6847; +1-815-235-6545 Fax