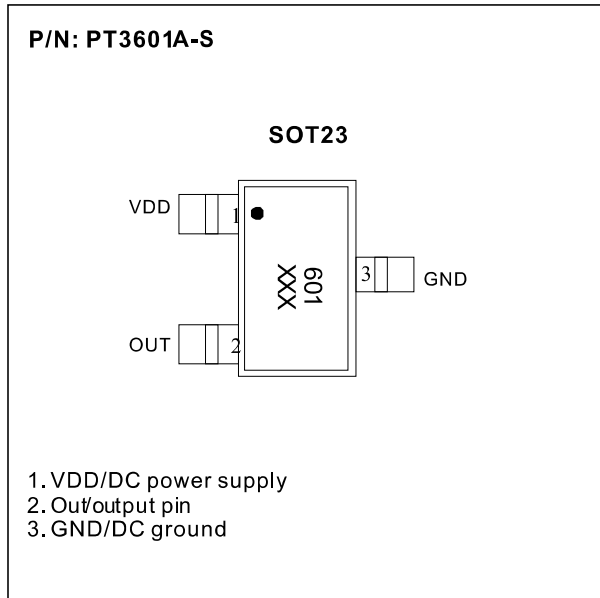


### Package: SOT-23



The PT3601A is designed for magnetic actuating using a bipolar magnetic field. The built-in dynamic offset cancellation of pre-amplifier stage achieves optimal symmetrical magnetic sensing. This Hall effect IC is optimal for DC brushless motor application. The supply voltage range is from 2.5V to 18V and maximum output current is 25mA.

### Specifications

#### Absolute Maximum Ratings (Ta=25°C)

Parameter	Symbol	Conditions	Rating	Units
Maximum supply voltage	$V_{DDmax}$		18	V
Allowable power dissipation	$P_d$	SOT23	300	mW
Operating temperature	$T_a$		-40~+125	°C
Storage temperature	$T_s$		-50~+150	°C
Max. output current	$I_{OMAX}$		25	mA

\*: On 50mm x 50mm x 1.6mm glass epoxy board

### Key Features

- 2.5V~18V operation
- High sensitivity ;  $\pm 15G$
- Built-in dynamic offset cancellation
- High balance and low thermal drift magnetic sensing
- ESD protection to 8KV
- Open drain output

### Applications

- Brushless DC motor
- Tachometer
- Cover detection
- Fluid level detection