

■ **Product Picture**



JZS-3528SRC-L13



■ **Descriptions&Features**

- ◆ TOP LED Type 3528
- ◆ Size (mm): 3.5*2.8*3.2
- ◆ Emitting Color: Super Red
- SMT package
- Suitable for all SMT assembly and soldering method
- Pb-free Reflow soldering application
- Illuminations
- Mobile Phones
- ESD2000V

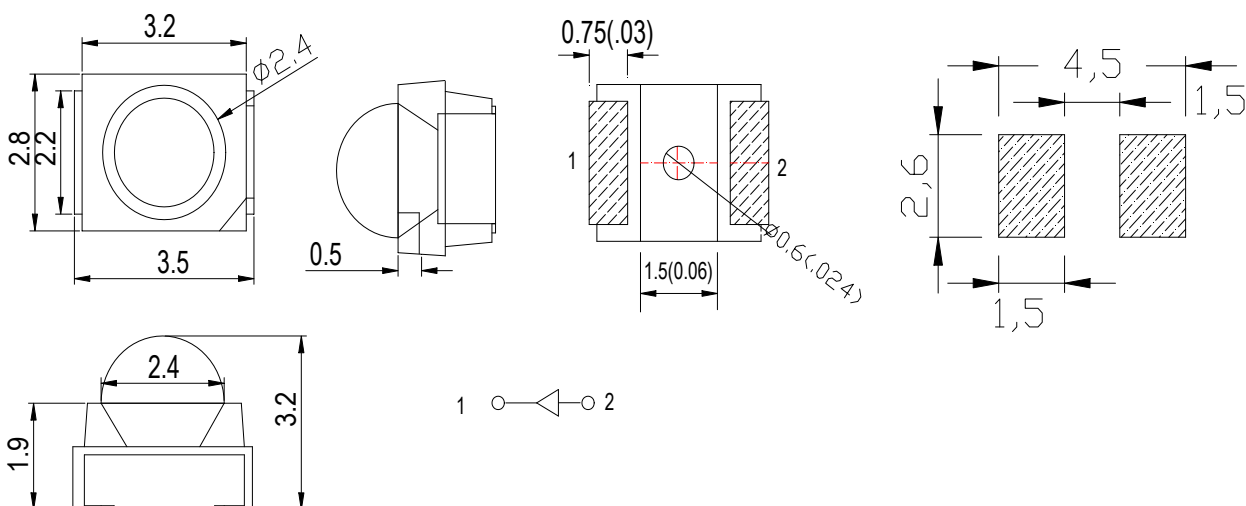
■ **Absolute Maximum Ratings**

Items	Symbol	Absolute maximum Rating	Unit
Forward Current(DC)	IF	30	mA
Peak Forward Current*	IFP	100	mA
Reverse Voltage	VR	5	V
Operation Temperature	Topr	-40+85	°C
Storage Temperature	Tstg	-40+100	°C
Electrostatic Discharge	ESD	2000(HBM)	

■ **Electrical and optical characteristics (Ta=25°C)**

Part No	Emitting Color	Chip Material	Forward Voltage	Luminous Intensity (Typ)	Dominant Wavelength (Chromatic Coordinates)	Viewing Angle
			IF=20mA			
JZS-3528SRC-L13	Super Red	AlGaInP	1.8-2.3V	2500-3000mcd	620-630nm	30

■ **Package Dimensions**

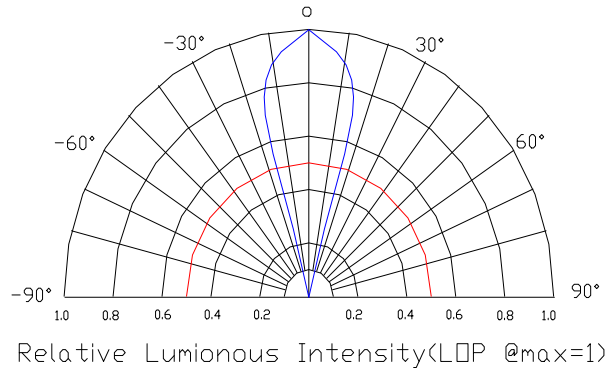
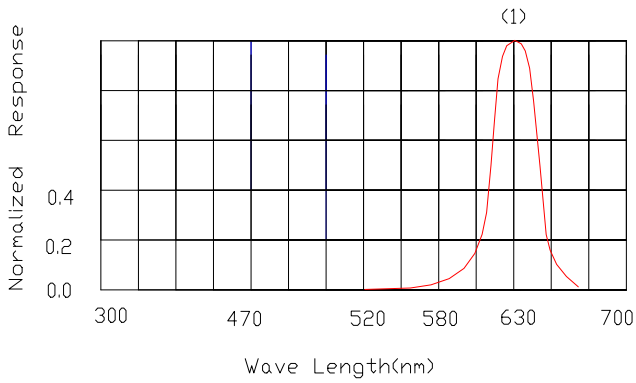


Notes

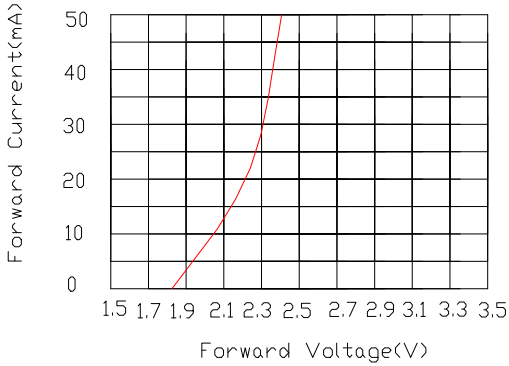
1. All dimensions are in millimeters.
2. Tolerance is ±0.5 mm unless otherwise specified.

■ Typical Eletrical/Optical Characteristics Curves(Ta=25°C Unless Otherwise Noted)

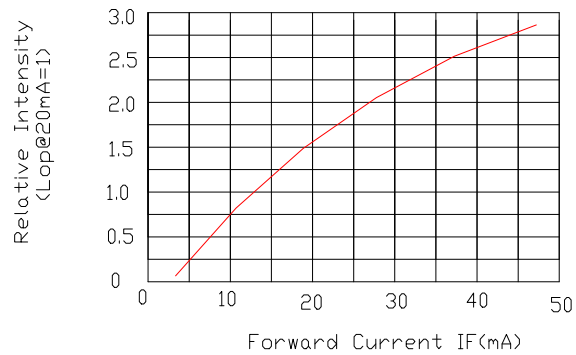
Spectral Reduance



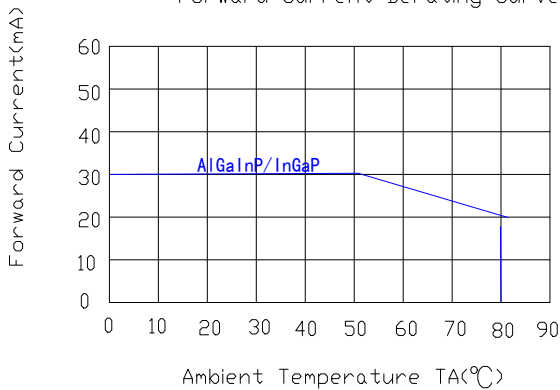
Forward Current Vs Forward Voltage



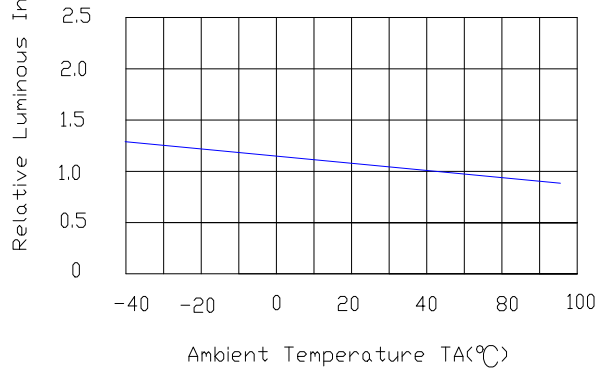
Relative Luminous intensity vs Forward current



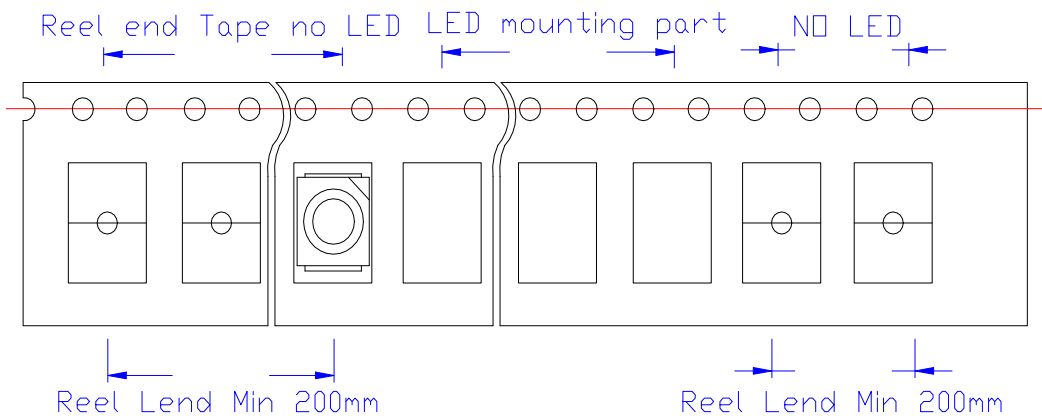
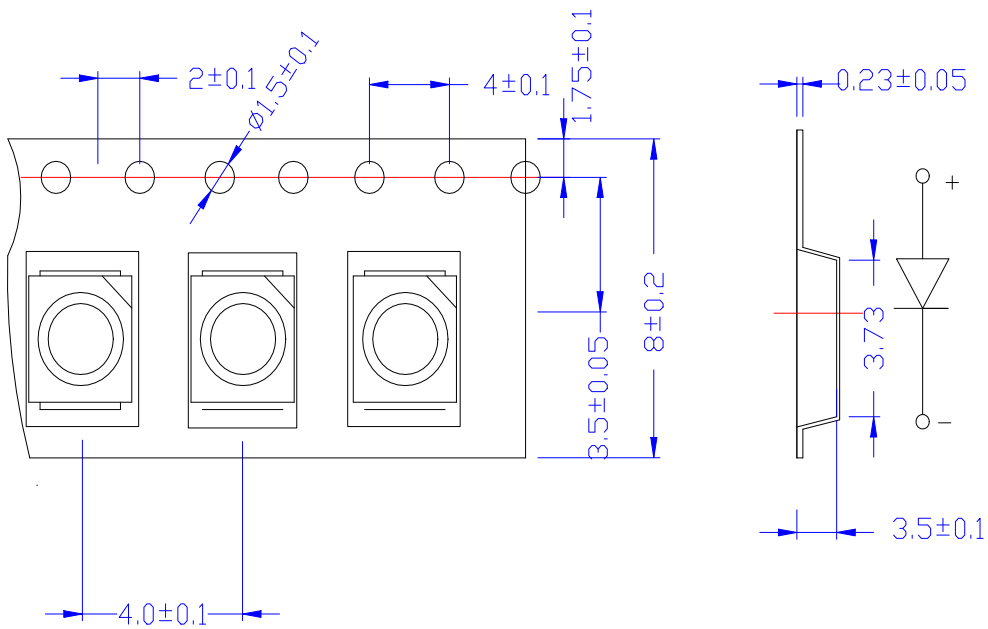
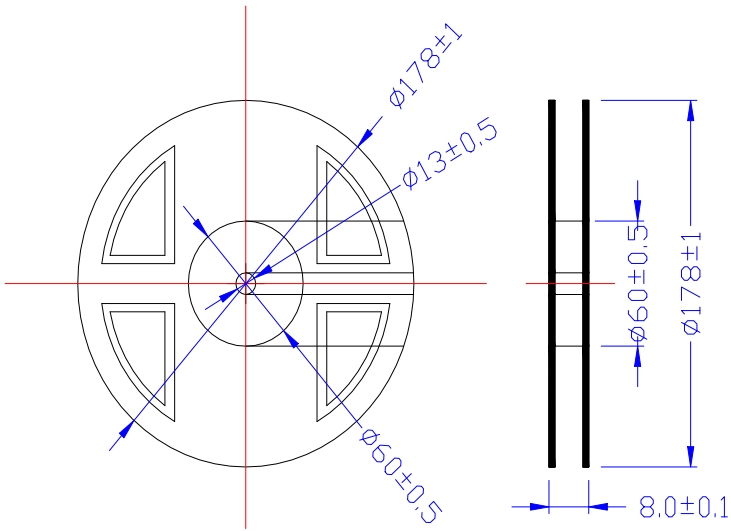
Forward Current Derating Curve



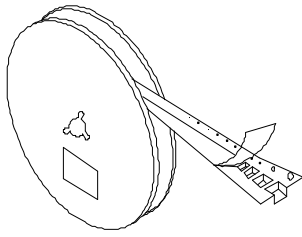
Luminous Intensity Vs. Ambient Temperature



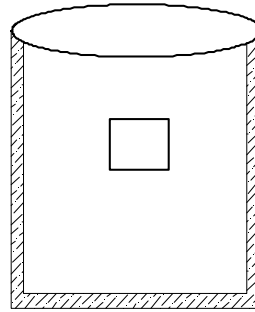
■ Packing Diagram



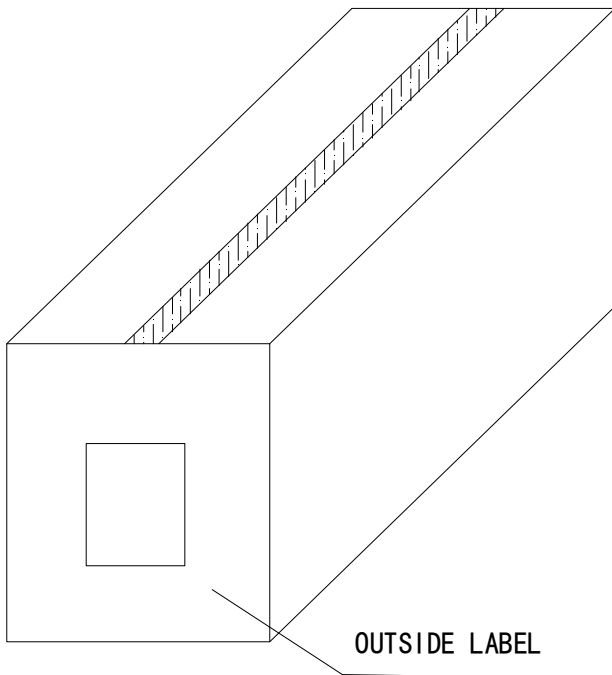
■ Packing Diagram



Reel

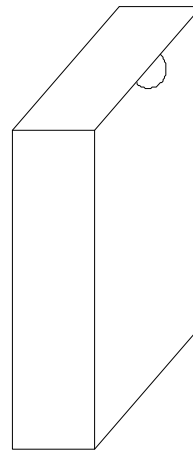


3528 2000/Reel



OUTSIDE LABEL

10 Boxes/Carton



5 Reels /Box

LED

PN: JZS-3528XX-XX


Qty:XXXXX PCS

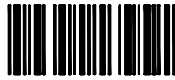
Date:xxxx/xx/xx

GW: XX KG

NW: XX KG




QC: 



XXXXXXXXXX

OUTSIDE LABEL

■ Precautions for use:

1. Storage

To prevent moisture absorption into SMD LEDs during the transportation and storage , the LEDs are packed in a moisture-barrier bag. Desiccants and a humidity indicator are packed together with the LEDs as secondary protection

The shelf life of LEDs stored in the original sealed bag at <math> <40^{\circ}\text{C}</math> and <math> <90\% \text{ RH}</math> is 12 months. Baking is required if the shelf life has expired

Before opening the packaging , check for air leaks in the bag.

After the bag is opened, the SMD LEDs must be stored at <math> <30^{\circ}\text{C}</math> and <math> <60\% \text{ RH}</math>. Under these conditions, SMD LEDs must be used within 24 hours. If the LEDs are not within 24 hours after removal from the bag , baking is required Take the material out of the packaging bag before baking. Do not open the oven door frequently during the baking process.

2. Soldering

(1) Manual soldering with a soldering Iron

Use a soldering iron of less than 25 watts is recommended . The iron temperature must be kept below 315°C And soldering time no more than 2 seconds.

The epoxy resin of an SMD LED should not contact the tip of the soldering iron.

No mechanical stress should be exerted on the resin portion of an SMD LED during :

Handling of an SMD LED should be done only when the package has been cooled down to below 40°C

(2)Reflow soldering

Temperature profile

Reflow Soldering Profile For Lead_free SMT Process.

