

PRODUCT SPECIFICATION

Model No.: FYL-5014UBC1C-1MA-TR13

| Descriptions: |
|--|
| <ul style="list-style-type: none"> ■ Dice material: InGaN. ■ Emitting Color: Super Bright Blue. ■ Device Outline: Φ5mm round type. ■ Lens Type: Water clear. |



| CUSTOMER APPROVED SIGNATURES | APPROVED BY | SALES BY | PREPARED BY |
|------------------------------|-------------|--|--|
| | | <div style="border: 1px solid red; padding: 2px; display: inline-block;"> Foryard S011 2020.02.19 </div> | <div style="border: 1px solid red; border-radius: 50%; padding: 5px; display: inline-block;"> Foryard E001 2020.02.19 </div> |

NINGBO FORYARD OPTOELECTRONICS CO.,LTD

Add:No. 666 Jinghua Road, Hi-tech Park, Ningbo, Zhejiang, China

Zip:315103

Tel: 0086-574-87933652 87927870 87922206

Fax: 0086-574-87927917

E-mail:Sales@foryard.com (General)

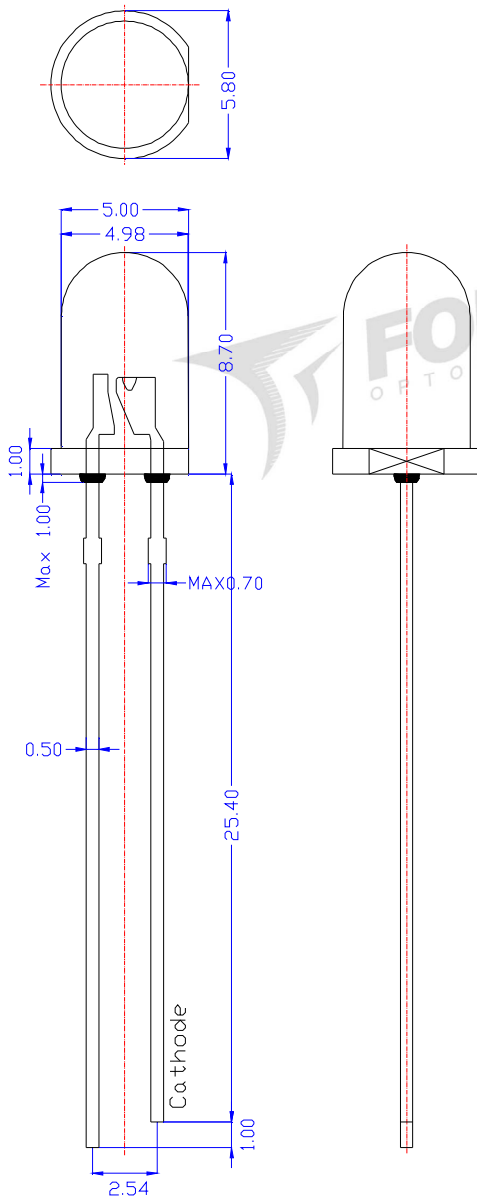
[Http://www.foryard.com](http://www.foryard.com)

Model No.: FYL-5014UBC1C-1MA-TR13

Features

- 1.Low power consumption.
- 2.High efficiency.
- 3.General purpose leads.
- 4.High intensity.
- 5.RoHs compliant.

Package configuration



Notes:

1. All dimensions are millimeters
2. Tolerance is $\pm 0.25\text{mm}(.010\text{'})$ unless otherwise noted.
3. The specifications, characteristics and technical data described in the datasheet are subject to change without prior notice.

Model No.: FYL-5014UBC1C-1MA-TR13

■ Absolute Maximun Ratings(Ta=25° C)

| Parameter | MAX. | Unit |
|---|---------------------|-------|
| Power Dissipation | 90 | mW |
| Peak Forward Current (1/10 Duty Cycle, 0.1ms Pulse Width) | 100 | mA |
| Continuous Forward Current | 25 | mA |
| Derating Linear From 50°C | 0.4 | mA/°C |
| Reverse Voltage | 5 | V |
| Operating Temperature Range | -20°C to +85°C | |
| Storage Temperature Range | -30°C to +100°C | |
| Lead Soldering Temperature[4mm(.157") From Body] | 260°C for 5 Seconds | |

■ Typical Electrical &Optical Charcteristics(Ta=25°C)

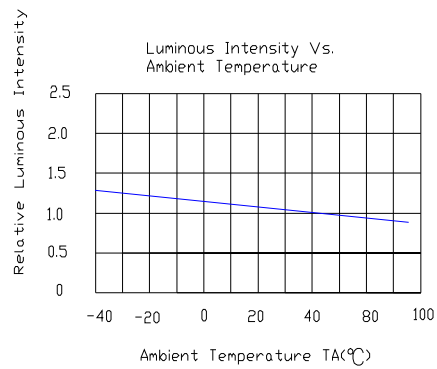
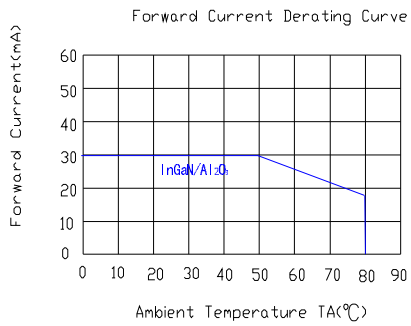
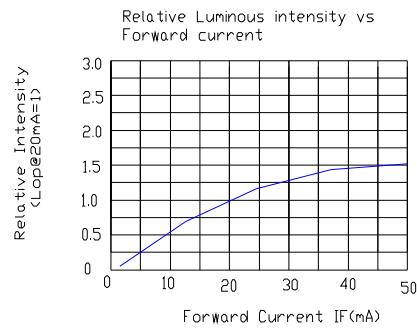
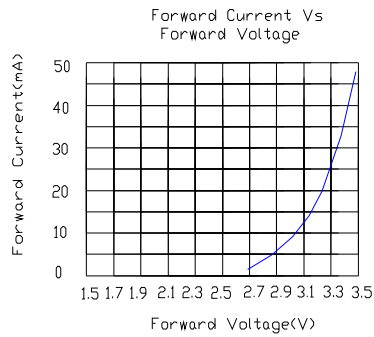
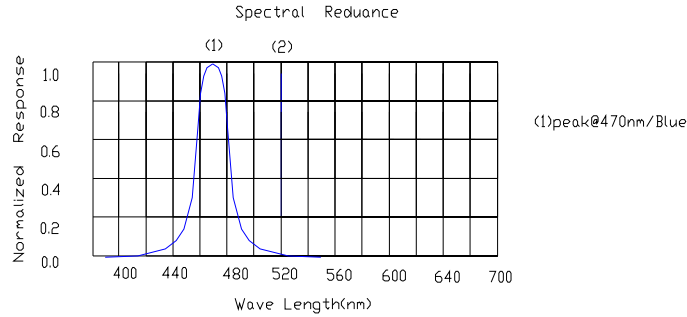
| Parameter | Symbol | Min. | Typ. | Max. | Unit | Test Condition |
|--------------------------|-----------------|------|------|------|---------|----------------|
| Luminous Intensity | I_v | 600 | 1200 | - | mcd | IF=1mA |
| Viewing Angle | $2\theta_{1/2}$ | - | 10 | - | Deg | |
| Peak Emission Wavelength | λ_p | - | 470 | - | nm | |
| Dominant Wavelength | λ_d | 460 | 469 | 476 | nm | |
| Spectral Line Half-Width | $\Delta\lambda$ | - | 30 | - | nm | |
| Forward Voltage | V_F | 2.3 | 2.8 | 3.2 | V | VR=5V |
| Reverse Current | I_R | - | - | 10 | μA | |

Note:

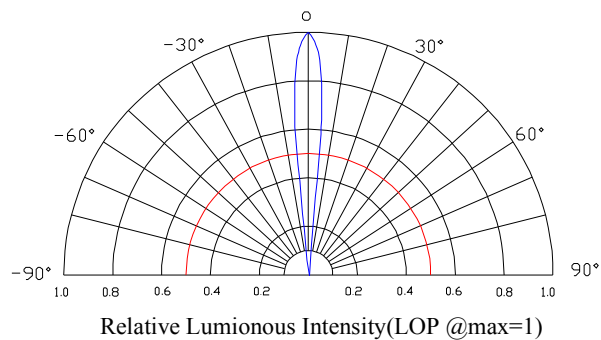
- 1.Luminous Intensity is based on the Foryard standards.
- 2.Pay attention about static for InGaN

Model No.: FYL-5014UBC1C-1MA-TR13

Typical Eletrical/Optical Characteristics Curves(Ta=25° C Unless Otherwise Noted)

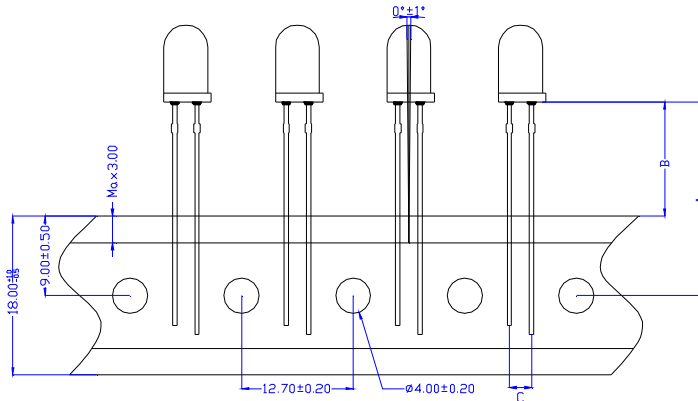


Radiation pattern.

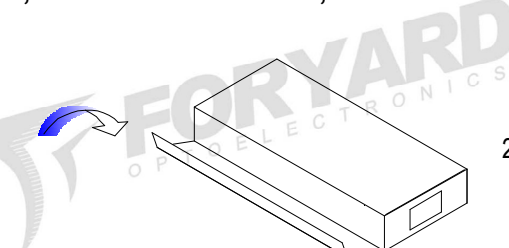
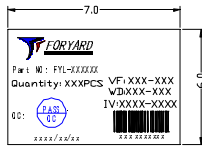
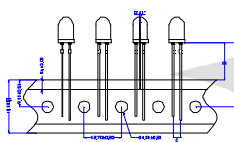


Model No.: FYL-5014UBC1C-1MA-TR13

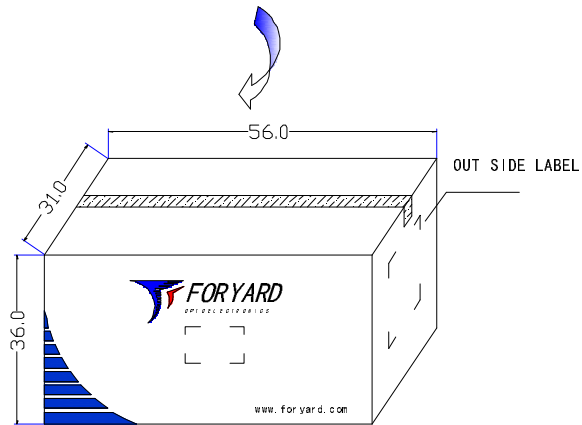
REEL PACKING.



A:22.00mm±0.5mm, B:13.00±0.5mm, C:2.54mm±0.05mm



2000PCS/Box



12 boxes/carton



Note: The specifications are subject to change without notice. Please contact us for updated information.