



健隆投資有限公司
STRONG BASE INVESTMENT LTD.

Unit 17, 11/F., Hewlett Centre, 52-54 Hoi Yuen Road, Kwun Tong, Kowloon, Hong Kong.
Tel: (852) 2793 3293 Fax: (852) 2793 3096



Approval Sheet
(確認書)

編號 Ref. No.	
日期 Issued Date	2015-10-28

公司名稱 : _____
Company Name

產品編號 : 304HD-7
Part No.

產品種類 : LED-LAMP
Category

產品描述 : 3MM/ HIGH BRIGHT ORANGE , ORANGE DIFFUSED
Description

客戶產品編號 : _____
Customer No.

備注 : _____
Remarks

STRONG BASE			
ISSUER	APPROVER	CHECKER	ENGINEER
	朱美丽	叶楠	高雪

Authorized Signature 客戶簽字				
部門 Department				
簽字 Signature				

工廠名稱: 宇之亮電子(深圳)有限公司
工廠地址: 廣東省深圳市龍崗區橫崗鎮荷坳村金源工業區
Company Name: Pretty Light (Shen Zhen) Limited
Factory Address: jin-Yuan, Industrial Zone He-Ao Cun, Heng-Gang
Zhen Long-Gang Area, Shen-Zhen City,
TEL: (755) 8976 7303 2862 5421 FAX: (755) 89767754 89767566

PART NO. : 3O4HD-7

DATE : 3 February 2016

3MM/ HIGH BRIGHT ORANGE, ORANGE DIFFUSED

SPECIFICATION

ABSOLUTE MAXIMUM RATING (Ta=25°C)

Item	Symbol	Rating	Unit
Power Dissipation	P _D	80	mW
Forward Current	I _F	20	mA
Peak Forward Current (1/10 Duty Cycle, 0.1 ms Pulse Width)	I _{FP}	100	mA
Reverse Voltage	V _R	5	V
Operating Temperature	T _{opr}	-40~+80	°C
Storage Temperature	T _{stg}	-40~+80	°C

ELECTRICAL/OPTICAL CHARACTERISTICS RATING (Ta=25°C)

Item	Symbol	Test Conditions	Rating			Unit
			Min.	Typ.	Max.	
Forward Voltage	V _F	I _F =20mA	1.8	2.1	2.8	V
Reverse Current	I _R	V _R =5V	---	---	10	μA
Luminous Intensity	I _V	I _F =20mA	---	30	---	mcd
Dominant Wave Length	λ _d	I _F =20mA	---	605	---	nm
Viewing Angle 2θ _{1/2}	2θ _{1/2}	I _F =20mA	35°			deg.

Notes:-

1) θ_{1/2} is the off-axis angle where the luminous intensity is half the optical centerline value.

Soldering Conditions : Soldering Temp. ≤ 260°C

Soldering Time ≤ 5 Sec.



Caution : ESD protection measures shall be considered and taken in the initial design stage, because static electricity and surge could damage the LED.

A wrist band or an anti-electrostatic glove should be used when handling Electrostatic Sensitive Devices.

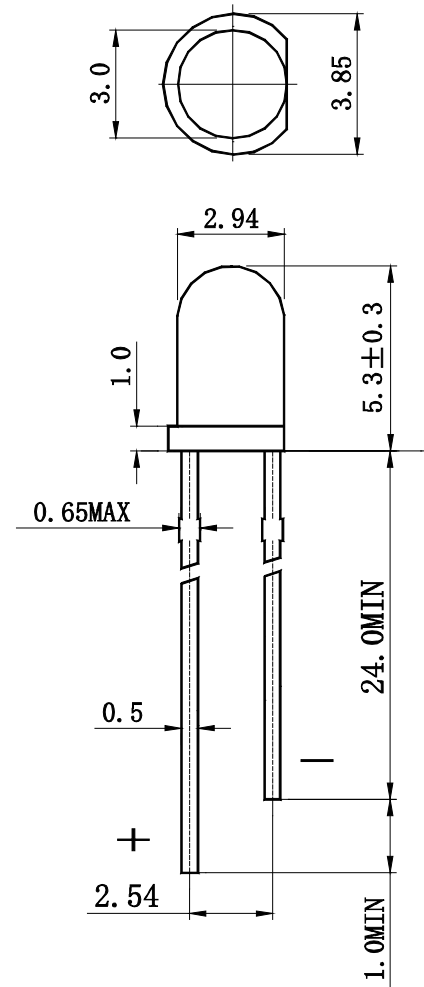
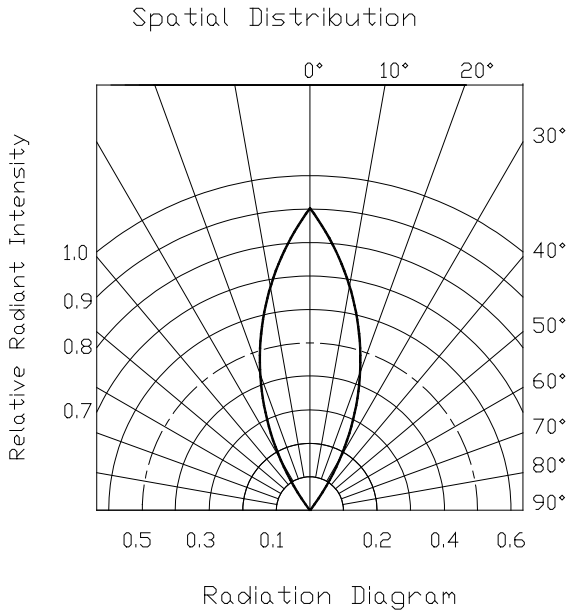


PART NO. : 3O4HD-7

DATE : 3 February 2016

3MM/ HIGH BRIGHT ORANGE, ORANGE DIFFUSED

PACKAGE DIMENSION



Tolerance: ± 0.25(0.01)

Unit: mm(inch)

Item	Materials
Resin(Mold)	Epoxy Resin
Lead Frame	Copper Alloy

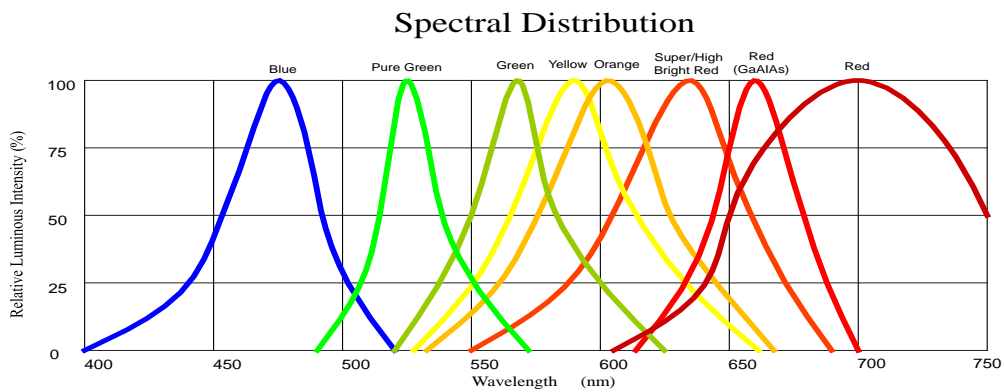
Part Number	Emitting Color	Lens Type
3O4HD-7	ORANGE	ORANGE DIFFUSED

PART NO. : 3O4HD-7

DATE : 3 February 2016

3MM/ HIGH BRIGHT ORANGE, ORANGE DIFFUSED

Typical Electrical/Optical Characteristics Curves



(25°C) Ambient Temperature Unless Otherwise Noted

Fig.1 Forward Current Derating Curve

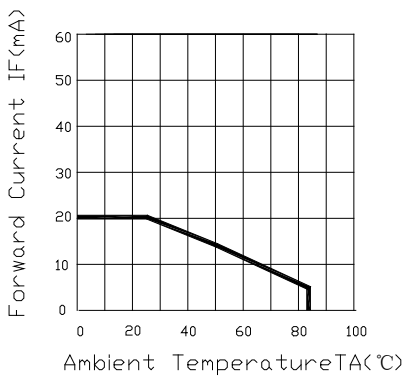


Fig.2 Forward current vs Forward Voltage

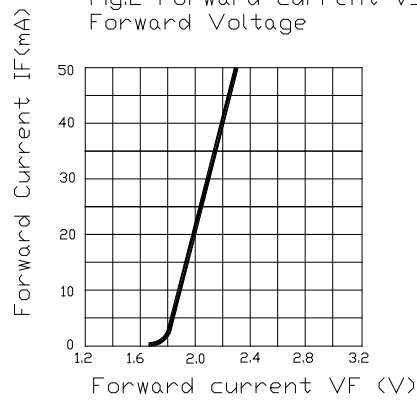


Fig.3 Luminous Intensity vs Ambient Temperature

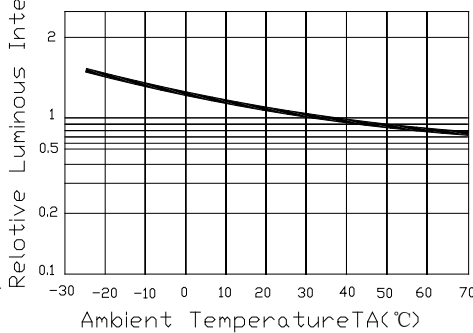


Fig.4 Luminous Intensity vs Forward current

