

PRODUCT SPECIFICATION

Model No.: FYL-5463PUYC1B-TR12A

Descriptions:
■ Dice material: AlGaInP.
■ Emitting Color: Super bright Yellow.
■ Device Outline: $\Phi 5 \times 4$ mm ellipse type.
■ Lens Type: Water clear.



CUSTOMER APPROVED SIGNATURES	APPROVED BY	SALES BY	PREPARED BY
		<div style="border: 1px solid red; padding: 5px; display: inline-block;"> Foryard S011 2018.06.27 </div>	<div style="border: 1px solid red; border-radius: 50%; padding: 10px; display: inline-block;"> Foryard E001 2018.06.27 </div>

NINGBO FORYARD OPTOELECTRONICS CO.,LTD.

Add: NO.115 Qixin Road Ningbo Zhejiang China

Zip: 315051

Tel: 0086-574-87933652 87927870 87922206

Fax: 0086-574-87927917

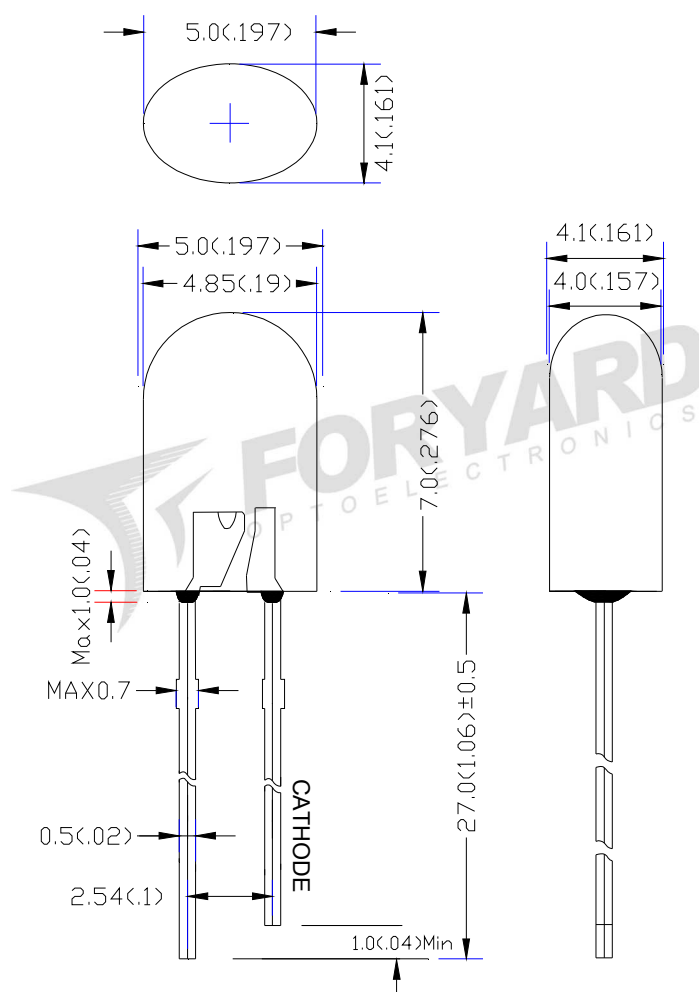
E-mail: Sales@foryard.com (General)

[Http://www.foryard.com](http://www.foryard.com)

■ Features

1. Low power consumption.
2. High efficiency.
3. General purpose leads.
4. High intensity.
5. RoHs compliant.

■ Package configuration



Notes:

1. All dimensions are millimeters (inches)
2. Tolerance is $\pm 0.25\text{mm} (.010\text{")}$ unless otherwise noted.
3. The specifications, characteristics and technical data described in the datasheet are subject to change without prior notice.

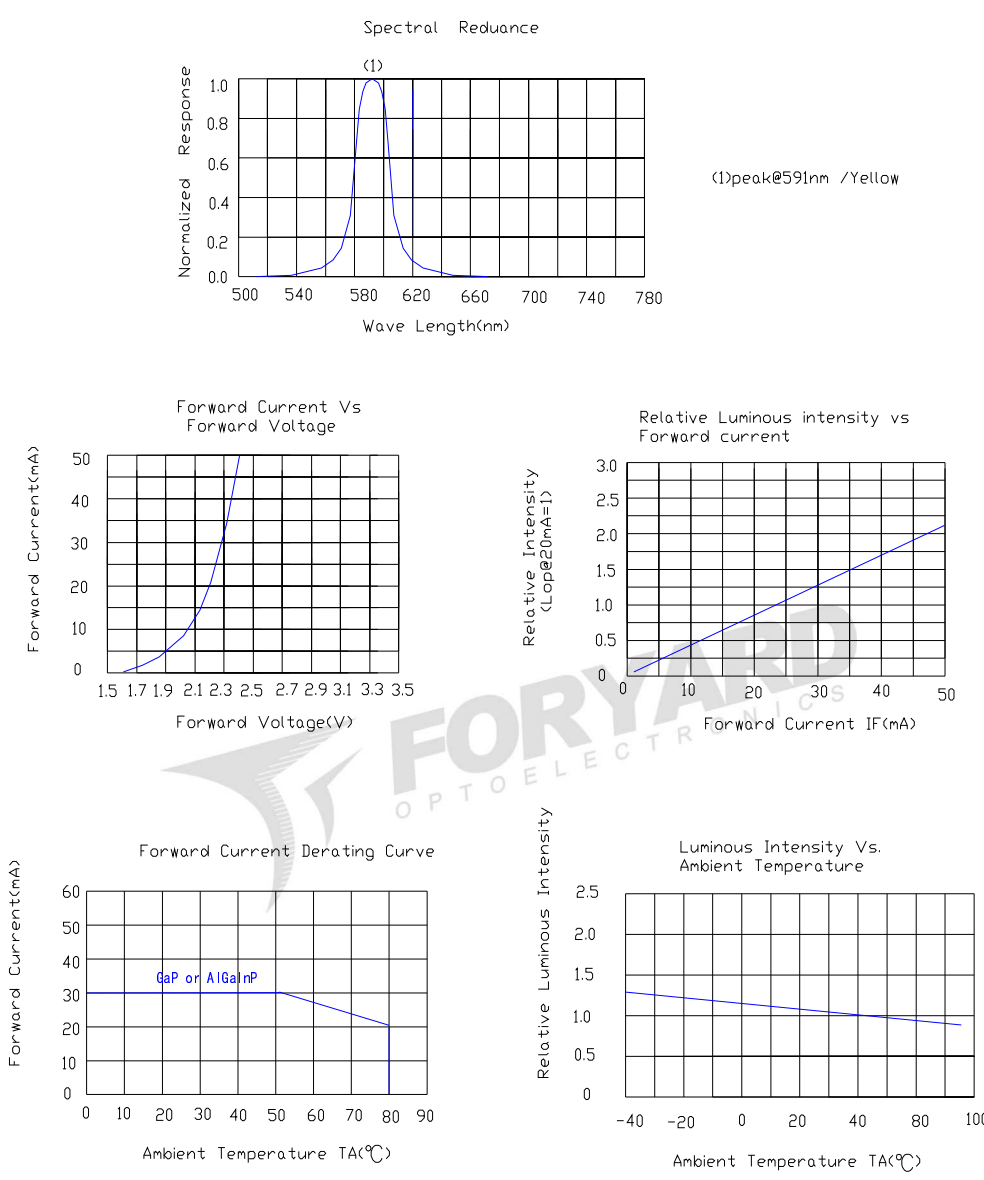
■ Absolute maximum ratings($T_a=25^{\circ} \text{ c}$)

Parameter	MAX.	Unit
Power Dissipation	75	mW
Peak Forward Current (1/10 Duty Cycle, 0.1ms Pulse Width)	100	mA
Continuous Forward Current	30	mA
Derating Linear From 50°C	0.4	mA/°C
Reverse Voltage	5	V
Operating Temperature Range	-40°C to +85°C	
Storage Temperature Range	-40°C to +100°C	
Lead Soldering Temperature[4mm(.157") From Body]	260°C for 5 Seconds	

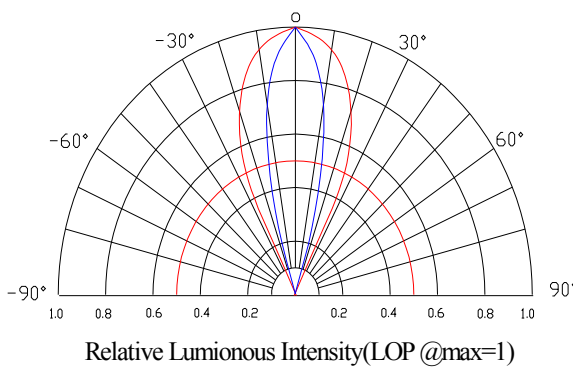
■ Electrical and optical characteristics($T_a=25^{\circ} \text{ c}$)

Parameter	Symbol	Min.	Typ.	Max.	Unit	Test Condition
Luminous Intensity	I_v	3000	4700	-	mcd	$I_f=20\text{mA}$
Viewing Angle	$2\theta_{1/2}$	X	55	-	Deg	
		Y	20			
Peak Emission Wavelength	λ_p	-	591	-	nm	
Dominant Wavelength	λ_d	588	590	594	nm	
Spectral Line Half-Width	$\Delta\lambda$	-	20	-	nm	
Forward Voltage	V_F	1.9	2.1	2.3	V	
Reverse Current	I_R			10	μA	$V_R=5\text{V}$

■ **Typical Electrical Characteristics Curves**
(25 °c Ambient Temperature Unless Otherwise Noted)

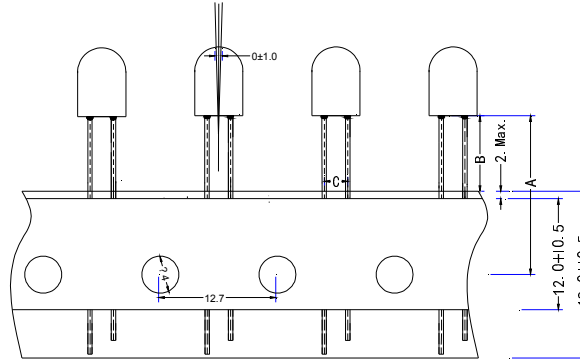


Radiation pattern.



Model No.	FYL-5463PUYC1B-TR12A
Date / Rev.	2018.06.27 / A

■ Ammo packs drawing.



A:21.0mm±0.5mm, B:12.0±0.5mm, C:2.54mm±0.05mm

■ Packaging box for ammo packs.

