

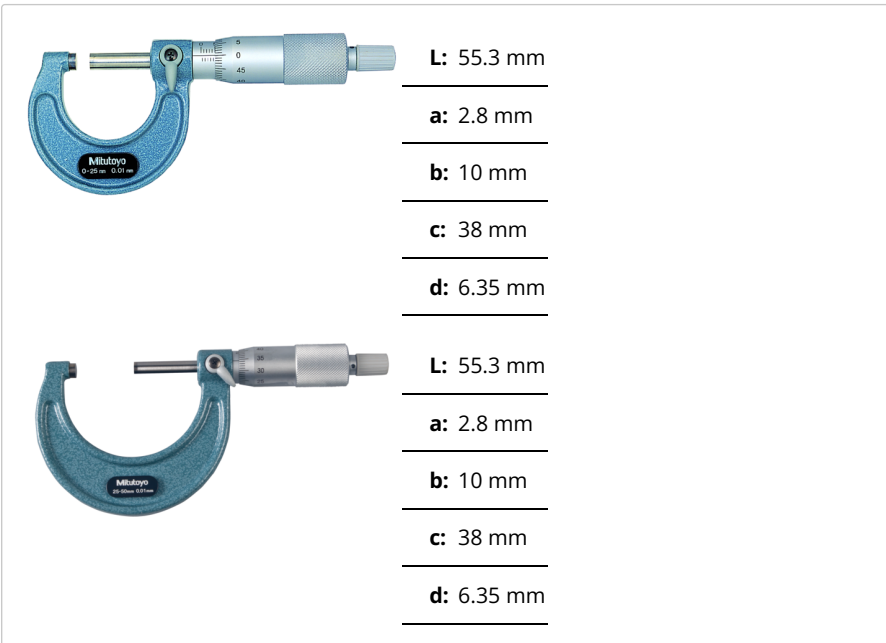


## Outside Micrometer Economy Design

Item number: 103-138



### Images



### Description

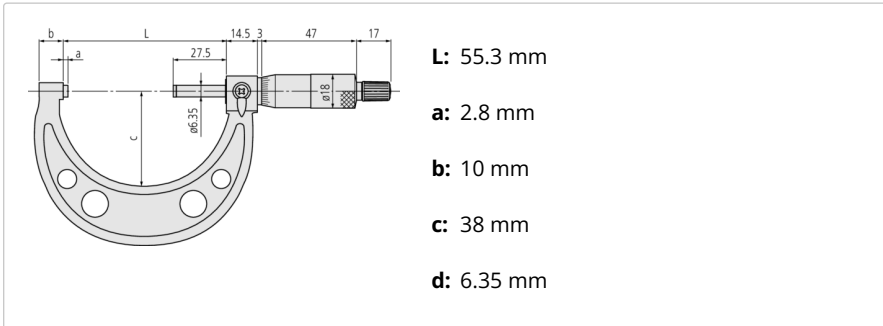
A Mitutoyo basic, cost effective, non-digital micrometer with a ratchet stop to guarantee repeatable measurement.

### Features

<b>Digital/Analog:</b>	Analog
<b>Inch-Metric:</b>	Metric
<b>Range:</b>	25-50 mm
<b>Graduation:</b>	0,01 mm
<b>Maximum Permissible Error J MPE:</b>	$\pm 2 \mu\text{m}$
<b>Flatness:</b>	$0,6 \mu\text{m}$
<b>Parallelism:</b>	$2 \mu\text{m}$
<b>Measuring spindle:</b>	With spindle lock, $\varnothing 6,35 \text{ mm}$ ( $\leq 300 \text{ mm}$ ) $\varnothing 8 \text{ mm}$ ( $> 300 \text{ mm}$ ) , spindle pitch 0,5 mm
<b>Scale:</b>	Thimble and sleeve satin chrome finish, $\varnothing 18 \text{ mm}$
<b>Measuring force:</b>	5 - 10 N

<b>Measuring force:</b>	5-10 N (from 100 mm upward : 5-15 N)
<b>Delivered:</b>	Including box, setting standard (from 25 mm upward), key, certificate of inspection (0-50 mm range)
<b>Mass:</b>	215 g

### Dimensions



**L:** 55.3 mm

**a:** 2.8 mm

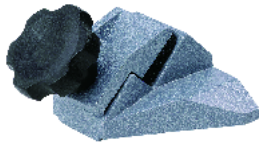
**b:** 10 mm

**c:** 38 mm

**d:** 6.35 mm

### Accessories

#### Optional accessories:



#### Micrometer Stand, 45° Angle Type

for Micrometer 0-50mm/0-2"  
Art No. 156-105-10  
Suggested retail price: 56.00 €\*



#### Micrometer Stand, Adjustable Angle Type

for Micrometer 0-100mm/0-4"  
Art No. 156-101-10  
Suggested retail price: 68.00 €\*

#### Standard accessories:



## Micrometer Setting Standard

Length: 25mm

Art No. 167-101

Suggested retail price: 32.00 €\*  

---