

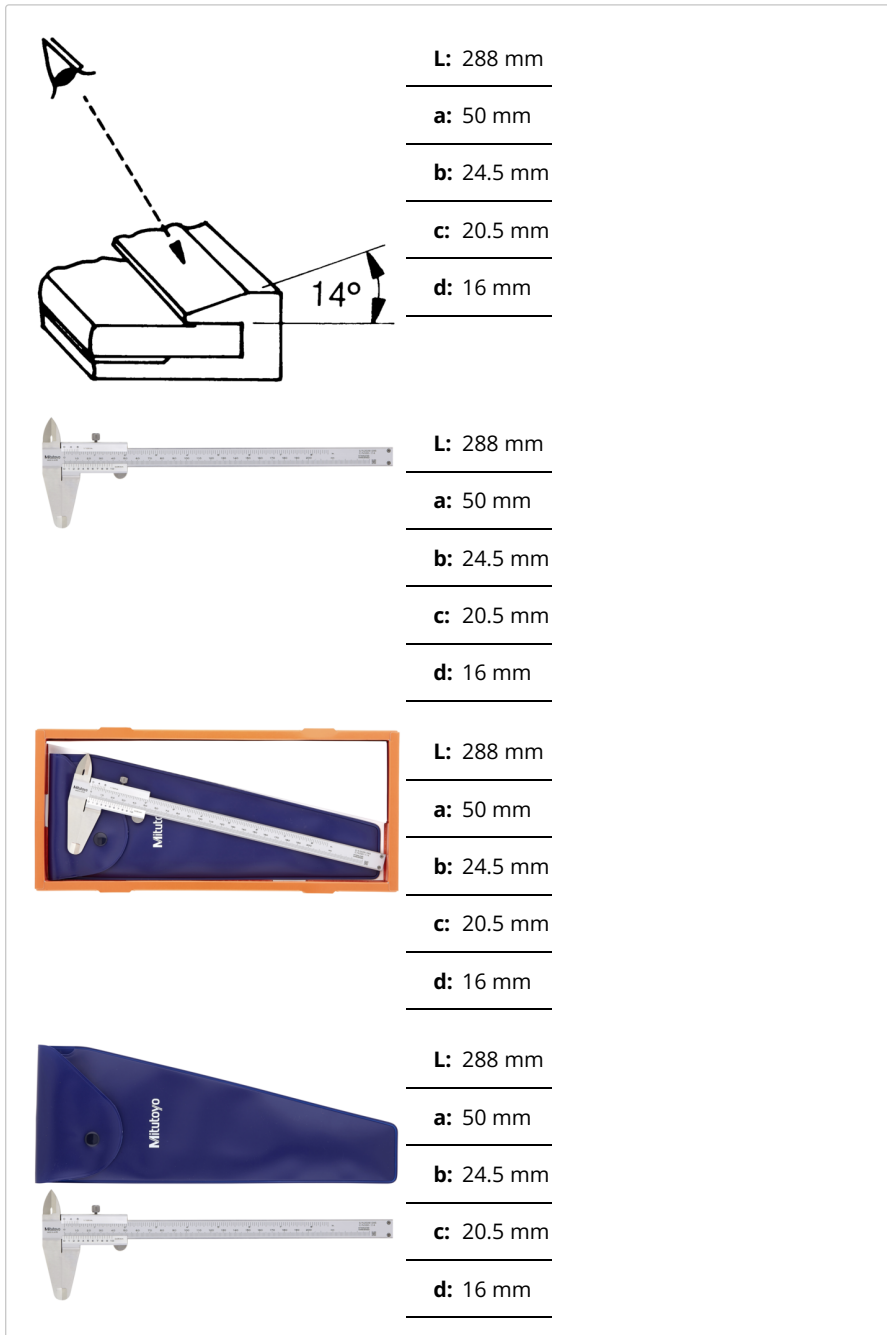
# Mitutoyo

## Vernier Caliper

Item number: 530-114



### Images



### Description

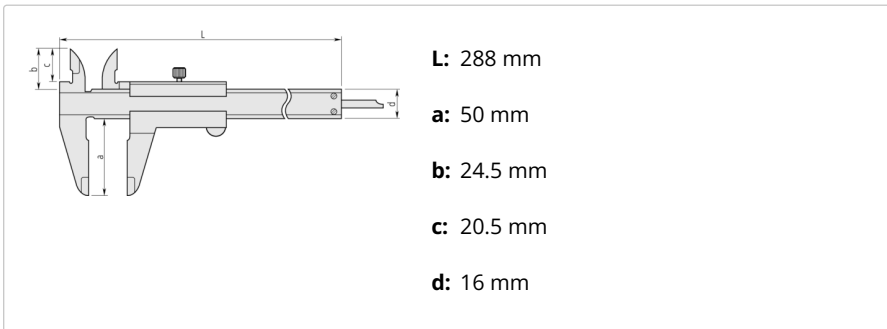
This is a standard type of vernier caliper that offers you the following benefits:

- Main scale and vernier scale satin chrome finish gives you high readability.
- Raised sliding surfaces.

### Features

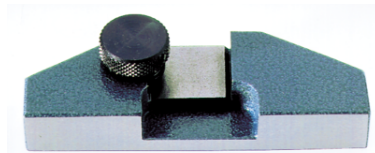
|                                      |            |
|--------------------------------------|------------|
| <b>With upper locking screw:</b>     | Yes        |
| <b>Range:</b>                        | 0 - 200 mm |
| <b>Depth bar:</b>                    | flat       |
| <b>Max. Permissible Error E MPE:</b> | ±0,05 mm   |
| <b>Max. Permissible Error S MPE:</b> | ±0,07 mm   |
| <b>Delivered:</b>                    | In a case  |
| <b>Mass:</b>                         | 180 g      |

### Dimensions



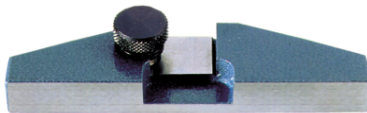
### Accessories

#### Standard accessories:



#### Depth Base Attachment for Caliper, 75mm width

75mm width for 100, 150, 200mm Range  
 Art No. 050083-10  
 Suggested retail price: 58.00 €\*



#### Depth Base Attachment for Caliper

100mm width for 100, 150, 200mm Range  
 Art No. 050084-10  
 Suggested retail price: 65.00 €\*