

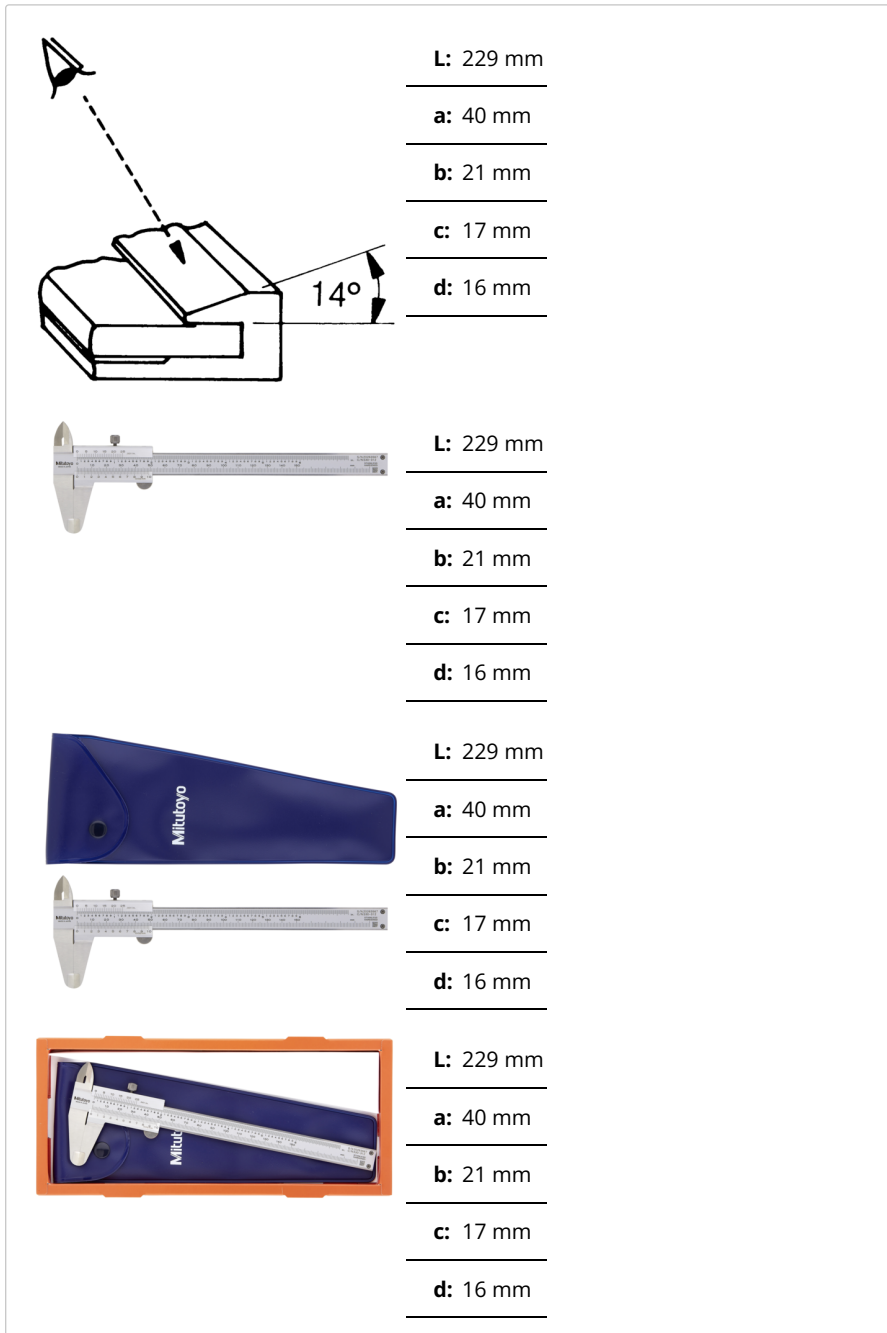
Mitutoyo

Vernier Caliper

Item number: 530-312



Images



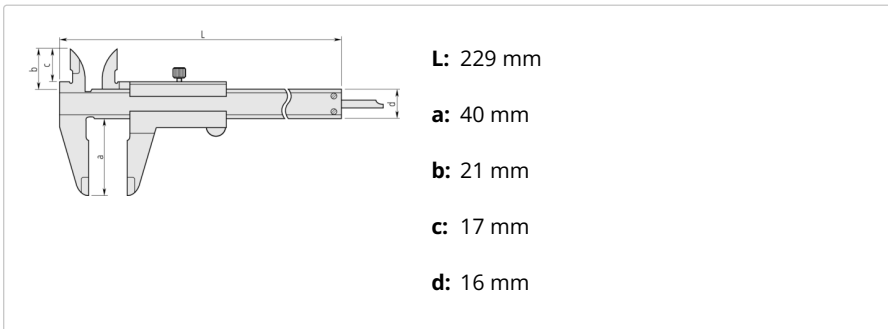
Description

A Mitutoyo dual-scale vernier caliper equipped with standard outside and inside jaws. Hardened stainless steel construction with easy-to-read, satin-chromed scales.

Features

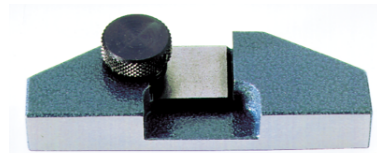
With upper locking screw:	Yes
Range:	0 - 150 mm
Depth bar:	flat
Max. Permissible Error E MPE:	$\pm 0,03$ mm
Max. Permissible Error S MPE:	$\pm 0,05$ mm
Delivered:	In a case
Mass:	143 g

Dimensions



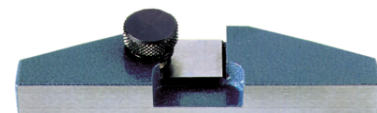
Accessories

Standard accessories:



Depth Base Attachment for Caliper, 75mm width

75mm width for 100, 150, 200mm Range
 Art No. 050083-10
 Suggested retail price: **58.00 €***



Depth Base Attachment for Caliper

100mm width for 100, 150, 200mm Range
 Art No. 050084-10
 Suggested retail price: **65.00 €***