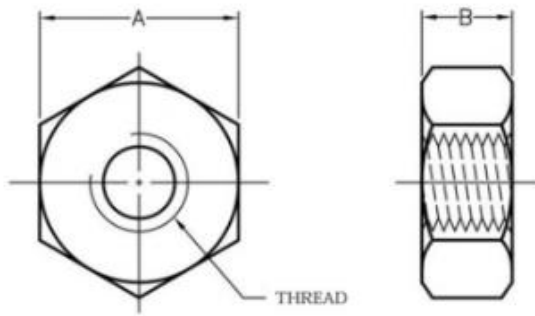


HEX NYLON NUT KLS8-0318-PN

Product Information



Nylon 66/Natural	Nylon 66/Black	PC/Transparent	A(mm)	B(mm)	THREAD	Material	Color	Packing
L-KLS8-0318-PNT-M2	L-KLS8-0318-PNT-M2B	L-KLS8-0318-PN-M2	4.0	1.4	M2X0.4P	Nylon 66	Natural	2000
L-KLS8-0318-PNT-M2.6	L-KLS8-0318-PNT-M2.6B	L-KLS8-0318-PN-M2.6	5.0	2.0	M2.6X0.45P	Nylon 66	Natural	2000
L-KLS8-0318-PNT-M3	L-KLS8-0318-PNT-M3B	L-KLS8-0318-PN-M3	5.5	2.7	M3X0.5P	Nylon 66	Natural	2000
L-KLS8-0318-PNT-M3.5	L-KLS8-0318-PNT-M3.5B	L-KLS8-0318-PN-M3.5	5.9	2.8	M3.5X0.6P	Nylon 66	Natural	2000
L-KLS8-0318-PNT-M4	L-KLS8-0318-PNT-M4B	L-KLS8-0318-PN-M4	6.9	3.3	M4X0.7P	Nylon 66	Natural	1000
L-KLS8-0318-PNT-M5	L-KLS8-0318-PNT-M5B	L-KLS8-0318-PN-M5	8.0	4.4	M5X0.8P	Nylon 66	Natural	1000
L-KLS8-0318-PNT-M6	L-KLS8-0318-PNT-M6B	L-KLS8-0318-PN-M6	10.0	5.0	M6X1.0P	Nylon 66	Natural	1000
L-KLS8-0318-PNT-M8	L-KLS8-0318-PNT-M8B		14.0	6.5	M8X1.25P	Nylon 66	Natural	1000
L-KLS8-0318-PNT-M10	L-KLS8-0318-PNT-M10B		17.0	8.0	M10x1.5P	Nylon 66	Natural	1000
L-KLS8-0318-PNT-M12	L-KLS8-0318-PNT-M12B		19.0	10.0	M12x1.75P	Nylon 66	Natural	1000
L-KLS8-0318-PNT-S4	L-KLS8-0318-PNT-S4B	L-KLS8-0318-PN-S4	6.4	2.5	4-40 UNC	Nylon 66	Natural	1000
L-KLS8-0318-PNT-S6	L-KLS8-0318-PNT-S6B	L-KLS8-0318-PN-S6	7.9	3.2	6-32 UNC	Nylon 66	Natural	1000