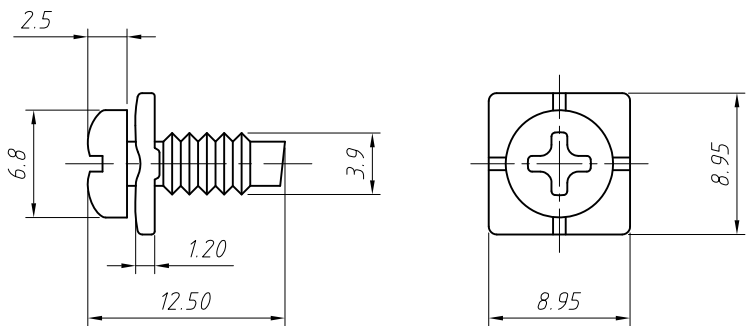


M5 Screw

L-KLS8-M5*13.5-12*12



M4 Screw

L-KLS8-M4*12.5-9*9

GENERAL TOLERANCE	PROJECTION		Description:
.X ±0.50	UNITS	mm	Screw
.X ±0.25	SCALE	2:1	
.XX ±0.10	Draw by:	Jenny	KLS P/N: L-KLS
ANGLE TOLERANCE	Check by:		NingBo KLS ELECTRONIC CO.,L TD.
.X ±5°	Date	2018-03-01	
.X ±3°	SHEET	1 OF 1	
.XX ±2°			