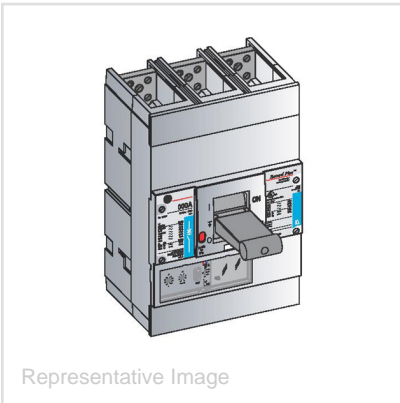


Ref. No. 435550 | Cat. No. FKN36NT100SF
Description: FKN 1250 Breaker Icu 50 kA/415VAC Ue 690VAC 3P 3trips - 1000A LTM
EAN 5050096355503
Home > Industrial Circuit Breakers > Moulded Case Circuit Breakers

Rated at 1250A, the FK frame size is designed for use with the FG400 and 630 frame sizes. The design allows the use of thermal-magnetic breaker(LT,ST). The FK connection area features easy-to-access busbar connections or cable plugs for use with single or multiple copper or aluminium conductors.


Descriptors

Category	Moulded Case Circuit Breakers
----------	-------------------------------

Specifications

Series	Circuit breaker (complete breaker)
In (A)	1000 A
Number of poles	3P
Trips	3 trips
Frame type	K frame (800A/1250 A/1600A)
Rating frame (A)	1250 A
Short-circuit capacity (kA)	Normal 50 kA
Trip Unit	Line protection (thermal magnetic)
Measurements	320x210x160 mm
Ui (V)	1000 V
Ir (A)	800-1000 A
IEC 230VAC	85 kA
IEC 400VAC	50 kA
IEC 440VAC	42 kA
IEC 500VAC	36 kA
IEC 690VAC	20 kA
IEC 690VAC Icu	20 kA
IEC 690VAC Ics	20 kA
IEC 250VDC	50 kA
IEC 440VDC	36 kA
IEC 500VDC	36 kA
NEMA 240V	85 kA
NEMA 480V	42 kA
Im (A)	5000-10000 A

Classifications

ETIM 5.0	EC000228 - Power circuit-breaker for trafo/generator/installation protection
----------	--

Classifications

ETIM 6.0	EC000228 - Power circuit-breaker for trafo/generator/installation protection
ETIM 7.0	EC000228 - Power circuit-breaker for trafo/generator/installation protection

Dimensions

Weight	18.000 kg
--------	-----------

Package Information

Standard packing	1
------------------	---