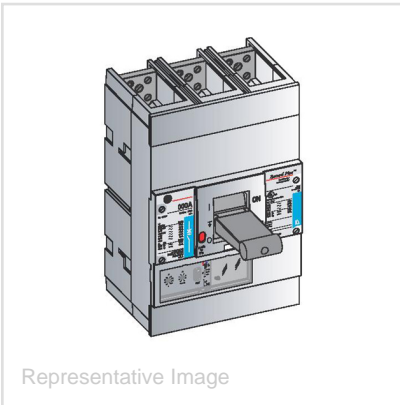


**Ref. No. 435336 | Cat. No. FKN36NT800PF**
**Description: FKN 800 Breaker Icu 50 kA/415VAC Ue 690VAC 3P 3trips - 800A LTM**
**EAN 5050096353363**
**Home > Industrial Circuit Breakers > Moulded Case Circuit Breakers**

Rated at 800A, the FK frame size is designed for use with the FG400 and 630 frame sizes. The design allows the use of thermal-magnetic breaker(LT,ST). The FK connection area features easy-to-access busbar connections or cable plugs for use with single or multiple copper or aluminium conductors.


**Descriptors**

Category	Moulded Case Circuit Breakers
----------	-------------------------------

**Specifications**

Series	Circuit breaker (complete breaker)
In (A)	800 A
Number of poles	3P
Trips	3 trips
Frame type	K frame (800A/1250 A/1600A)
Rating frame (A)	800 A
Short-circuit capacity (kA)	Normal 50 kA
Trip Unit	Line protection (thermal magnetic)
Measurements	320x210x160 mm
Ui (V)	1000 V
Ir (A)	630-800 A
IEC 230VAC	85 kA
IEC 400VAC	50 kA
IEC 440VAC	42 kA
IEC 500VAC	36 kA
IEC 690VAC	20 kA
IEC 690VAC Icu	20 kA
IEC 690VAC Ics	20 kA
IEC 250VDC	50 kA
IEC 440VDC	36 kA
IEC 500VDC	36 kA
NEMA 240V	85 kA
NEMA 480V	42 kA
Im (A)	4000-8000 A

**Classifications**

ETIM 5.0	EC000228 - Power circuit-breaker for trafo/generator/installation protection
----------	--

## Classifications

ETIM 6.0	EC000228 - Power circuit-breaker for trafo/generator/installation protection
ETIM 7.0	EC000228 - Power circuit-breaker for trafo/generator/installation protection

## Dimensions

Weight	12.200 kg
--------	-----------

## Package Information

Standard packing	1
------------------	---