

1
RoHS Compliant

2

3

4

5

6

7

8

A

B

C

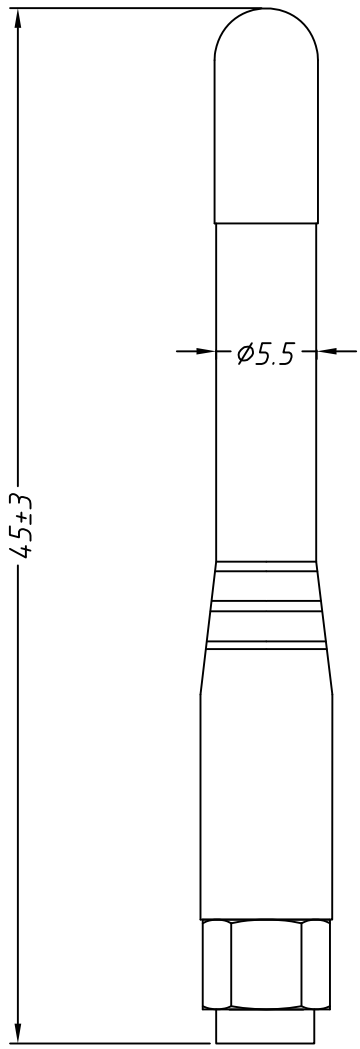
D

E

F

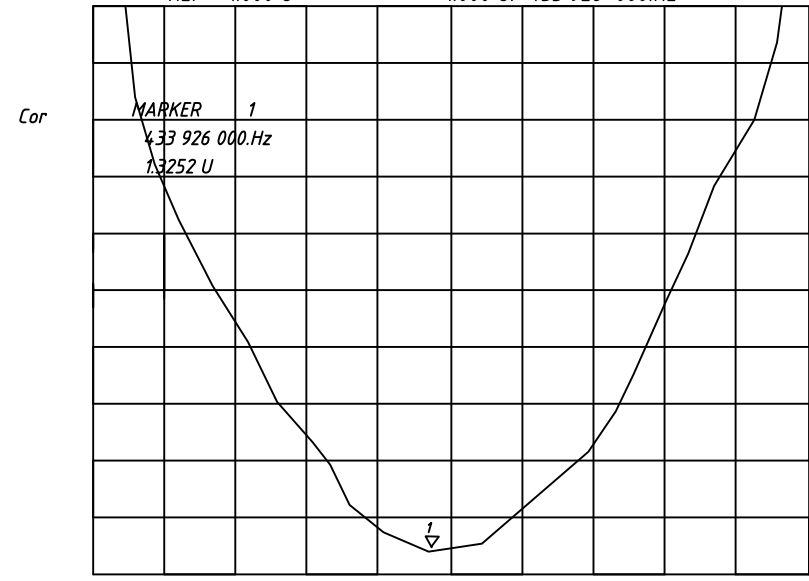
G

H



CH1 A/R SWR
REF 1.000 U

MKR 1: 1.3252 U
1.000 U/ 4.33 926 000.Hz



CH1 START 383 926 000.Hz STOP 483 926 000.Hz

Specification:

- Frequency : 4.33±10MHz*
- Gain : 2dBi*
- Vswr : 1.5Max.*
- Impedance : 50 Ω*
- Polarization : Vertical*
- Radiation : OMNIDIRECTIONAL*
- Connector : SMA-J*
- Lightning protection: DC Grounding*
- Operating Temperature : -30°C to +70°C*

		<i>Description:</i>	
		433MHz Rubber Duck Antenna,L45mm	
PROJECTION		KLS P/N:	L-KLS1-43316045
UNITS	mm		
SHEET SIZE	A4		
Draw:	Daniel 2019-7-1		NingBo KLS ELECTRONIC CO.,L TD.
Check:	Daniel 2019-7-1		

1

2

3

4

5

6

7

8