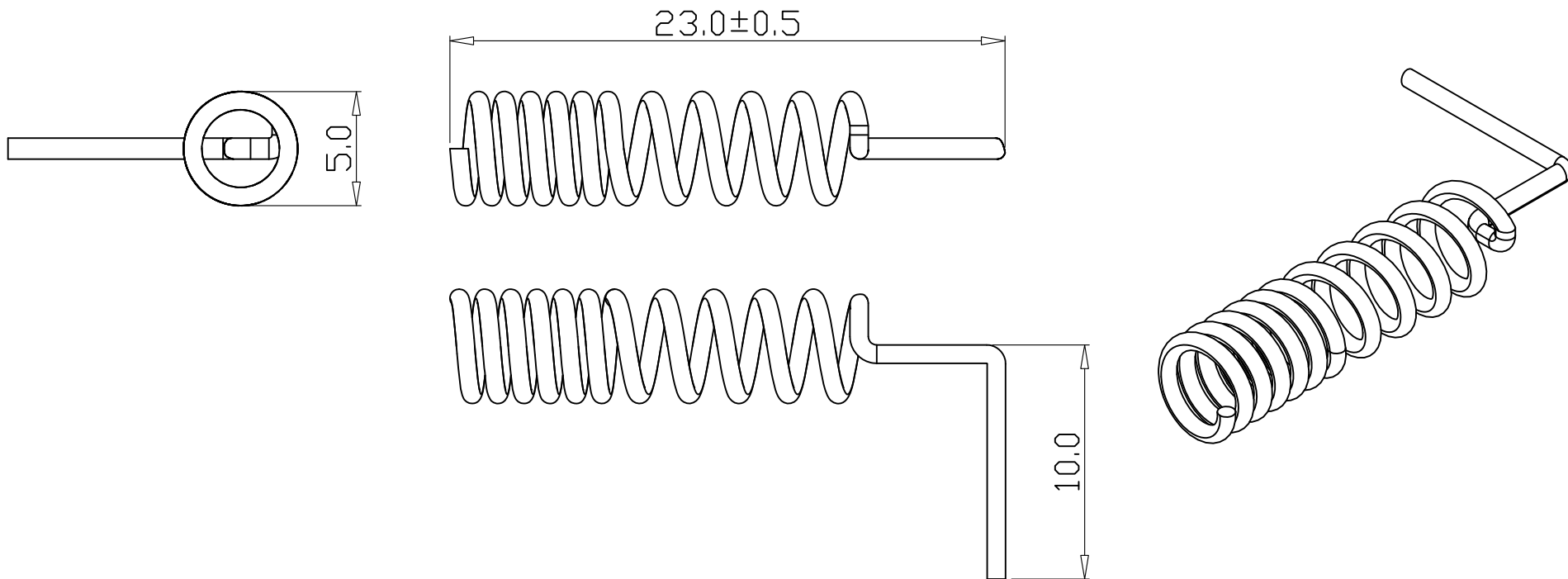


RoHS
Compatible

序号	日期	原因	确认人
B			
C			
D			



Spring technical requirements				Tolerance:
Spring material	Phosphorus copper	Wire diameter	0.8mm	
Turn direction	/	Effective No. of rotations	10.5T	
Pin out	unilateral	Hole pitch	/	
Spring upper dimensions				
Spring Lower dimensions				
Spring height				

NINGBO KLS ELECTRONIC CO.,LTD				
PART NAME: Spring antenna				
PART NO.: L-KLS1-GSM-23X5.0X10			DATE: 2017-11-08	
APPROVED BY	CHECKED BY	DESIGNED BY		Tolerance
		张雅军	UNITS: mm	X.X ±0.50
2017.11.08	2017.11.08		SCALE: 1/1	X.XX±0.15
守刚	红		REVISION:A	X° ±3°