



TG-02M Specification

Version V1.0.1

Copyright©2022

Content

1. Product Overview.....	4
1.1. Characteristic.....	5
2. Main parameters.....	5
2.1. Static electricity requirements.....	6
2.2. Electrical characteristics.....	6
2.3. Bluetooth Rf Performance.....	6
2.4. Power.....	7
3. Appearance Dimensions.....	8
4. Pin definition.....	9
5. Schematic.....	11
6. Antenna parameters.....	12
6.1. Test conditions for the antenna.....	12
6.2. Antenna S parameter.....	13
6.3. Antenna Gain and Efficiency.....	13
6.4. Antenna Field Type Diagram.....	14
7. Design Guidance.....	15
7.1. Module application circuit.....	15
7.2. Antenna layout requirements.....	15
7.3. Power supply.....	16
7.4. GPIO.....	17
8. Flow welding curve diagram.....	18
9. Product related models.....	19
10. Product Packaging Information.....	20
11. Contact us.....	20
Disclaimer and copyright notice.....	21
Notice.....	21

1. Product Overview

TG-02M is a bluetooth module developed by Shenzhen Ai-Thinker Technology Co., LTD. The core processor chip TG7120B(SOP16) is a highly integrated bluetooth System-level chip (SoC) with low power consumption, designed for Internet of Things (IoT), mobile devices, wearable electronic devices, smart home and other applications.

TG-02M module features a high-performance low-power 32-bit CK802 processor, 64KB SRAM, 512KB Flash, 96KB ROM, and 256 bit efuse. In addition, The TG-02M module supports security mechanisms, applications and OTA upgrades under the BLE protocol. It has a variety of unique hardware security mechanisms, and hardware encryption supports AES algorithm.

TG-02M module offers a wealth of peripherals including UART, PWM, ADC, I2C, SPI, PDM, DMA and up to 11 IO ports.

TG-02M module supports low power Bluetooth: BLE 5.1, BLE Mesh. Bluetooth speed support: 125Kbps, 500Kbps, 1Mbps, 2Mbps. Support broadcast extension, multi - broadcast, channel selection.

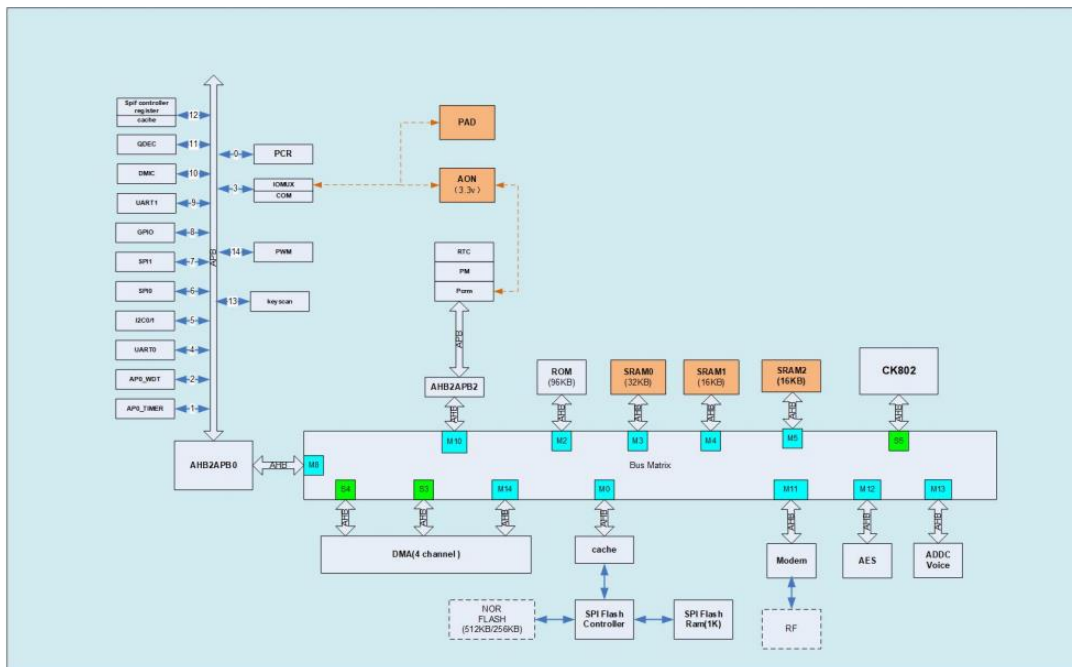


Figure 1 Main chip architecture diagram

1.1. Characteristic

- Support BLE5.1, Speed Support: 125Kbps,500Kbps,1Mbps,2Mbps
- 64 KB SRAM, 512KB flash, 96 KB ROM, 256 bit efuse
- Support UART/GPIO/ADC/PWM/I2C/SPI/PDM/DMA
- The package is DIP-18 Gold finger plug-in package
- Multiple sleep modes are supported and the deep sleep current is less than 1uA
- Fixed universal AT instruction for quick use
- Support secondary development, integrated Windows development environment

2. Main parameters

Table 1 Description of the main parameters

Model	TG-02M
Package	DIP-18 Goldfinger plug-in
Size	18.0*18.0*2.8(± 0.2)mm
Antenna	On-board antenna
Frequency	2400 ~ 2483.5MHz
Operating temperature	-40 °C ~ 85 °C(Normal temperature version) / -40 °C ~ 105 °C (high temperature version)
Storage temperature	-40 °C ~ 125 °C , < 90%RH
Power supply	Support voltage 2.7V ~ 3.6V,supply current ≥ 200 mA
Interface	UART/GPIO/ADC/PWM/I2C/SPI/PDM/DMA
IO	11
UART rate	Default 115200 bps
Bluetooth	BLE 5.1
Security	AES-128
SPI Flash	512KB

2.1. Static electricity requirements

TG-02M module is an electrostatic sensitive device. Therefore, you need to take special precautions when carrying it.



Figure 2 ESD preventive measures

2.2. Electrical characteristics

Table 2 Electrical characteristics table

Parameters	Conditions	Min.	Typical value	Max.	Unit	
Power Supply	VDD	2.7	3.3	3.6	V	
I/O	V _{IL} /V _{IH}	-	-0.3/0.75VDD	-	0.25VDD/VDD+0.3	V
	V _{OL} /V _{OH}	-	N/0.8VIO	-	0.1VIO/N	V
	I _{MAX}	-	-	-	12	mA

2.3. Bluetooth Rf Performance

Table 3 Bluetooth RF performance Table

Description	Typical value			Unit
Working Central Frequency	2400 - 2483.5			MHz
Output Power				
Model	Min.	Typical value	Max.	Unit
BLE 2Mbps	-20	8	10	dBm
BLE 1Mbps	-20	8	10	dBm
BLE 500Kbps	-20	8	10	dBm
BLE 125kbps	-20	8	10	dBm
Receive Sensitivity				
Model	Min.	Typical value	Max.	Unit
BLE 2Mbps	-	-94	-	dBm

BLE 1Mbps	-	-95	-	dBm
-----------	---	-----	---	-----

2.4. Power

The following power consumption figures are based on a 3.3V power supply, an ambient temperature of 25°C, and an internal voltage regulator.

- All measurements were made at the antenna interface without SAW filter.
- All emission data are measured in TX_Burst_Test & RX_Burst_Test mode.

Table 4 Power consumption table

Model	Min.	AVG	Max.	Unit
TX_Burst_Test Power output 8dBm	-	11.5	-	mA
TX_Burst_Test Power output 5dBm	-	9.6	-	mA
TX_Burst_Test Power output 0dBm	-	8.6	-	mA
RX_Burst_Test	-	8	-	mA
Sleep (IO wake up only)	-	0.3	-	uA
Sleep(with 32KHz RTC and all SRAM retention)	-	6.5	-	uA
Power ON	-	6.24	-	mA

3. Appearance Dimensions

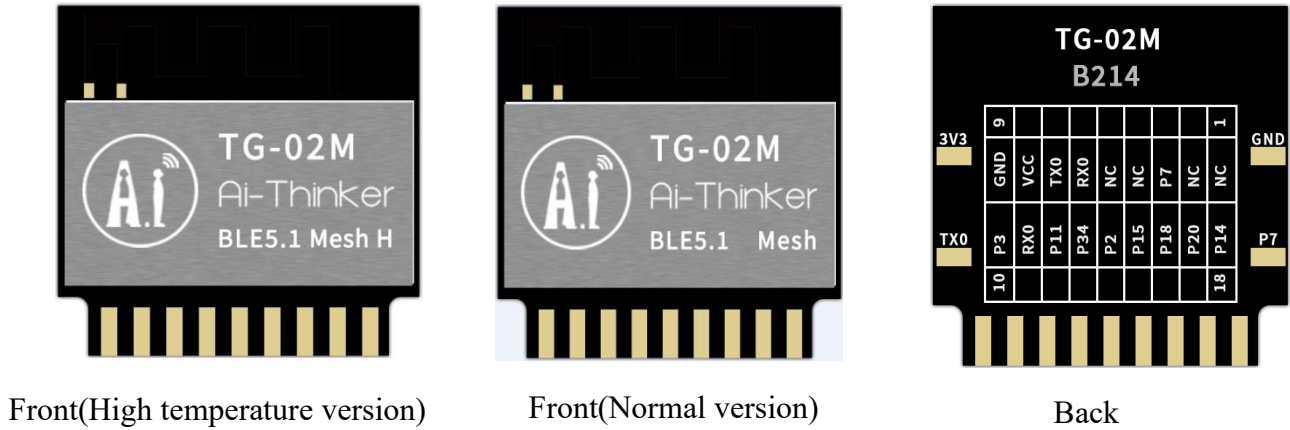


Figure 3 Appearance diagram pictures is for reference only,subject to physical objects)

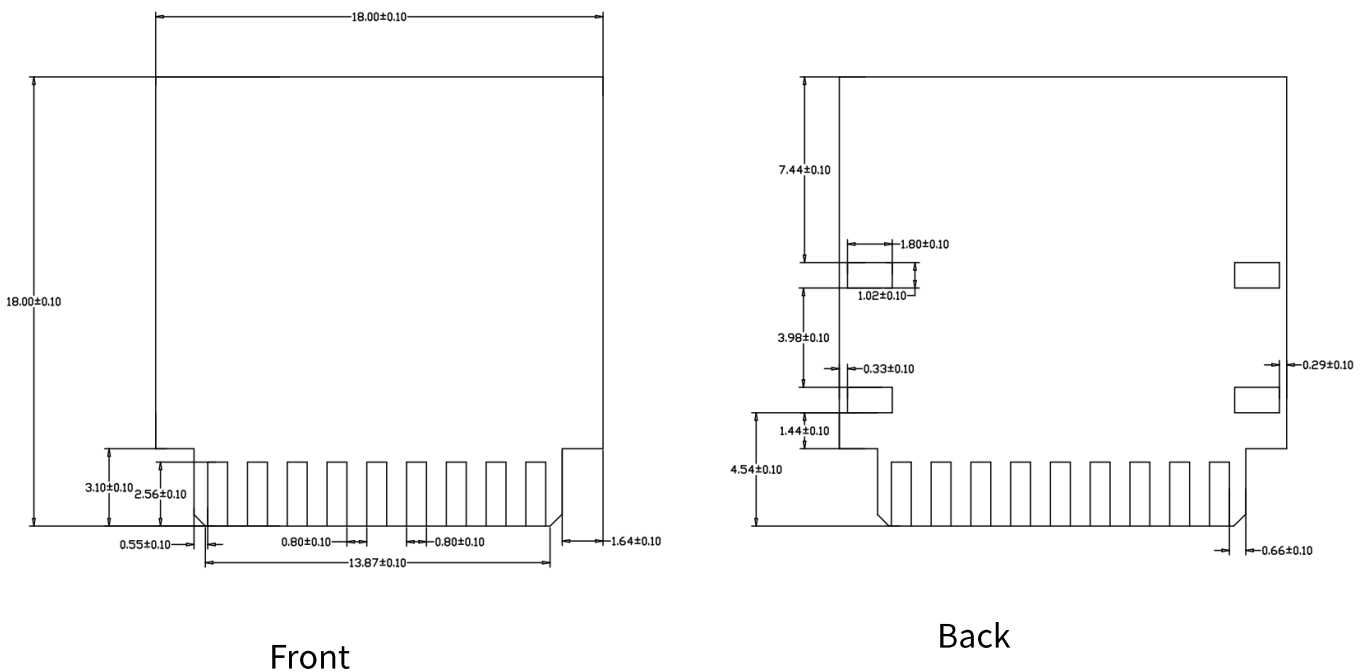


Figure 4 module size diagram

4. Pin definition

TG-02M module is connected with 22 pins, such as the pin schematic diagram, pin function definition table is the interface definition.

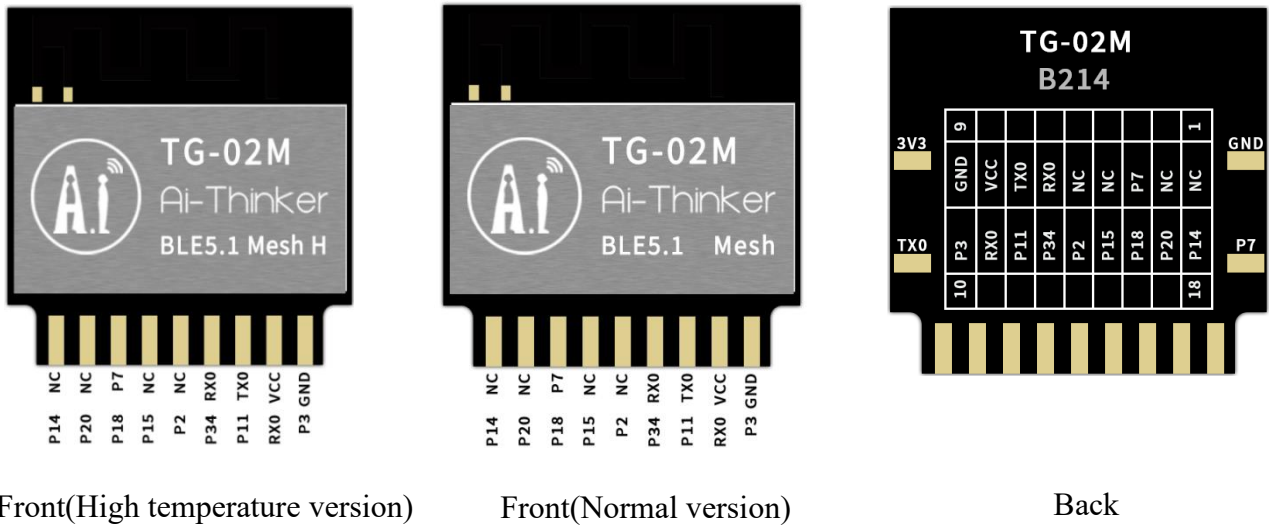


Figure 5 Schematic diagram of module pins(top view)

- Front diagram of high temperature plate H represents high temperature plate.

Table 6 Pin function definition table

No.	Name	Function
1	NC	NC
2	NC	NC
3	P7	GPIO7
4	NC	NC
5	NC	NC
6	RX0	RXD/GPIO10
7	TX0	TXD/GPIO9
8	VCC	Power access (positive pole of power supply)
9	GND	Ground(Power negative electrode)
10	P3	Power access (positive pole of power supply)
11	RX0	RXD/GPIO10
12	P11	GPIO11/ADC input 0
13	P34	GPIO34
14	P2	GPIO2
15	P15	GPIO15/ ADC input 4 / micbias output
16	P18	GPIO18/ ADC input 7 / PGA negative input
17	P20	GPIO20/ ADC input 9 / PGA positive input
18	P14	GPIO14/ADC input 3
19	GND	Ground(Power negative electrode)
20	P7	GPIO7
21	TX0	RXD/GPIO10
22	3V3	Power access (positive pole of power supply)

5. Schematic

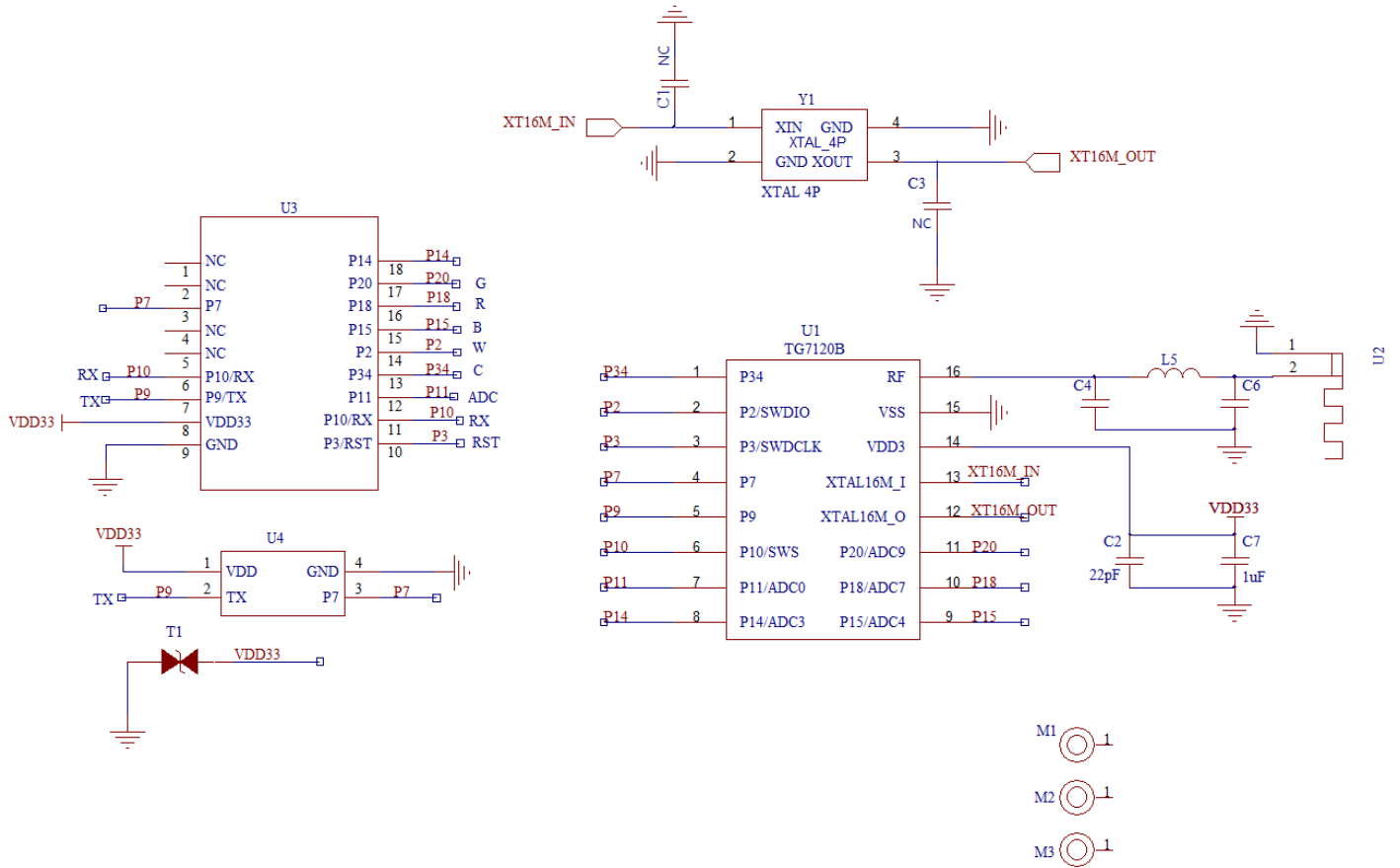


Figure 6 Schematic diagram of module

6. Antenna parameters

6.1. Test conditions for the antenna

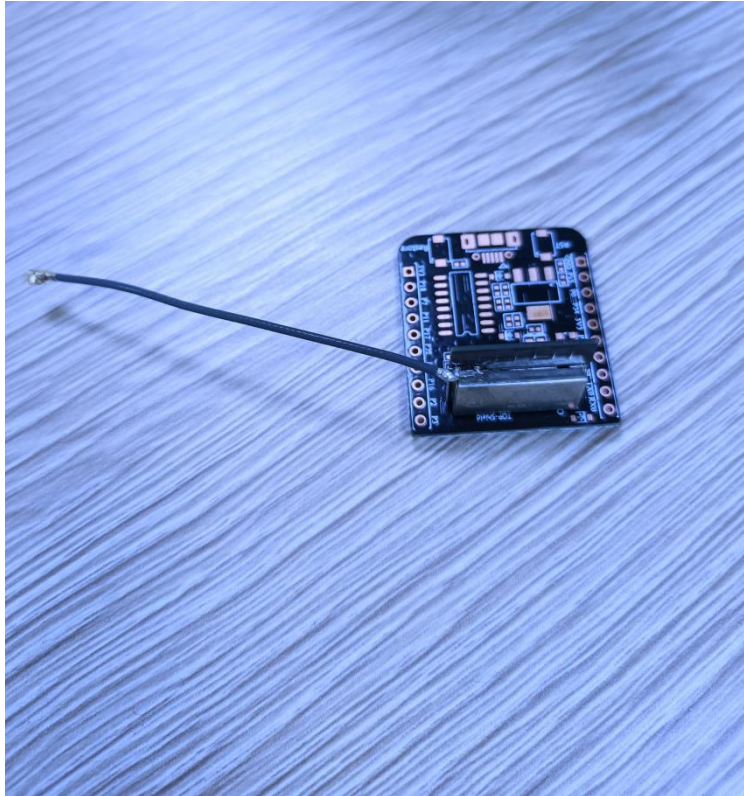


Figure 7 Antenna test conditions

6.2. Antenna S parameter

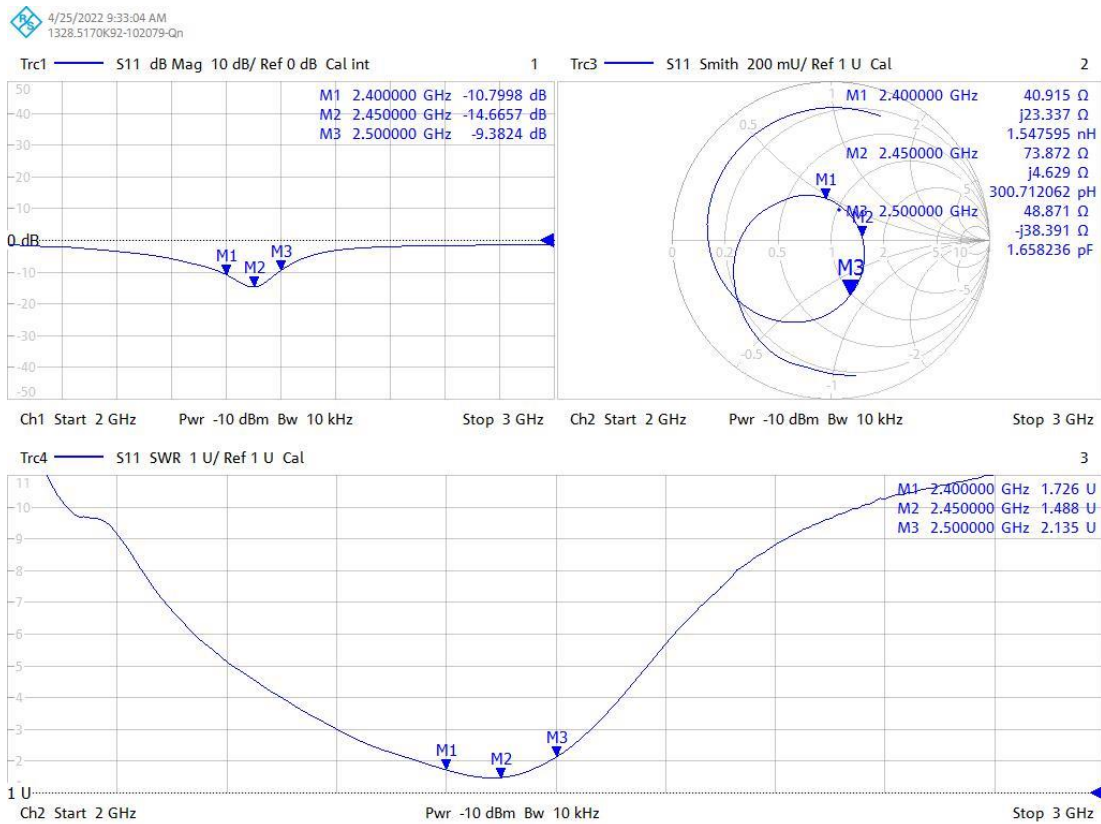


Figure 8 Antenna S parameters

6.3. Antenna Gain and Efficiency

Table 7 Antenna Gain and efficiency

Frequency ID	1	2	3	4	5	6	7	8	9	10	11
Frequency (MHz)	2400.0	2410.0	2420.0	2430.0	2440.0	2450.0	2460.0	2470.0	2480.0	2490.0	2500.0
Gain (dBi)	3.81	3.85	3.86	3.71	3.31	3.35	3.24	3.16	3.09	2.67	2.71
Efficiency (%)	55.91	56.24	55.93	53.63	49.69	50.61	49.07	48.51	48.78	44.69	45.39

6.4. Antenna Field Type Diagram

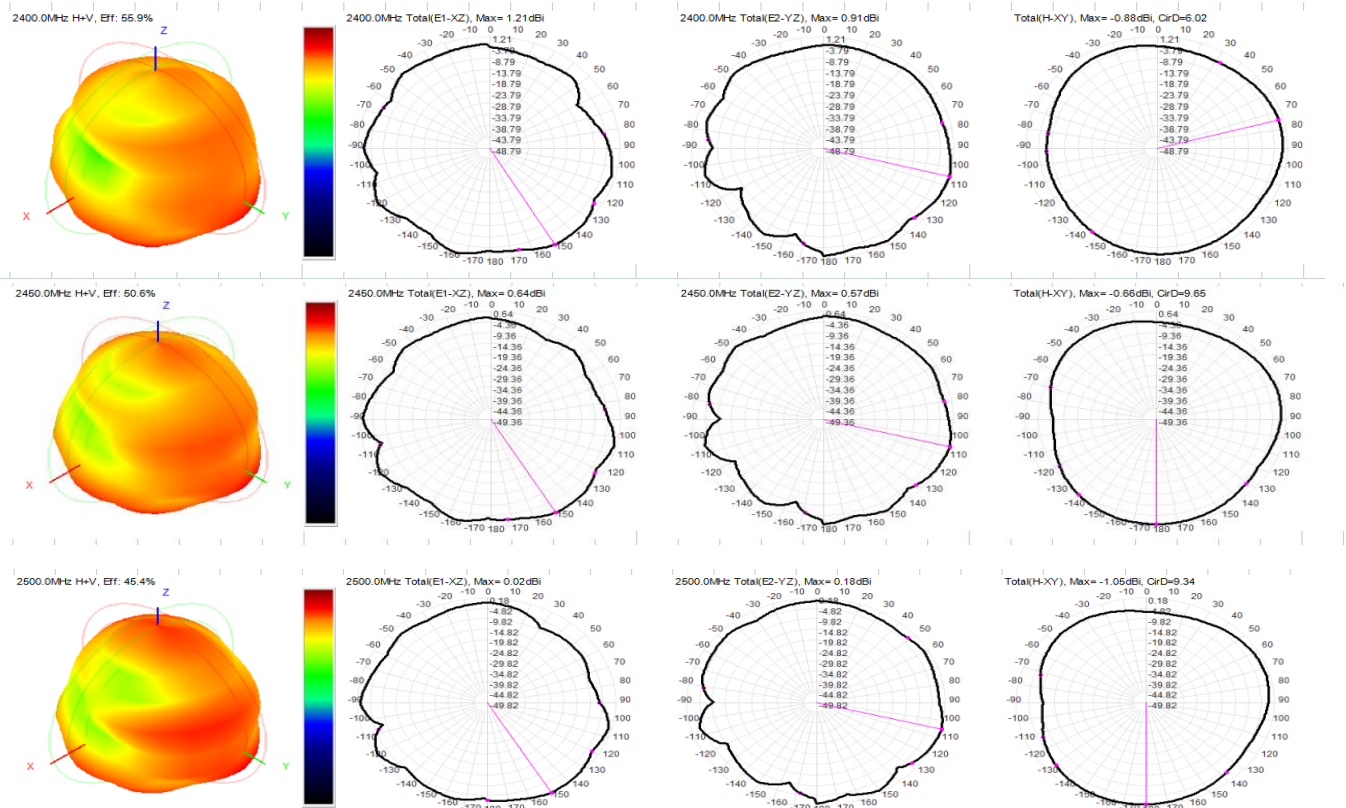


Figure 9 Antenna field pattern diagram

7. Design Guidance

7.1. Module application circuit

($\geq 200\text{mA}$, DC-DC or LDO independent power supply is recommended)

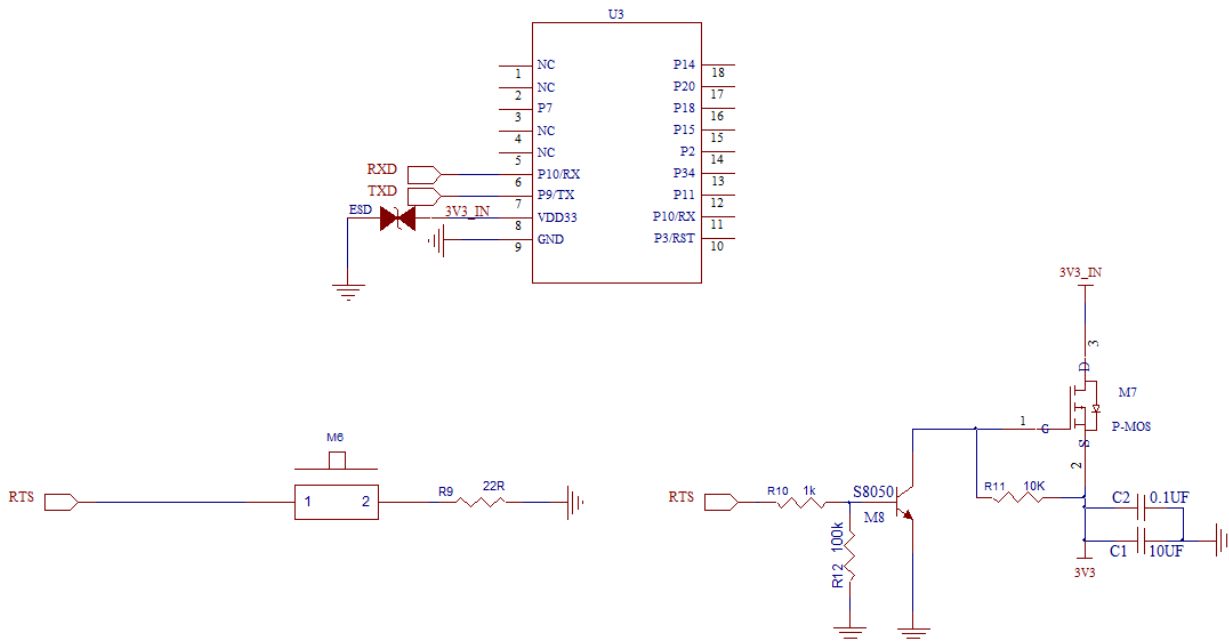


Figure 10 Application circuit diagram

Note:

- Because there is no reset pin for TG-02M, we realize the reset by cutting off power. A triode and PMOS can be used at the power input end to realize the reset of the module.

7.2. Antenna layout requirements

- The installation position on the motherboard suggests the following 2 ways:

Scheme 1: Put the module on the edge of the motherboard, And the antenna area extends out the edge of the motherboard.

Scheme 2: Put the module on the edge of the motherboard, and empty an area along the antenna position.

- To meet the performance of the on-board antenna, metal parts are not placed around the antenna, away from the high-frequency device.

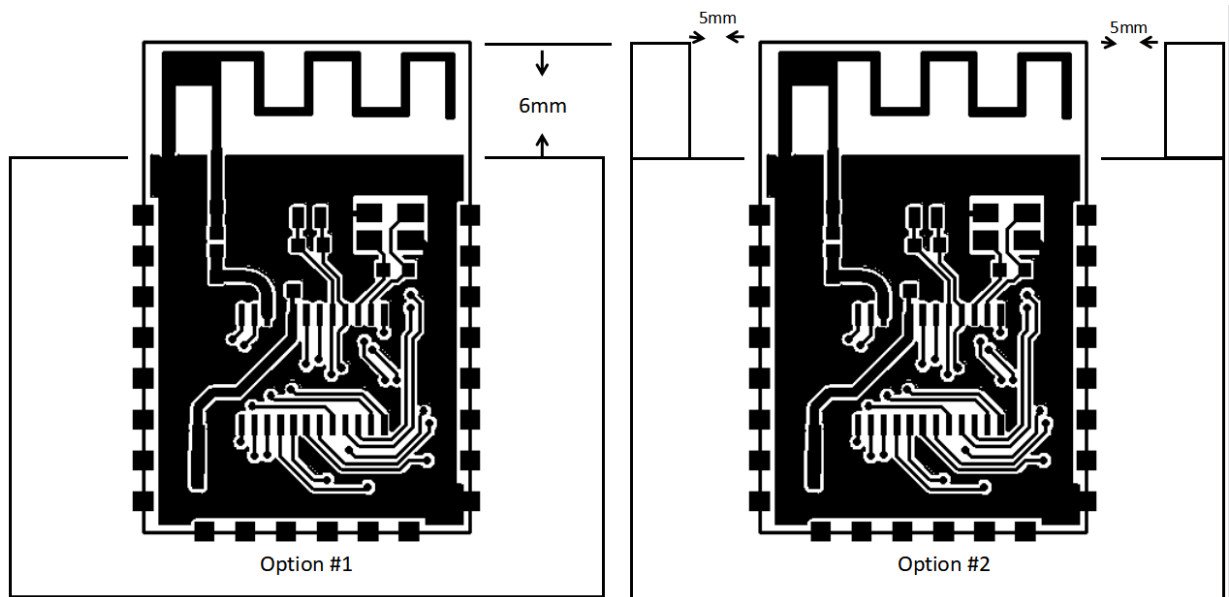


Figure 11 Antenna layout diagram

7.3. Power supply

- Recommended 3.3V voltage, peak current over 200mA.
- Power supply is recommend to use LDO; If the DC-DC is used, the ripple is recommended to be controlled within 30mV
- DC-DC power supply circuit proposes to reserve the dynamic response capacitance to optimize the output ripple with large load changes.
- 3.3V power interface it is recommended to add ESD devices.

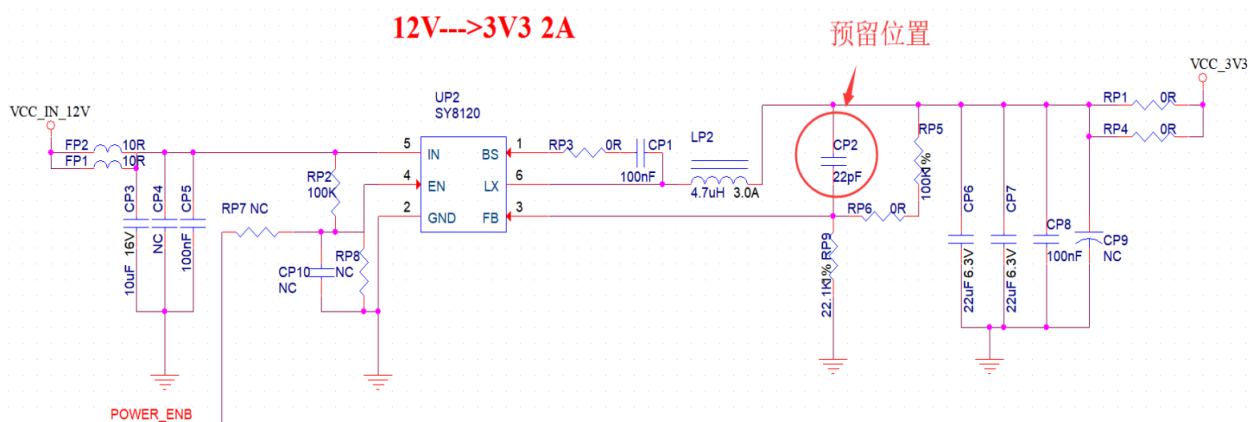


Figure 12 DC-DC step-down circuit diagram

7.4. GPIO

- Some IO ports are introduced outside the module. If necessary, it is recommended to use a resistor of 10-100 ohms in series on the IO ports. This inhibits overshoot and makes both sides level more stable. It is helpful for EMI and ESD.
- For special I/O ports to be pulled up and down, refer to the usage instructions in the specifications, which may affect the module startup configuration.
- The IO port of the module is 3.3V. If the IO level of the main control and the module do not match, a level conversion circuit needs to be added.
- If the I/O port is directly connected to a peripheral port or terminals, for example, a pin row, reserve an ESD device near the terminal of the I/O cable.

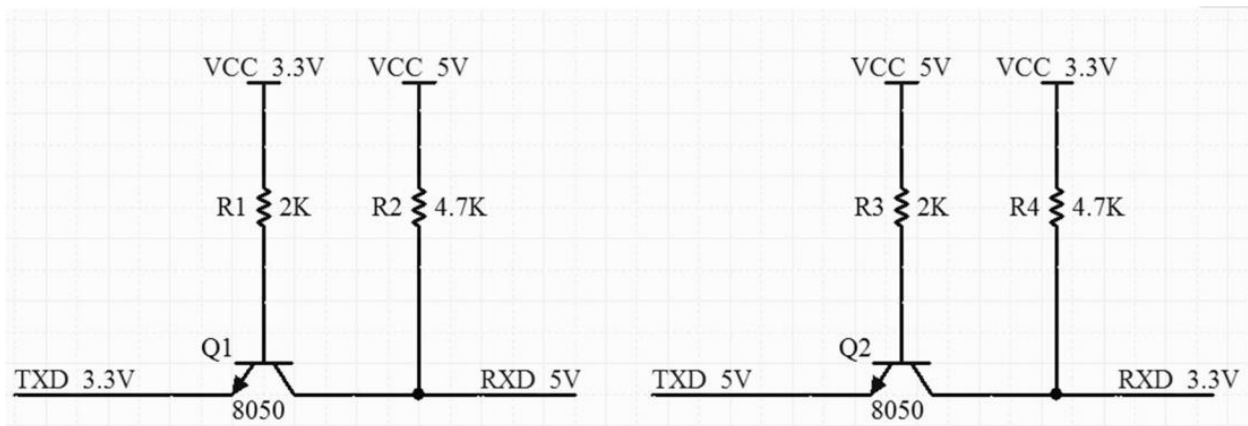


Figure 13 Level convert circuit

8. Flow welding curve diagram

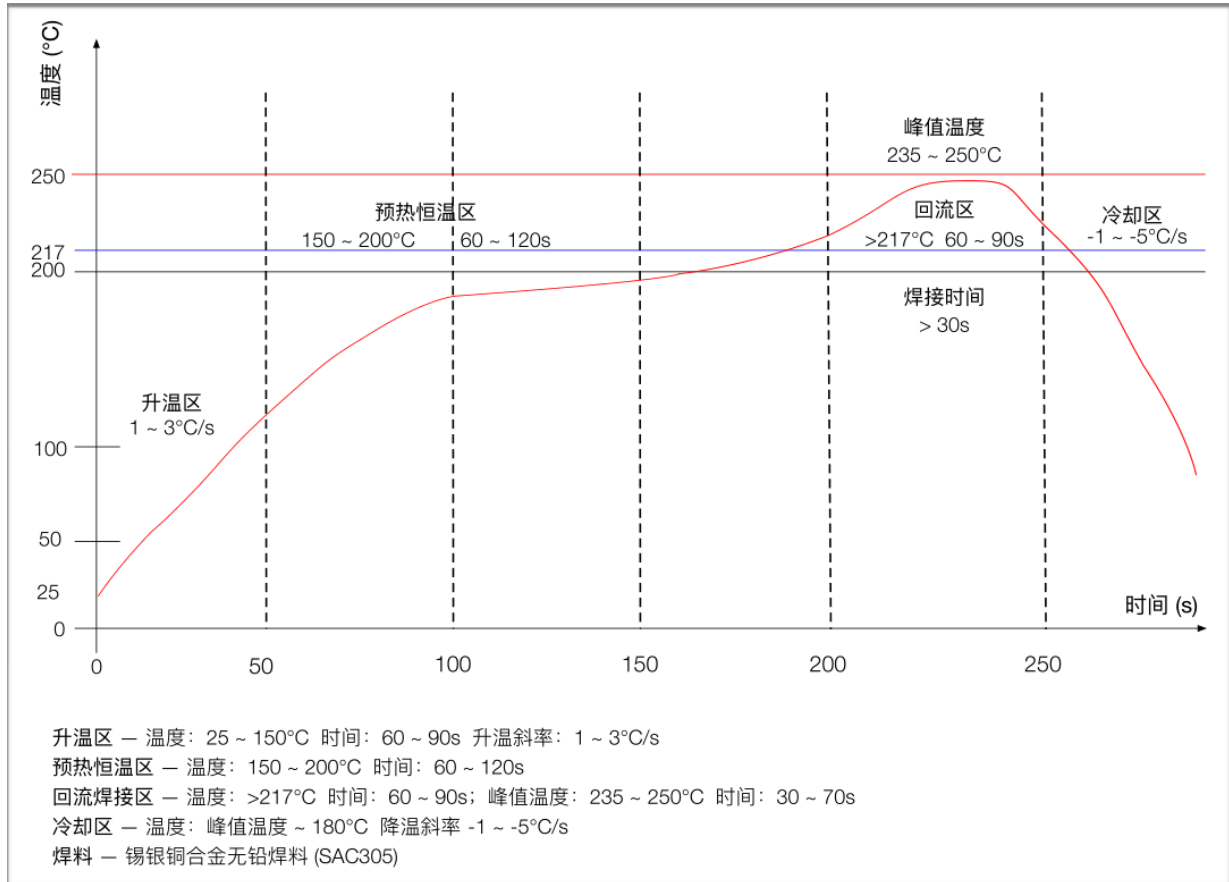


Figure 14 Flow welding diagram

9. Product related models

Table 8 Product related model list

Model	Power Supply	Package	Size	Antenna
TG-02F	2.7V ~ 3.6V, $I \geq 200\text{mA}$	SMD-22	24.0*16.0*3.1(± 0.2)mm	Default on-board PCB antenna Optional external spring antenna
TG-02M	2.7V ~ 3.6V, $I \geq 200\text{mA}$	DIP-18 Gold finger plug-in	18.0*18.0*2.8(± 0.2)mm	On-board PCB antenna
TG-02	2.7V ~ 3.6V, $I \geq 200\text{mA}$	SMD-20	18.6*12.2*2.8(± 0.2)mm	On-board PCB antenna
TG-02F-Kit	5V, $I > 200\text{mA}$	DIP-30	49.66*25.40(± 0.2)mm	On-board PCB antenna
TG-02M-Kit	5V, $I > 200\text{mA}$	DIP-20	32.73*28.45(± 0.2)mm	On-board PCB antenna
TG-02-Kit	5V, $I > 200\text{mA}$	DIP-19	45.54*29.93(± 0.2)mm	On-board PCB antenna
Product related information : https://docs.ai-thinker.com				

10. Product Packaging Information

TG-02M module was packaged in a tape, 1350pcs/reel. As shown in the below image:



Figure 15 Package and packing diagram

11. Contact us

[Ai-Thinker official website](#)

[Office forum](#)

[Develop DOCS](#)

[LinkedIn](#)

[Tmall shop](#)

[Taobao shop](#)

[Alibaba shop](#)

[Technic support email: support@aithinker.com](mailto:support@aithinker.com)

[Domestic business cooperation: sales@aithinker.com](mailto:sales@aithinker.com)

[Overseas business cooperation: overseas@aithinker.com](mailto:overseas@aithinker.com)

Company Address: Room 403,408-410, Block C, Huafeng Smart Innovation Port, Gushu 2nd Road, Xixiang, Baoan District, Shenzhen.

Tel: +86-0755-29162996



WeChat mini program



WeChat official account

Disclaimer and copyright notice

The information in this article, including the URL address for reference, is subject to change without notice.

The document is provided "as is" without any guarantee responsibility, including any guarantee for merchantability, suitability for a specific purpose, or non-infringement, and any guarantee mentioned elsewhere in any proposal, specification or sample. This document does not bear any responsibility, including the responsibility for infringement of any patent rights arising from the use of the information in this document. This document does not grant any license for the use of intellectual property rights in estoppel or other ways, whether express or implied.

The test data obtained in the article are all obtained from Ai-Thinker's laboratory tests, and the actual results may vary slightly.

All brand names, trademarks and registered trademarks mentioned in this article are the property of their respective owners, and it is hereby declared.

The final interpretation right belongs to Shenzhen Ai-Thinker Technology Co., Ltd.

Notice

Due to product version upgrades or other reasons, the contents of this manual may be changed.

Shenzhen Ai-Thinker Technology Co., Ltd. reserves the right to modify the contents of this manual without any notice or prompt.

This manual is only used as a guide. Shenzhen Ai-Thinker Technology Co., Ltd. makes every effort to provide accurate information in this manual. However, Shenzhen Ai-Thinker Technology Co., Ltd. does not guarantee that the contents of the manual are completely free of errors. All statements and information in this manual And the suggestion does not constitute any express or implied guarantee.