

ASK Super Heterodyne Receiver

General Description:

ST-RX12S-ASK is ASK Super Heterodyne hybrid receiver module, which can be used to receive undecoded / decoded data from the range of SUMMITEK ASK transmitter modules.

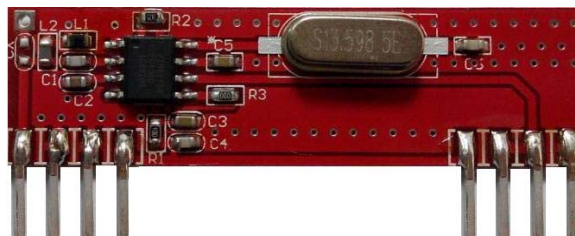
The module is very simple to operate and offer a very low current consumption.

Data can be transmitted directly into a microprocessor or decoding device.

All receivers are compatible, producing CMOS/TTL Output ,and only require connections to Power & Antenna.

Features:

- ⊙ ASK Demodulation
- ⊙ Frequency available as 315 /390/433.92MHz
- ⊙ Stable Operating Frequency
- ⊙ Low Current Consumption
- ⊙ Wide Operating Voltage: 3 ~ 5.5 VDC
- ⊙ High Sensitivity : -110dBm



Application:

- ⊙ Wireless Security Systems
- ⊙ Garage Door Controller
- ⊙ Remote Gate Controls
- ⊙ Data Communications
- ⊙ Sensor Reporting

Order Information:

Part Number	Description
ST-RX12S- 315M	ASK Super Heterodyne Receiver, 315MHz
ST-RX12S- 390M	ASK Super Heterodyne Receiver, 390MHz
ST-RX12S- 434M	ASK Super Heterodyne Receiver, 433.92MHz

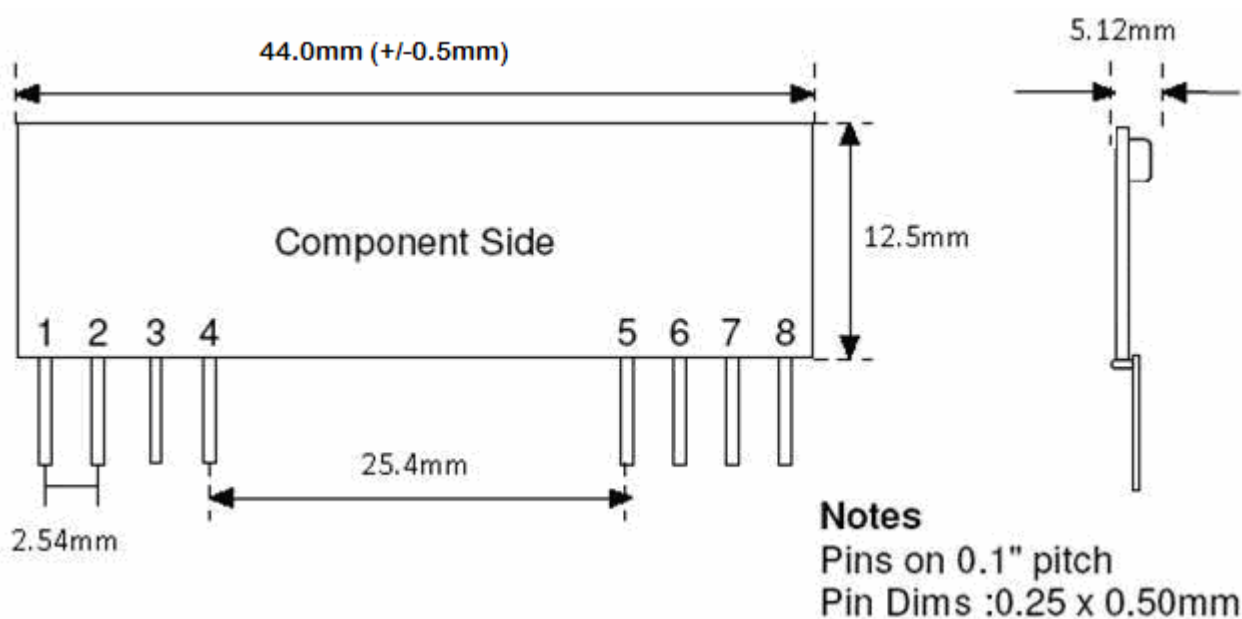
Other frequency can be customized

Electrical Characteristics

Ambient temp=25 °C VCC=5V 1Kb/s AM99% Square-wave modulation

Characteristic	Min.	Typ.	Max.	Unit
Supply Voltage	3		5.5	Vdc
Current Consumption		4.8		mA
RF Sensitivity		-110		dBm
Working Frequency		315 / 390/433.92		MHz
High Level Output	0.8			VDD
Low Level Output			0.2	VDD
IF Bnadwidth		380		KHz
Data Rate		1	10	Kbps
Temp Range	-20		+75	°C

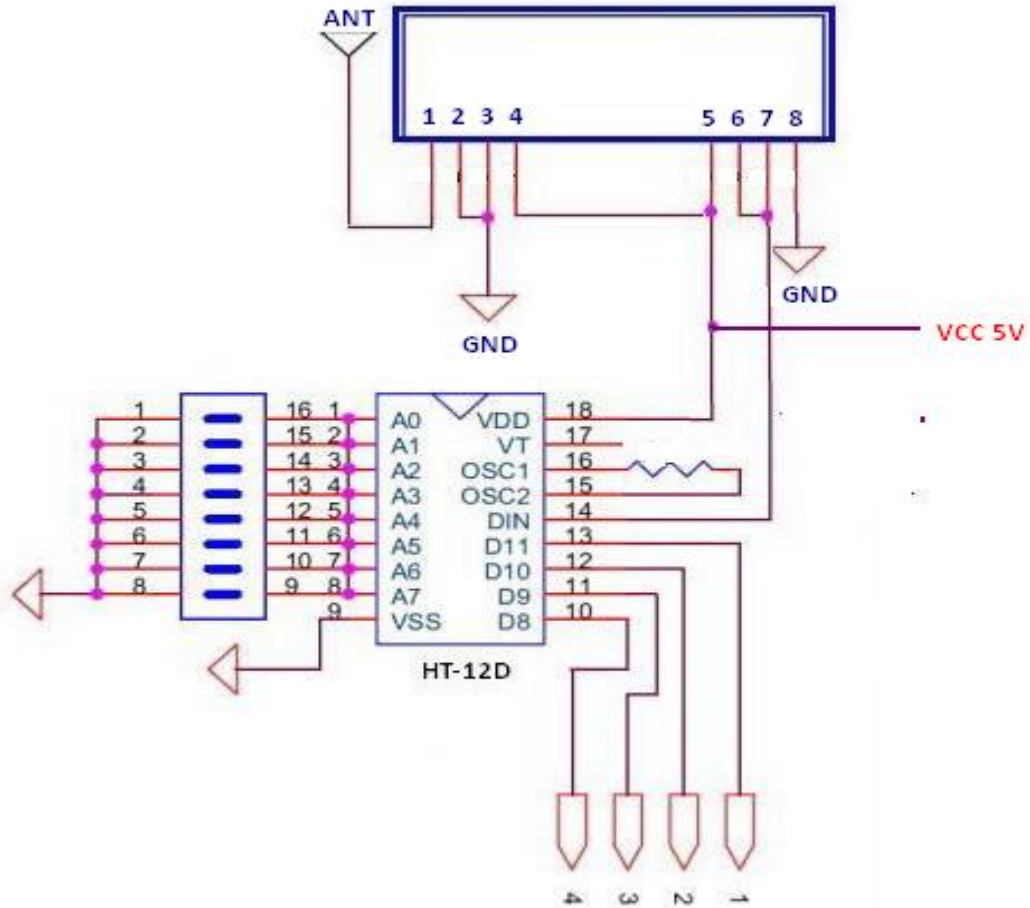
Mechanical Dimension:



Pin Descriptions:

1	ANT	5	VCC
2	GND	6	DATA
3	GND	7	DATA
4	VCC	8	GND

Typical Application:



* Antenna length about:23cm for 315 MHz / 17cm for 434 MHz



SUMMITEK Technology Co., Ltd.
 1F,NO.16,LANE 32,SEC.1,WUNHUA ROAD,BANCIAO DIST.,NEW TAIPEI CITY,22055 TAIWAN
 Tel :886-2-2969-6293
 Fax:886-2-2969-7362
 E-Mail:marketing@summitek.com.tw
<http://www.summitek.com.tw>