

ASK Low Cost Super Heterodyne Receiver

General Description:

ST-RX09-ASK is ASK Super Heterodyne hybrid low cost receiver module, which can be used to receive undecoded / decoded data from the range of Summittek Transmitter modules.

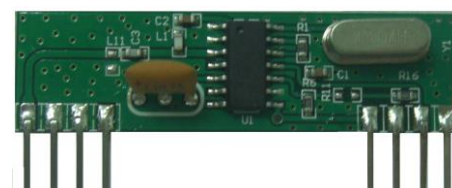
The module is very simple to operate and offer a very low current consumption.

Data can be transmitted directly into a microprocessor or decoding device.

All receivers are compatible, producing CMOS/TTL Output ,and only require connections to Power & Antenna.

Features:

- Ⓞ ASK Demodulation
- Ⓞ Frequency available as 315 or 433MHz
- Ⓞ Stable Operating Frequency
- Ⓞ Low Current Consumption
- Ⓞ Wide Operating Voltage: 2.4 ~ 5.5 VDC
- Ⓞ High Sensitivity : -109dBm



Application:

- Ⓞ Wireless Security Systems
- Ⓞ Garage Door Controller
- Ⓞ Remote Gate Controls
- Ⓞ Data Communications
- Ⓞ Sensor Reporting

Order Information:

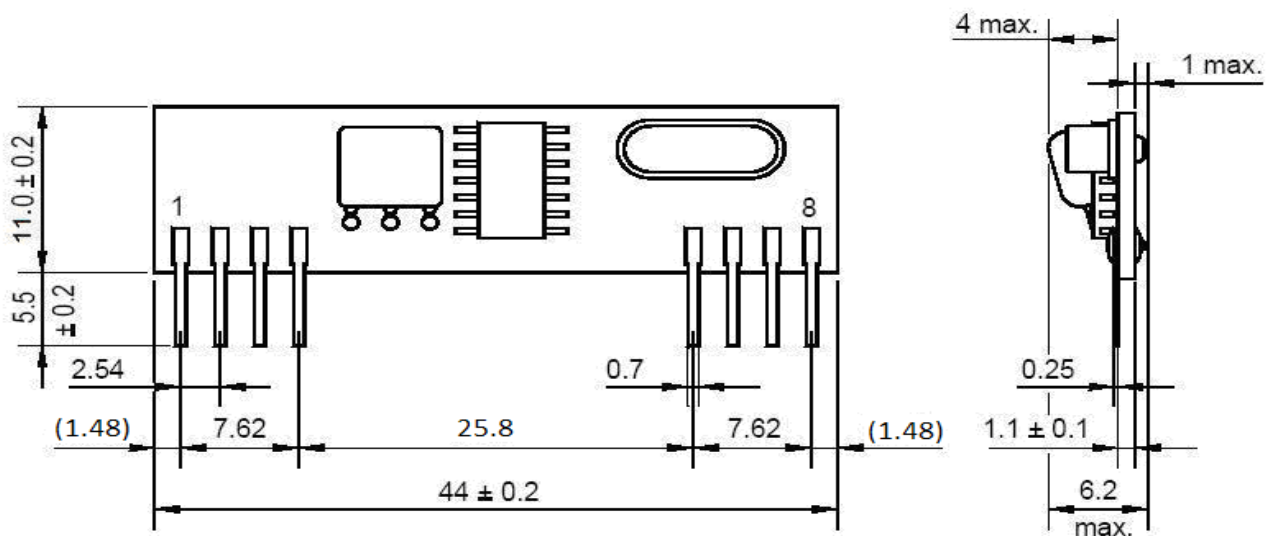
Part Number	Description
ST-RX09-A315	ASK Super Heterodyne Receiver, 315MHz
ST-RX09-A434	ASK Super Heterodyne Receiver, 433.92MHz

Electrical Characteristics

Ambient temp=25 °C VCC=5V 1Kb/s AM99% Square-wave modulation

Characteristic	Min.	Typ.	Max.	Unit
Supply Voltage	2.4	5	5.5	Vdc
Supply Current		2.8		mA
RF Sensitivity		-109		dBm
Working Frequency		315/433.92		MHz
High Level Output	0.7Vcc			VDC
Low Level Output			0.3Vcc	VDC
IF Bandwidth		280		KHz
Data Rate		1	10	Kbps

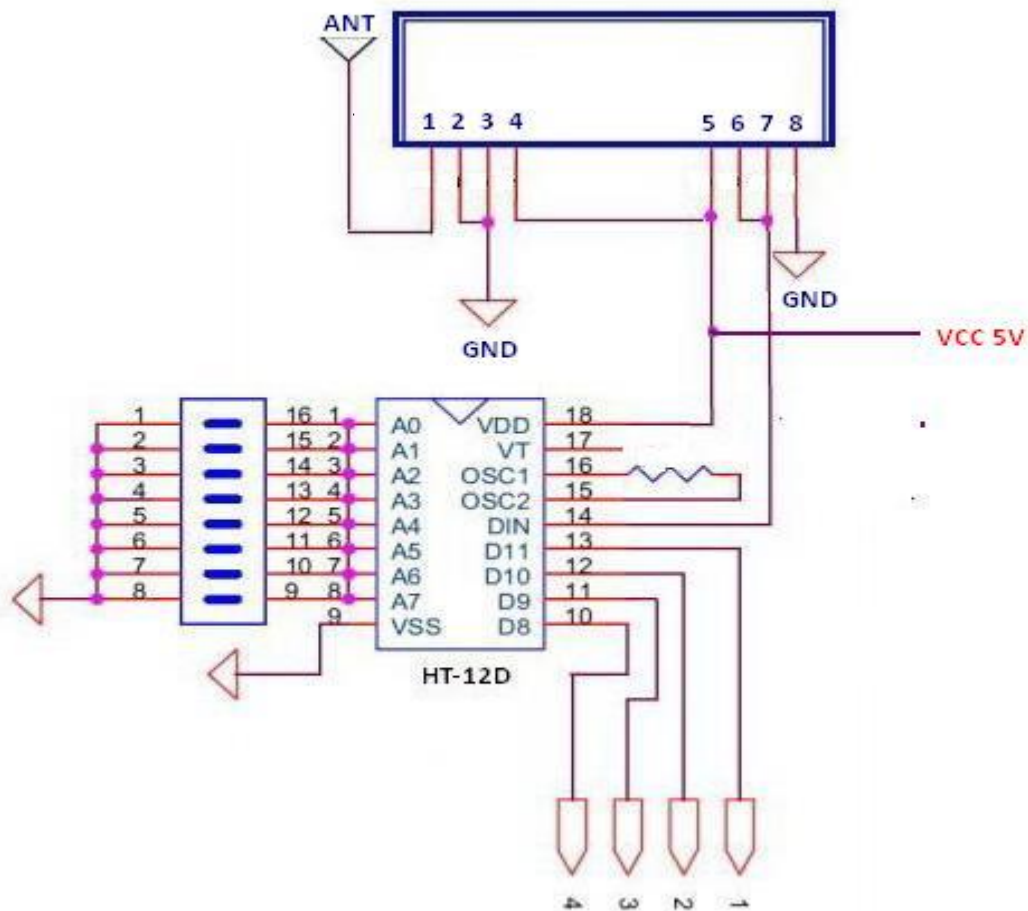
Mechanical Dimension:



Pin Descriptions:

1	ANT	5	VCC
2	GND	6	DATA
3	GND	7	DATA
4	VCC	8	GND

Typical Application:



* Antenna length about:23cm for 315 MHz / 17cm for 434 MHz



SUMMITEK Technology Co., Ltd.
 3F~13,NO.12,LANE 609,SEC.5,CHUNG HSIN RD.,SAN CHUNG DIST.,NEW TAIPEI CITY,24159 TAIWAN
 Tel :886-2-295-5608
 Fax:886-2-2995-5851
 E-Mail:marketing@summitek.com.tw
<http://www.summitek.com.tw>