



Ra-07H Datasheet

Version V1.0

Copyright ©2019

Disclaimer and copyright notice

The information in this article, including the URL address for reference, is subject to change without prior notice. The Documentation is provided "as is" without any warranty, including any warranties of merchantability, fitness for a particular purpose, or non-infringement, and any warranties mentioned in the proposal, specification or sample. This document is not responsible for any infringement of any patent rights arising out of the use of the information in this document. No license, express or implied, by estoppel or otherwise, is hereby granted.

The test data obtained in this paper are all obtained by Ai-Thinker laboratory, and the actual results may be slightly different. The Wi-Fi alliance membership mark is owned by the WiFi alliance.

All trade mark names, trademarks and registered trademarks mentioned herein are the property of their respective owners and are hereby declared.

The final interpretation right is owned by Shenzhen Ai-Thinker Technology Co., Ltd.

Note

The contents of this manual may be changed due to the version upgrade of the product or other reasons. Shenzhen Ai-Thinker Technology Co., Ltd. reserves the right to modify the contents of this manual without any notice. This manual is only used as a guide, and Shenzhen Ai-Thinker Technology Co., Ltd. makes every effort to provide accurate information in this manual, but Shenzhen Ai-Thinker Technology Co., Ltd. does not ensure that the contents of the manual are completely true, all statements in this manual, All statements and information in this manual. and the recommendations do not constitute for any warranty, express or implied.

Change History of Revision

Version	Date	Contents of Revision Change	Compilation	Verify
V1.0	2019.02.28	Initial release	Xie Yiji	

Contents

1. Product overview.....	5
2. Electrical parameter.....	7
3. Appearance size.....	9
4. Pin definition.....	10
5. Schematics.....	12
6. Design Guidance.....	12
7. Reflow Welding Curve.....	14
8. Package Information.....	15
9. Contact us.....	15

1. Product overview

The Ra-07H LoRaWAN module features the Lora long range modem that provides ultra-long range communication, Ultra low power and high interference immunity whilst minimising current consumption. The ASR6501 chip Integrated LoRa radio transceiver, LoRa modem and 32-bit RISC MCU. The MCU uses ARM Cortex M0+ core and operates at 48MHz. The working frequency range of ASR6501 can support continuous coverage of 150MHz ~ 960MHz; support LoRa modulation mode and (G) FSK modulation mode.

The ASR6501 supports ultra-high sensitivity and a maximum transmit power of +21dBm. It is suitable for long-distance LPWAN communication and has high transmission efficiency.

Features

- With strong anti-interference ability, can work normally in complex interference environment
- Minimum receiving sensitivity: -137dBm (SF=12/BW=125KHz)
- Max Transmit power: +21dBm
- Operate frequency: 803MHz~930MHz (Default)
- The voltage of power supply input: 3.3V
- Transmit current: 107mA (Full load power consumption)
- Receive current: 6mA
- Sleep current: 3uA

Parameters

Figure 1 Main Parameter

Model	Ra-07H
Size	16*16*3±0.2mm
Package	SMD18
Frequency Range	803MHz~930MHz (default)
Transmit power	20dBm±1
Receive sensitivity	-136dBm±1
Interface	UART/GPIO/PWM/SWD/ADC/I2C
Operating temperature	-20℃ ~ 70℃
Storage environment	-40℃ ~ 125℃ , < 90%RH
Power supply range	Power supply voltage 3.3V
Power consumption	Sleep mode: 3uA
	Standby mode: 6mA
	Full load mode (TX: 21dBm) : 107mA

2. Electrical parameter

Electrical Characteristics

The Absolute Maximum Rating

Any following absolute maximum ratings exceeding may cause chip damage

Name	Min	Typ	Max	Unit
Supply voltage	2.7	3.3	3.6	V
Operating temperature	-20	-	+70	°C
Storage temperature	-40	-	+125	°C

Power consumption

Mode	Typ	Unit
Transmit power consumption (21dBm)	107	mA
Standby power consumption	6	mA
Sleep	3	uA

RF parameters

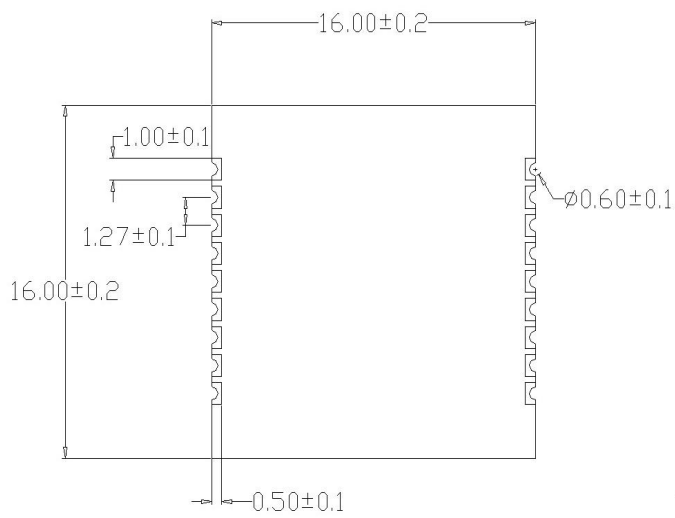
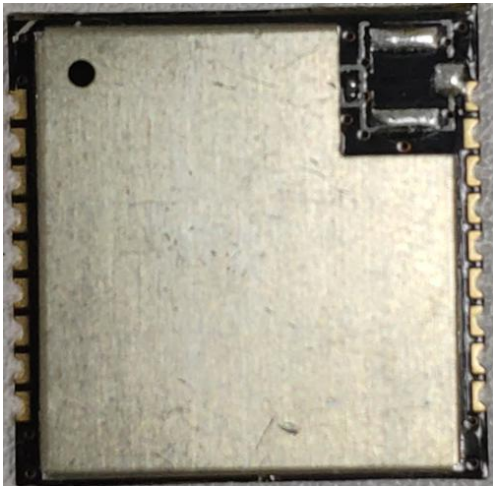
Transmit power

Name	Min	Typ	Max	Unit
Average power (915MHz)	19	20	21	dBm
Average power (868MHz)	19	20	21	dBm

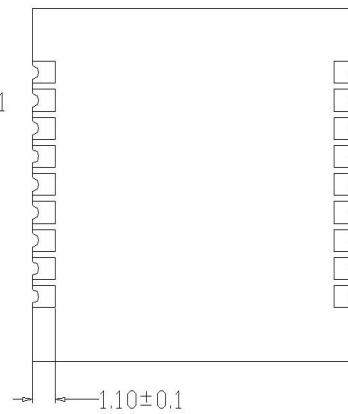
Receive sensitivity

Name	Min	Typ	Max	Unit
Receive sensitivity	-137	-136	-135	dBm

3. Appearance size



正面



背面

4. Pin definition

Ra-07H has 18 interfaces, Refer to figure, table is definition of interfaces.



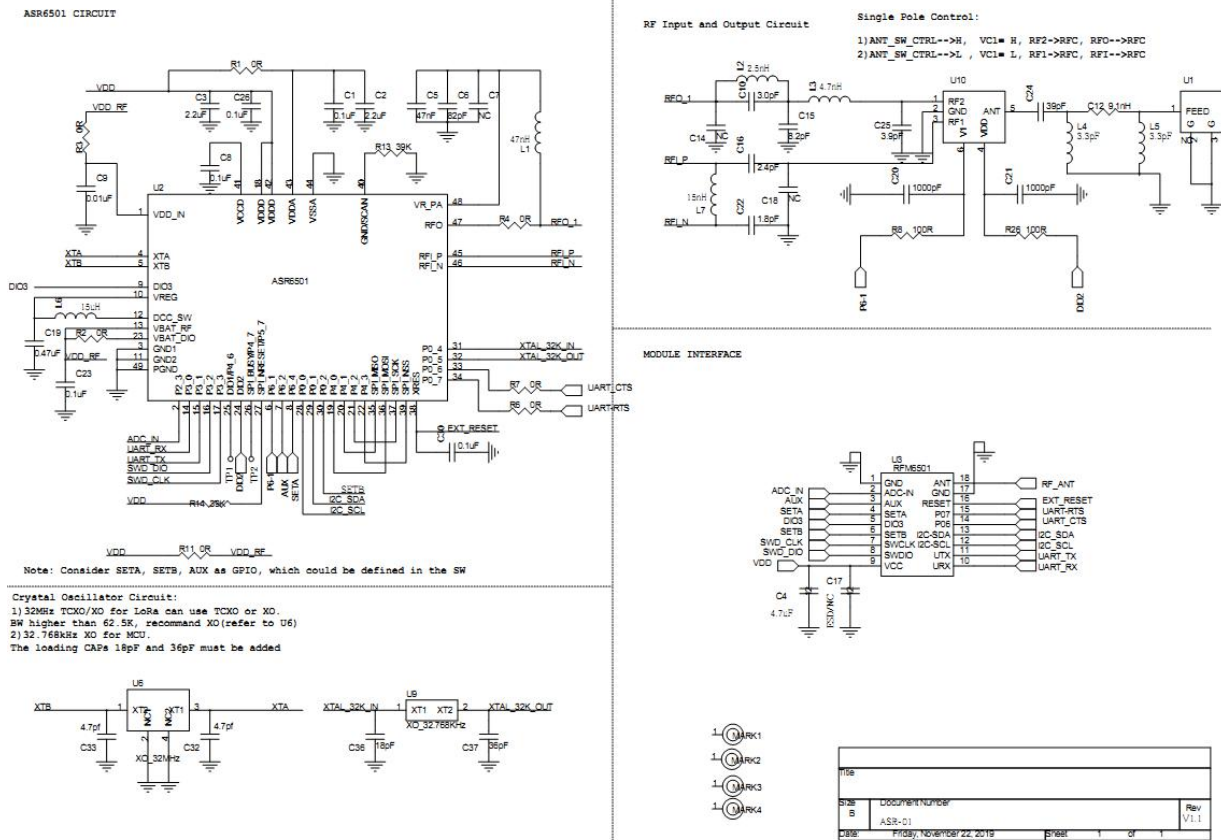
Figure Ra-07H Pin diagram

Table Pin function definition

No.	Name	Function
1	GND	Ground
2	ADC	ADC input pin
3	AUX	MCU GPIO
4	SETA	MCU GPIO
5	DIO3	Multipurpose digital I/O-external TCX032M supply voltage, cannot be external GPIO
6	SETB	MCU GPIO
7	SWCLK	SWD Clock pin
8	SWDIO	SWD Data pin
9	VCC	Power supply
10	URX	UART RX pin
11	UTX	UART TX pin
12	P00	GPIO pin

13	P01	GPIO pin
14	P06	GPIO pin
15	P07	GPIO pin
16	RES	Reset pin
17	GND	Ground
18	ANT	Antenna

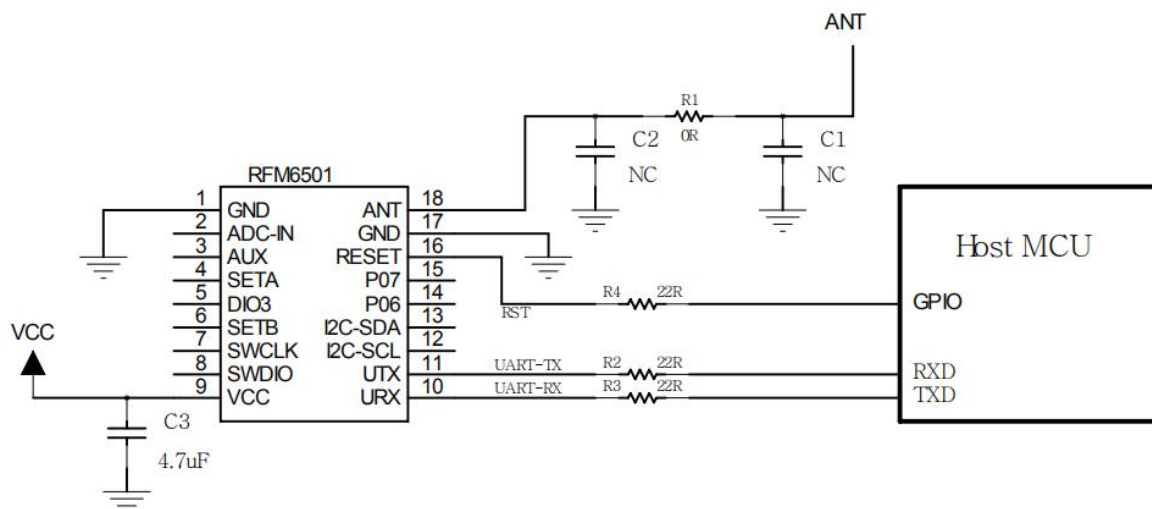
5. Schematics

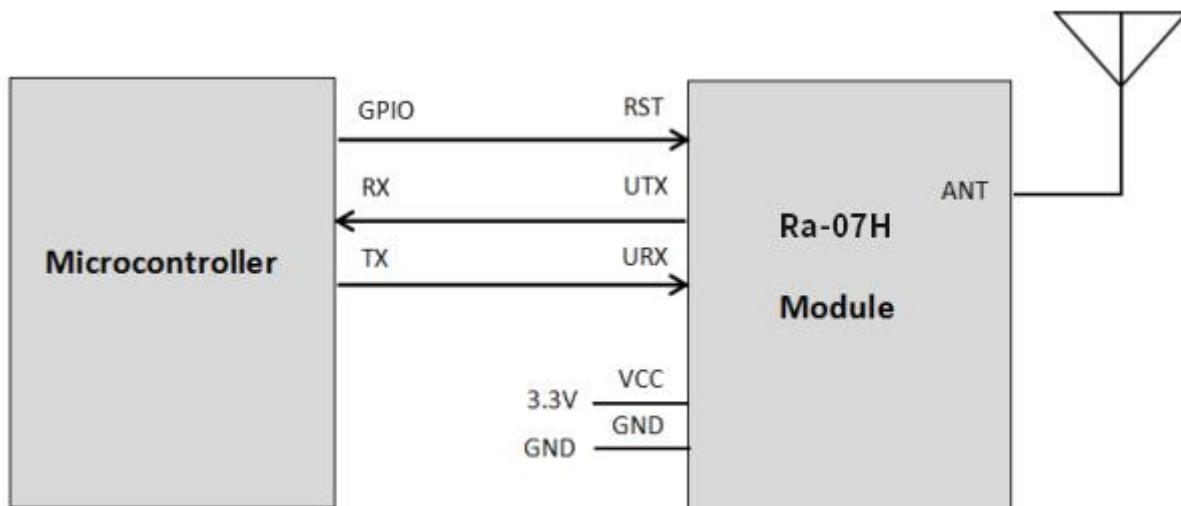


6. Design Guidance

1、Application Circuit

Connect the module's serial port and reset pin RESET to the user's main control MCU to perform serial port communication.



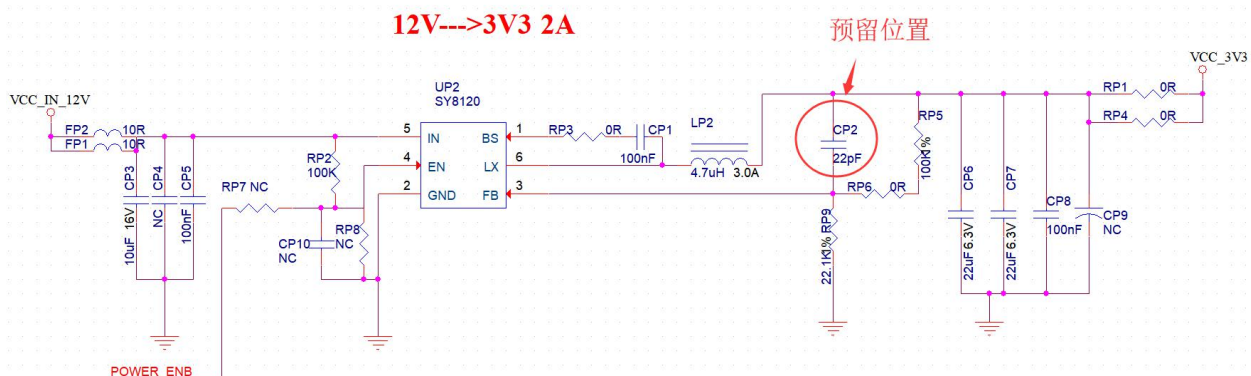


2、Antenna layout requirements

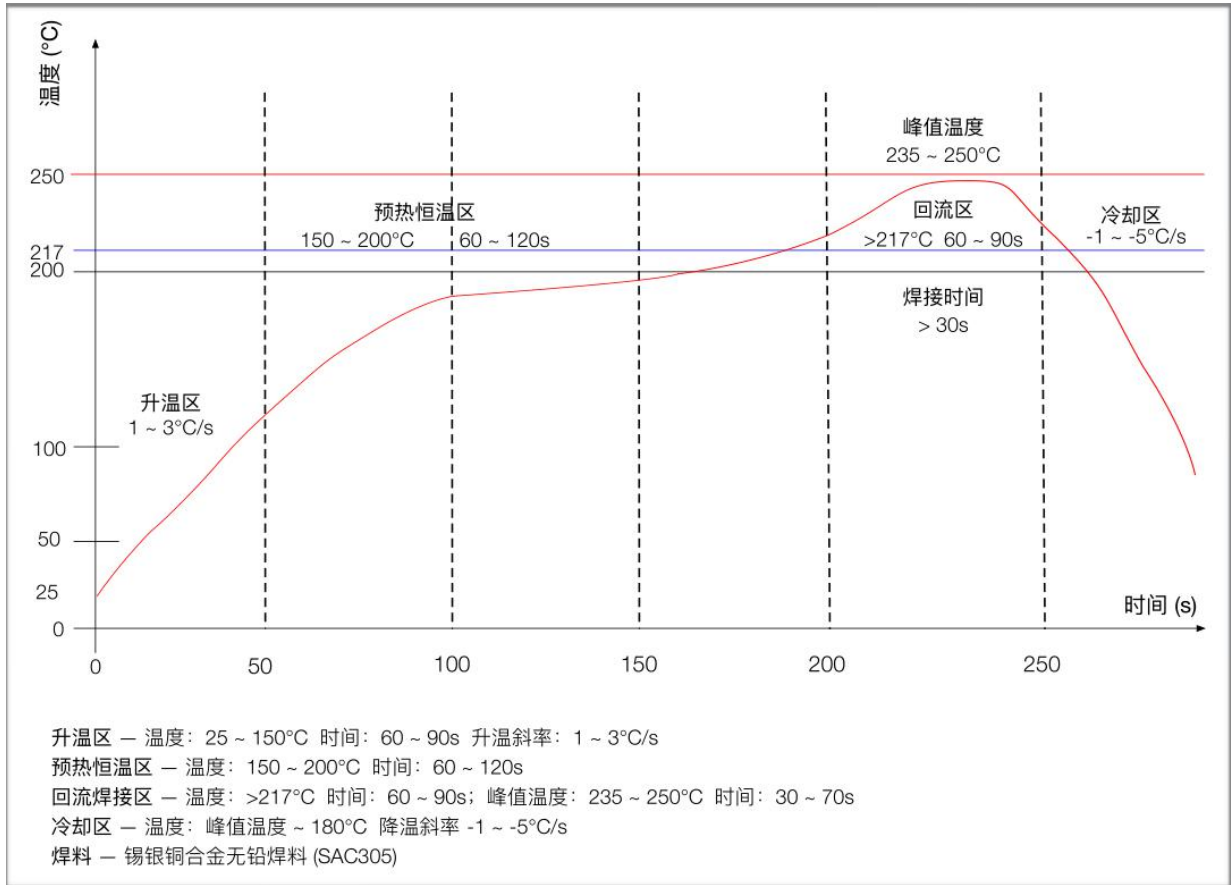
(1)、Put the module on board edge, metal components are prohibited to be placed around the antenna, and module are requested to far away from the high frequency components.

3、Power Supply

- (1)、Recommended 3.3 V voltage, Peak:Current over 100mA .
- (2)、It is recommended to use the LDO power supply; If DC-DC is used, the ripple is controlled within 30 mV.
- (3)、DC-DC power supply circuit is recommended to reserve the position of the dynamic response capacitor, and the output ripple can be optimized when the load change is large.
- (4)、The power interface of 3.3V is suggest to increase ESD components.



7. Reflow Welding Curve



8. Package Information

As shown below, the packing of Ra-07H is a tape .



9. Contact us

Web: <https://www.ai-thinker.com>

Develop DOCS: <https://docs.ai-thinker.com>

Company forum: <http://bbs.ai-thinker.com>

Sampling purchasing: <https://anxinke.taobao.com>

E-mail: overseas@aithinker.com

sales@aithinker.com

Technic support: support@aithinker.com

Address: Room410, Building C, Huafeng Intelligence Innovation Port, Gushu, Xixiang,

Baoan District, Shenzhen China 518000

Tel: 0755-29162996

