

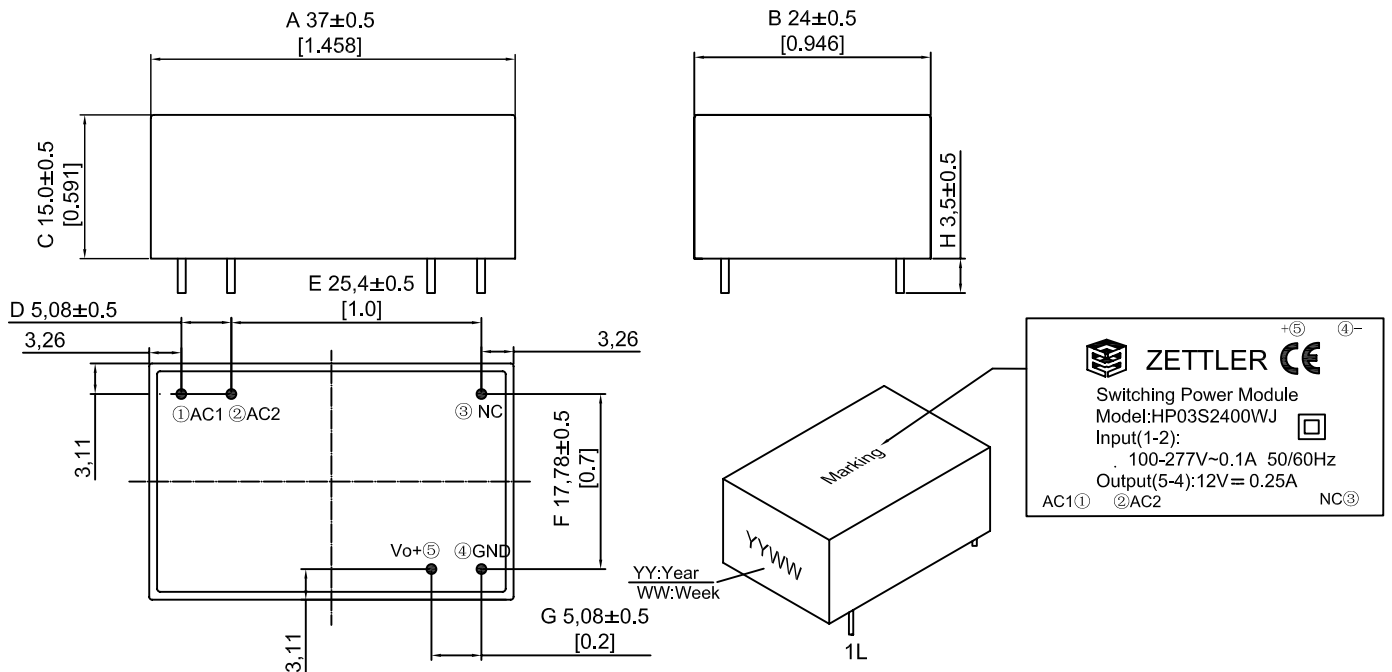
Switch Mode Power Module 3W Single Output

PAGE REV	DESCRIPTION	DATE	BY
A0	CREATED	2017-03-03	Wei
A1	Modified	2017-08-02	Wei
A2	Modified	2017-10-12	Wei

1. ELECTRICAL SPECIFICATIONS:

Model NO.	HP03S 0300WJ	HP03S 0500WJ	HP03S 0900WJ	HP03S 1200WJ	HP03S 1500WJ	HP03S 2400WJ	
Max Output Wattage (W)	3 W						
INPUT	Rated Voltage	100~277VAC					
	Voltage Range	85~305 VAC 47/63Hz(or 100-430VDC)					
	Inrush Current (<500us)	10 A max. (115 VAC) / 20 A max. (230 VAC)					
	No Load Losses	0.15W Max					
OUTPUT	Voltage (VDC.)	3.3V	5V	9V	12V	15V	24V
	Voltage Accuracy (Full Load)	± 3%					
	Current (mA) max	900	600	333	250	200	125
	Noise+Noise	Vout max(Vp-p) (With External filter components)					
		< 100mV		< 150mV		< 200mV	
Efficiency(Typ)	66%	72%	74%	76%	77%	78%	
PROTECTION	OPP (Over Power Protection)	Hiccup mode					
	SCP (Short Circuit Protection)	Hiccup mode					
WEIGHT (TYP)	23.1g(Ref.)						
SAFETY	Safety Standard	Refer to IEC60950-1/EN60950-1,IEC61558-1/EN61558-1, EN61558-2-6,EN61558-2-17					
EMC	EMI (Conducted & Radiated Emission)	Compliance With EN 55022 Class B					
	EMS (Noise Immunity)	Compliance With EN 55024,EN55014-1, EN55014-2,EN61000-3-2 Class A,EN61000-3-3					

2. MECHANICAL SPECIFICATIONS:



UNIT	TOLERANCE
MM[in]	X.X = ± 0.4
3RD ANGLE	X.XX = ± 0.3
	ANG = -
SCALE:	DATA
DRAWN: Wei	2017-10-12
CHECKED:	
APPROVED:	

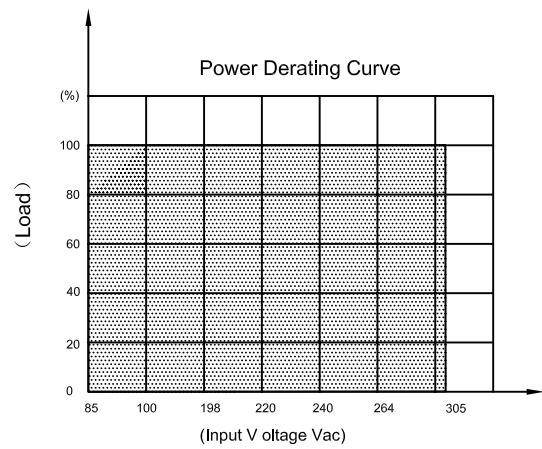
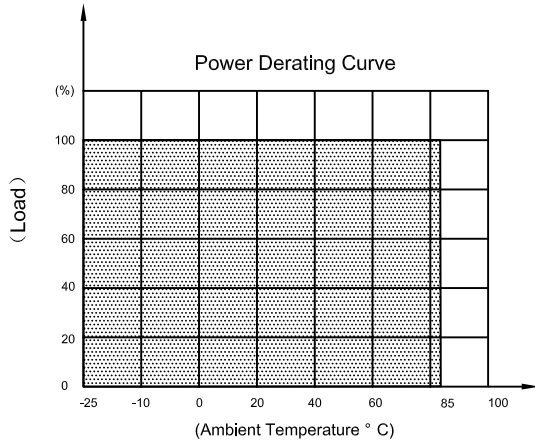
ZETTLER MAGNETICS

TITLE: 3W SINGLE OUTPUT SWITCH MODE POWER MODULE			
PART NO:	ZM Project:	SPEC REV: A/2	
HP03SXX00WJ	Customers p/n:	SH NO 1/2	

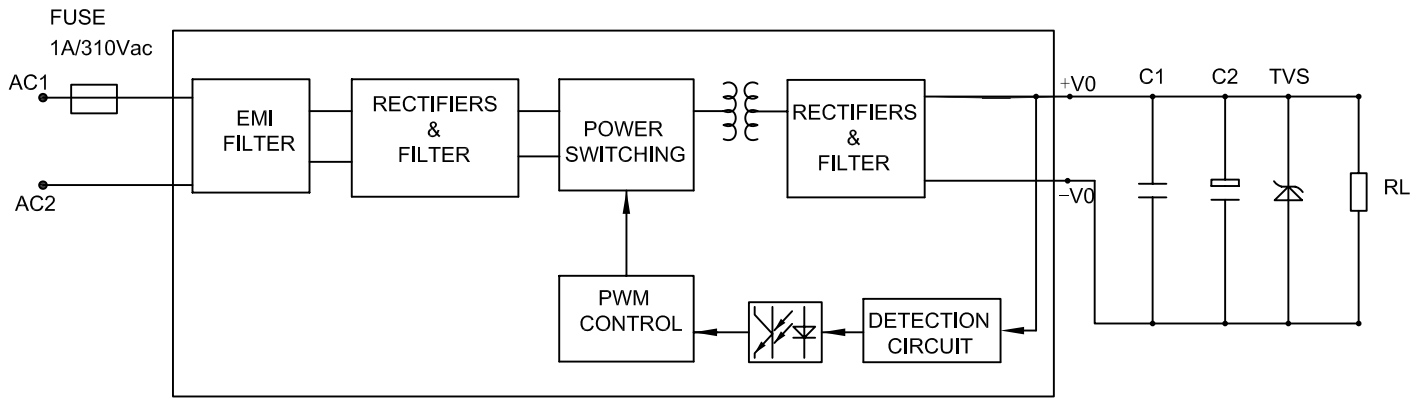
Web: www.zettlermagnetics.com
E-mail: sales@zettlermagnetics.com

PAGE REV	DESCRIPTION	DATE	BY
A0	CREATED	2017-03-03	Wei
A1	Modified	2017-08-02	Wei
A2	Modified	2017-10-12	Wei

3. DERATING:



4. SCHEMATIC DIAGRAM:



Note: The power supply is considered a component which will be installed into a final equipment. The final equipment must be re-confirmed that it still meet EMC directives.

Optional recommendations on external components:

C1 from output filter is electrolytic capacitor, High frequency low resistance capacitance is recommended; withstand voltage derating over 80 %.

C2 from output filter is ceramic capacitor, to remove high frequency noise.

TVS from output filter is to protect the rear circuit.

Fuse from input filter is to meet safety requirement. Type: 1A/310V Slow-Blow

5. ELECTRICAL TABLE:

ITEM	FULL LOAD POWER (W)		LOSS POWER (W)	OUTPUT VOLTAGE(VDC)		OVER POWER PROTECTION		SHORT CIRCUIT PROTECTION	HI-POT VOLTAGE
	Input: 100V 60Hz	Input: 277V 50Hz	Input: 100V/60Hz 277V/50Hz	Input: 100/60Hz / 277V/50Hz		Input: 100V 60Hz	Input: 277V 50Hz	Input: 277V/50Hz	5mA/2s
CONDITION									
TERMINAL	1--2	1--2	1--2	5--4		5--4	5--4	5--4	P--S
				0mA	mA				
STANDARD	4.8W MAX	4.8W MAX	0.15W MAX	±3%(3.3V±5%)	±3%(3.3V±5%)	≤ A	≤ A	Hiccup mode	4200Vdc

UNIT	TOLERANCE
MM[in]	X.X = ± 0.4
3RD ANGLE	X.XX = ± 0.3
	ANG = -

ZETTLER MAGNETICS

TITLE: 3W SINGLE OUTPUT SWITCH MODE POWER MODULE

PART NO:
HP03SXX00WJ

ZM Project: _____
Customers p/n: _____
SPEC REV: A/2
SH NO 2/2

Web: www.zettlermagnetics.com
E-mail: sales@zettlermagnetics.com

SCALE:	DATA
DRAWN: Wei	2017-10-12
CHECKED:	
APPROVED:	