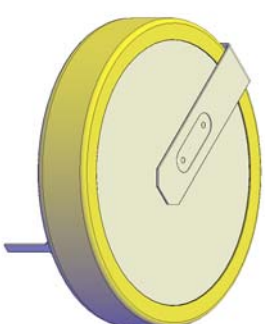
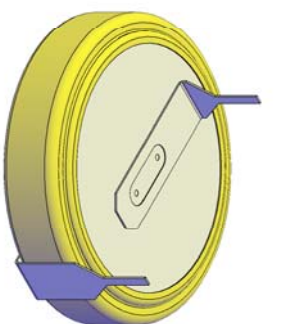
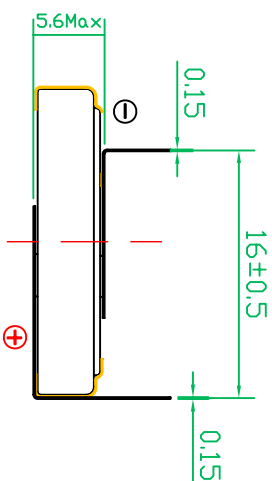
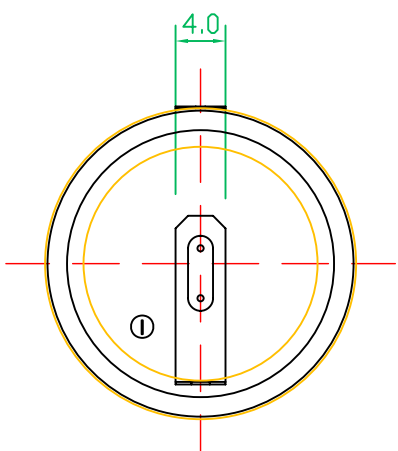
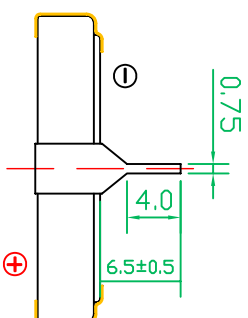
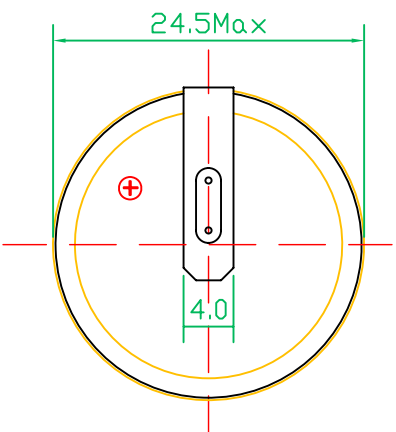
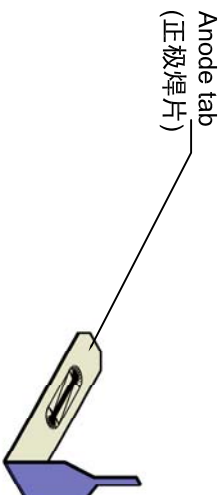
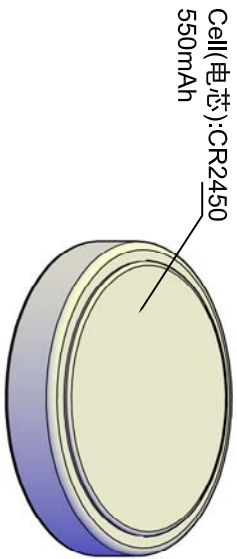
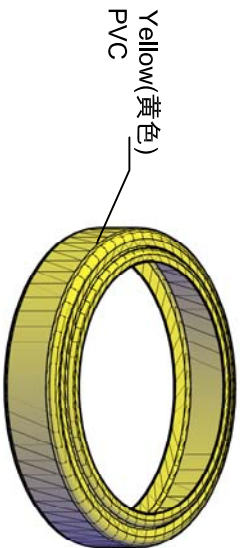
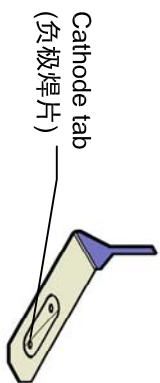


(Scale: 1.8 : 1)



Remark(备注):

1. Cell(电芯): Button, Yellow PVC, with date code(扣式, 包黄色 PVC, 表面喷码)
2. Cathode/Anode tab: Stainless steel plated with nickel
正/负极焊片材质: 不锈钢镀镍
3. RoHS Compliant
严格按照ROHS要求生产



EEMB BATTERY

Title		Drawn:		Hexin		Revise No.:		E4-2009	
CR2450-VBY2		Checked 1:		Jessie		Projection:		1/1	
File NO. A10254		Checked 2:		Approved:		Scale:		1.5: 1	
Draw Date: 2014/09/23		Unit:		mm					