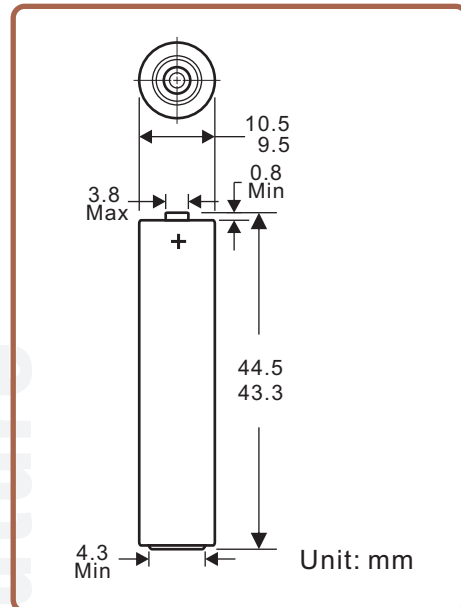


**AAA(R03P)**  
General Features



▶ <b>Designation</b>	IEC-R03 JIS-SUM4 ANSI-24D Others-AAA,1212
▶ <b>Chemical system</b>	Zinc-Manganese Dioxide(Zn/MnO <sub>2</sub> ) ※No added Mercury and Cadmium
▶ <b>Nominal Voltage</b>	1.5V
▶ <b>Weight</b>	Approx.7.2g
▶ <b>Terminal</b>	Flat
▶ <b>Storage Temperature</b>	20±2°C
▶ <b>Operating Temperature Range</b>	-10°C~45°C
▶ <b>Jacket</b>	PVC Jacket (Colour: red & green & yellow)
▶ <b>Shelf Life</b>	3 years at 20±2°C(80% of rated capacity)
▶ <b>Standards</b>	IEC60086



**Electrical Characteristics**

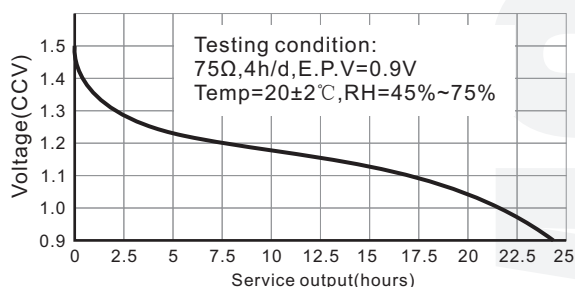
CONDITION	OCV (V)	CCV (V)	SCC (A)
Fresh Battery	1.70	1.45	3.5
After 3 mths	1.68	1.35	3.0
After 12 mths	1.65	1.32	2.8

Test Conditions Load resistance:3.9Ω±0.5%; Measuring time:0.3S; Temperature:20±2°C

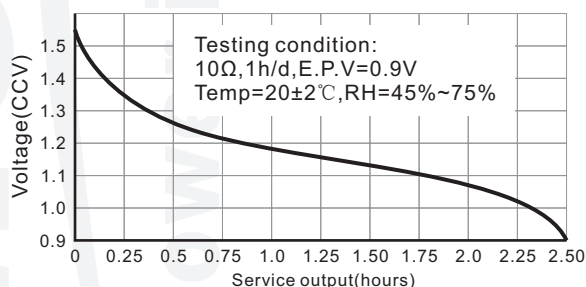
**Discharge Characteristics: (20±2°C, RH:45%~75%)**

Standard	Discharge Condition			Average Discharge Time		
	Discharge Load	Discharge Time	E.P.V.	Fresh Battery	After 3 months	After 12 months
IEC	75Ω	4h/d	0.9V	24.5h	23.0h	22.0h
IEC	10Ω	1h/d	0.9V	2.5h	2.4h	2.2h
IEC	5.1Ω	4m/h,8h/d	0.9V	85min	80min	78min
IEC	3.6Ω	15s/m,24h/d	0.9V	180pulse	160pulse	150pulse
REF	3.9Ω	24h/d	0.9V	38min	36min	35min

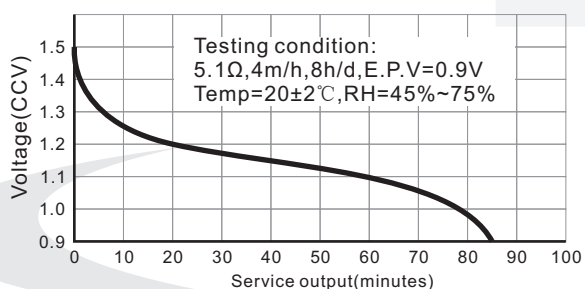
**Constant Resistance Performance**



**Constant Resistance Performance**



**Constant Resistance Performance**



**Constant Resistance Performance**

