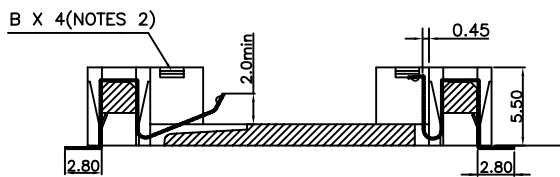
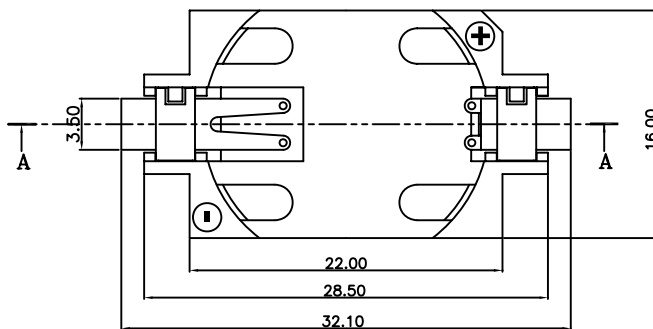


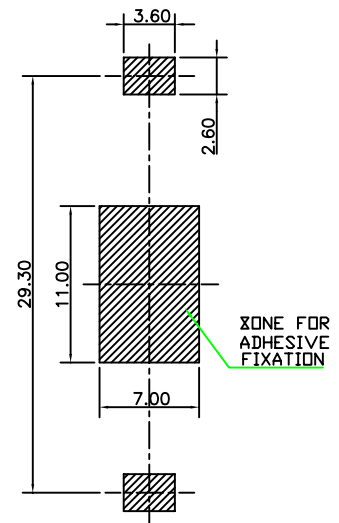
Battery holder for coin-type Lithium Battery

BH501(ForLIR/CR2016,2025,2032)

- *The battery is solidly anchored in the holder
- *Battery can be charged very easily and you are assured of reliable firm contact
- *There is no battery damage from short circuiting or soldering.
- *BH501 battery holder for CR and LIR series2016,2025,2032



SECTION A-A



PCB LAYOUT

NOTE:

1.MATERIAL:

- a.HOUSING:LCP+30%GF UL94 V-0
- b.CONTACT:PHOSPHOR BRONZE
(SURFACE PLATING:Sn100u"+Ni50u")

2.ELECTRIC:

- a.CONTACT RESISTANCE: 30 MILLIOHMS MAX
- b.INSULATION RESISTANCE: 1000 MEGA OHMS MIN
- c.DIELECTRIC VOLTAGE: 500V AC ONE SEC LEVEL
- d.OPERATING TEMPERATURE: -55°C- 105°C

Specifications subject to change without notice