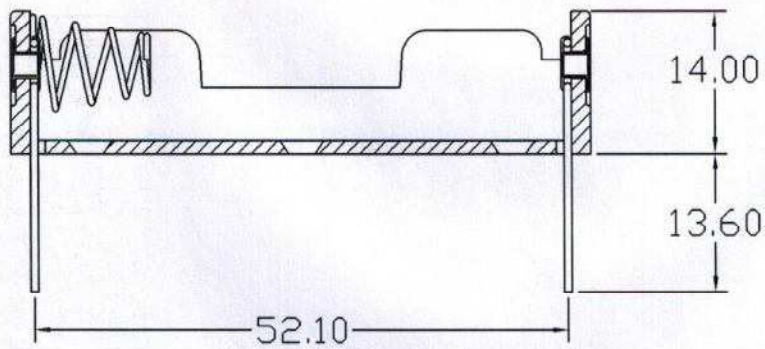
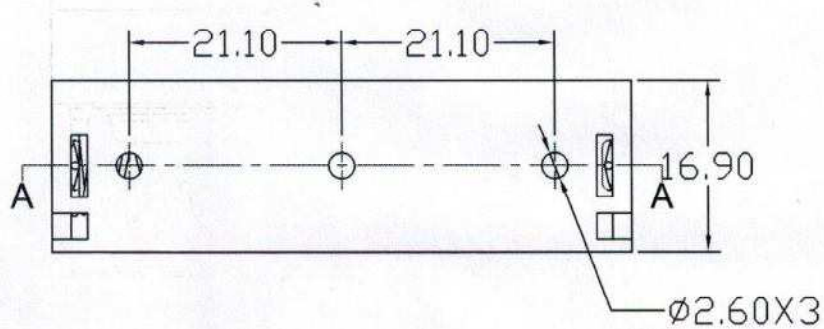
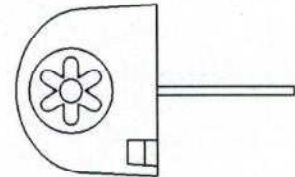
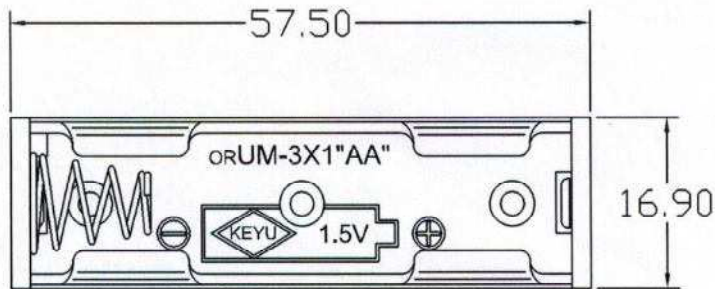
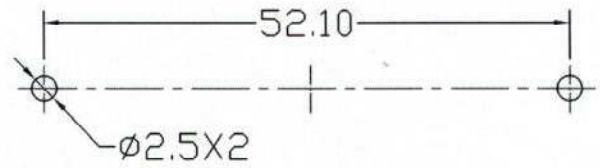


MOUNTING DETAIL



SEC A-A

NOTES:

1. MATERIAL: PP RESIN,
BLACK COLOR 94HB
2. SPRING: 0.6MM 65C SPRING
STEEL NICKEL PLATED
3. RIVET: BRASS NICKEL PLATED
4. SOLDED LUG: 0.8MM 65C
SPRING STEEL NICKEL PLATED