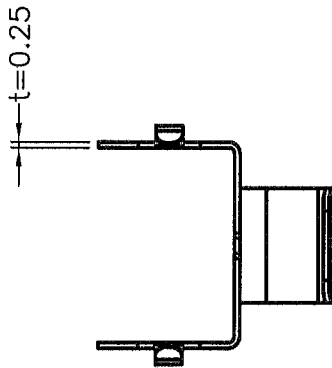
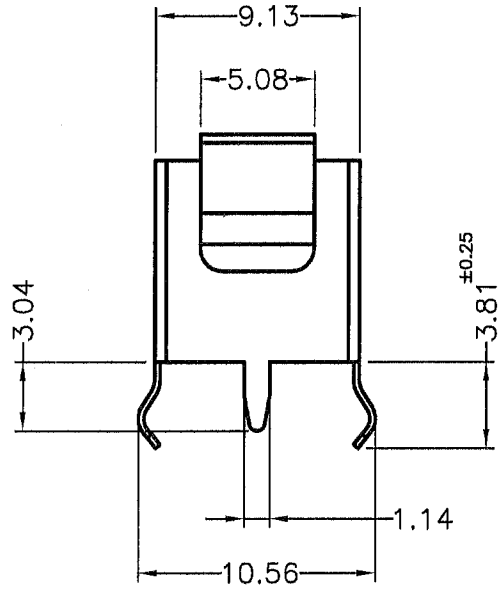
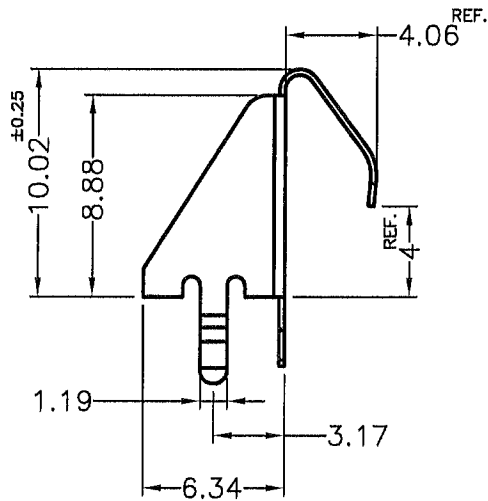

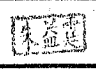
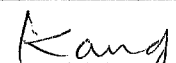


| REVISIONS |             |      |    |
|-----------|-------------|------|----|
| REV       | DESCRIPTION | DATE | BY |
|           |             |      |    |
|           |             |      |    |



康揚符合歐盟ROHS規範 (K. Y. Accord EU RoHS Compliant)

|              |          |
|--------------|----------|
| ★鉛Pb         | <1000PPM |
| ★鎘Cd         | < 100PPM |
| ★汞Hg         | <1000PPM |
| ★六價鉻Cr6+     | <1000PPM |
| ★多溴聯苯類PBBs   | <1000PPM |
| ★多溴聯苯醚類PBDEs | <1000PPM |

|  |           |                |                        |                                      |   |
|--|-----------|----------------|------------------------|--------------------------------------|---|
|  <p>康揚企業股份有限公司<br/>KANG YANG HARDWARE ENTERPRISE CO., LTD.<br/>康揚塑膠(東莞)有限公司<br/>KANG YANG PLASTIC(DONG GUAN) CO., LTD.<br/>康哲電腦配件(吳江)有限公司<br/>KANG CHE COMPUTER COMPONENTS(WUJIANG) CO., LTD.</p> |           | TITLE          | SNAP-IN SPRING CONTACT | TITLE                                | SPEC. DWG.  |
|  |           | MATERIAL       | SPRING STEEL           | DATE                                 | 2014.02.17  |
|  |           | FINISH         | NI PLATED              | DRAWN                                | ALBERT  |
|  |           | COLOR          |                        | CHECK                                |  |
| PART NUMBER  | PCB-68HNI | DRAWING NUMBER | PCB-68HNI              | UNLESS OTHERWISE SPECIFIED TOLERANCE | ±0.2  |
| SIZE   | A4        | SCALE          | 3:1                    | UNIT                                 | mm  |
|  |           | REV            | A                      | APPROVED                             |  |