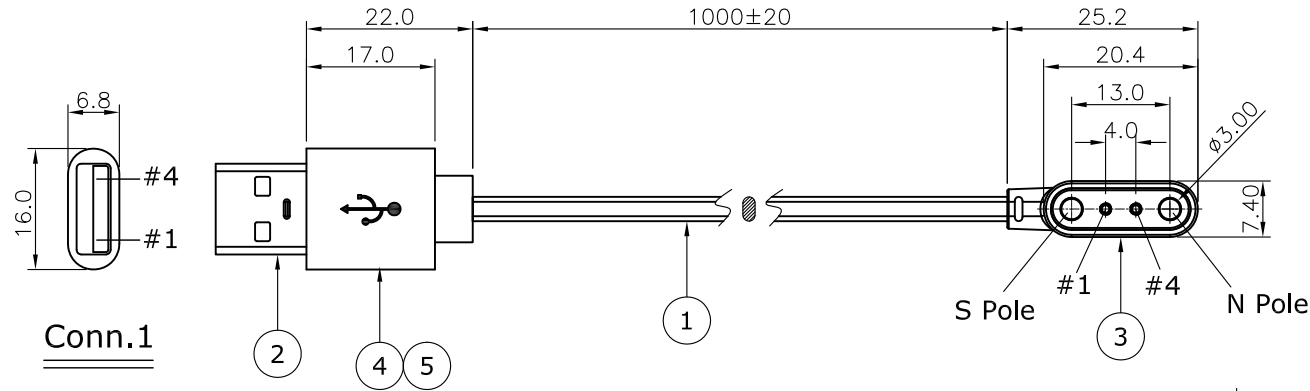


REV.	DESCRIPTION	DRAWN	DATE
1	INITIAL RELEASE	TIM	2022/07/13

NOTES:

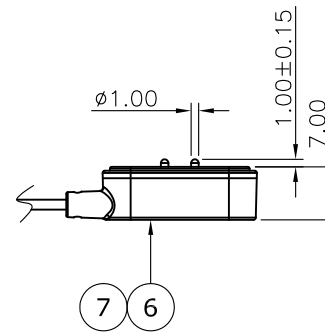
1. All cable 100% testing, any open, mis-wiring, short & intermittent are not permitted
2. RoHS compliance
3. Rating: 12 Volts/ 2 Amp
4. CONN.2 pogo pin, contact force 50gf max. at 1mm stroke, durability 50,000 cycles



Conn.2

PIN ASSIGNMENT

Conn.1	Conn.2
1	1 VCC
2	
3	
4	4 GND



7	xg	Over mold, PVC 35P, white, T/N: 2020062-WM
6	xg	Inner mold, PE
5	xg	Over mold, PVC 35P, white
4	xg	Inner mold, PE
3	1PC	CONN.2: Pogo Pin, 2P with Magnet, white
2	1PC	CONN.1: USB Type A male, white
1	1PC	Flat cable, 2C*(43/0.08), OD:1.6*3.2, PVC white

NO.	Q'ty	DESCRIPTION
UNLESS OTHERWISE SPECIFIED TOLERANCE		
UNIT:	1~10 ±1 11~30 ±2 31~50 ±3 51~200 ±5	>401 ±10 ANGLE ±5°
mm		
www.attend.com.tw		
DRAWN	Tim	2022/07/13
CHECKED	Angel	2022/07/13
APPROVED	Allen	2022/07/13
DRAWN NAME:		USB 2.0 A to Pogo magnet, L=1M, white
CUSTOMER NO.		
SCALE	SHEET	SIZE
1/1	1/1	A4
PRODUCT NO.		US-4P2P-2022008A

