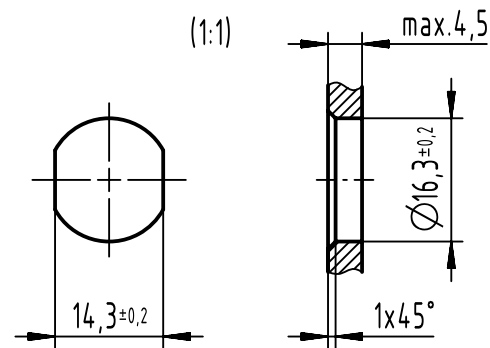
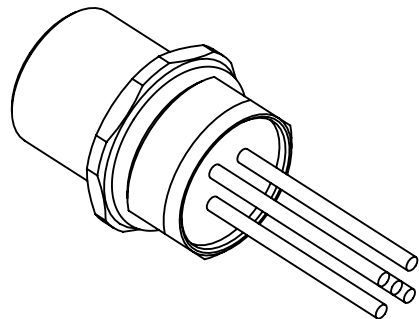
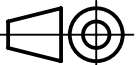



Panel cut out
(1:1)



order lock nut separately



	All Dimensions in mm Original Size DIN A4		Scale 2:1	Free size tol.		Ref.
						Sub.
	All rights reserved		Created by BUSSMANTT	Inspected by 104.122	Standardisation SAP_WFRT	Date 2022-07-11
	Department EL PD		Title M12-PFT-CRIMP-5P-BCOD-F-0.2			State Final Release
HARTING D-32339 Espelkamp			Type TB	Number 21033392301		Doc-Key / ECM-Nr. 100202732/UGD/003/C 500000220836
					Rev. C	Page 1/1