

A B C D E F G H I J

1

2

3

4

5

6

1

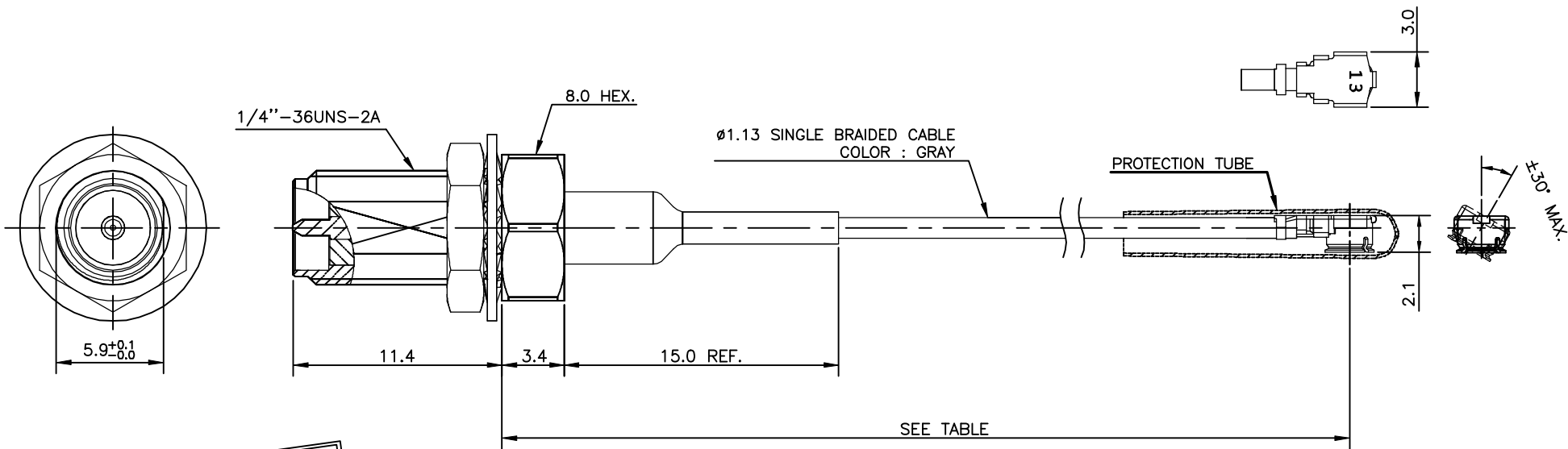
2

3

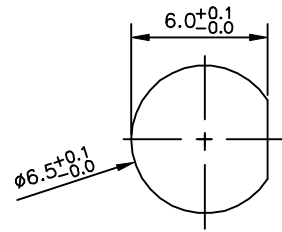
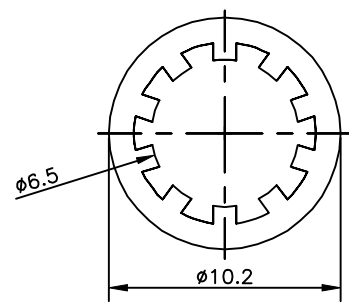
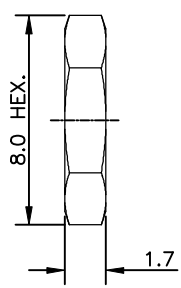
4

5

6



PROPOSAL DRAWING



RECOMMENDED MOUNTING HOLE
MAX. PANEL THICKNESS : 2.8 MM

LENGTH & TOLERANCE	PART NUMBER
100.0 ±2.0	ARC94D11N-0100C
150.0 ±2.0	ARC94D11N-0150C
200.0 ±2.0	ARC94D11N-0200C
250.0 ±2.0	ARC94D11N-0250C
300.0 ±2.0	ARC94D11N-0300C

REV.	DESCRIPTION	ECN NO.	NAME	CHECK	DATE
1	PROPOSAL ONLY	---	KEN		2020/11/17

REVISIONS

QUALITY SYMBOLS MAJOR Ⓢ CRITICAL Ⓢ	DRAWN BY Ken Kan	DATE 2020/11/17	
	CHECKED BY	DATE	
GENERAL TOLERANCES (UNLESS SPECIFIED) 0.5 - 6 = ±0.1 6 - 30 = ±0.2 30 - 120 = ±0.3 120-315 = ±0.5 315-1000 = ±0.8 1000-2000 = ±1.2	APPROVED BY	DATE	TITLE KS CONNECTOR TO RP-SMA ST. JACK FOR Ø1.13 SINGLE BRAIDED GRAY CABLE
	UNITS mm		SIZE A4
SCALE 3:1	SHEET NO. 1 OF 2	REV 1	DWG NO. C-ARC94D11N-xxxxC

NOTES :

1. MATERIAL

- 1.1 RP-SMA CONNECTOR
 - 1.1.1 BODY, CONTACT, FERRULE, LOCK WASHER, NUT : BRASS
 - 1.1.2 INSULATOR : PTFE
- 1.2 KS CONNECTOR
 - 1.2.1 HOUSING : P.BRONZE
 - 1.2.2 INSULATOR : PA66 UL94V-0
 - 1.2.3 CONTACT : P.BRONZE
- 1.3 OTHER
 - 1.3.1 Ø1.13 SINGLE BRAIDED CABLE : FEP (JACKET)
 - 1.3.2 HEAT SHRINK TUBE : PE
 - 1.3.3 PROTECTION TUBE : PE

3. ELECTRICAL PERFORMANCE

- 3.1 IMPEDANCE : 50 Ω
- 3.2 FREQUENCY RANGE : 0~6.0 GHz
- 3.3 VOLTAGE RATING : AC60V MAXIMUM
- 3.4 INSULATION RESISTANCE : 500 MEGOHMS MINIMUM
- 3.5 DIELECTRIC WITHSTANDING VOLTAGE : 200V AC IN 1-MINUTE

2. FINISH



- 2.1 RP-SMA CONNECTOR
 - 2.1.1 BODY, FERRULE, LOCK WASHER, NUT, CONTACT : GOLD 3u" OVER NICKEL
 - 2.1.2 INSULATOR : WHITE
- 2.2 KS CONNECTOR
 - 2.2.1 HOUSING : GOLD FLASH OVER NICKEL
 - 2.2.2 INSULATOR : BLACK
 - 2.2.3 CONTACT : GOLD 3u" OVER NICKEL
- 2.3 OTHER
 - 2.3.1 Ø1.13 SINGLE BRAIDED CABLE : GRAY
 - 2.3.2 HEAT SHRINK TUBE : BLACK
 - 2.3.3 PROTECTION TUBE : TRANSPARENT

4. OTHERS

- 4.1 THIS COMPONENT AND ITS HOMOGENEOUS SUB COMPONENTS ARE RoHS COMPLIANT

REV.	DESCRIPTION	ECN NO.	NAME	CHECK	DATE
1	PROPOSAL ONLY	---	KEN		2020/11/17

REVISIONS

QUALITY SYMBOLS MAJOR Ⓢ CRITICAL Ⓢ		DRAWN BY Ken Kan	DATE 2020/11/17	
GENERAL TOLERANCES (UNLESS SPECIFIED) 0.5 - 6 = ±0.1 6 - 30 = ±0.2 30 - 120 = ±0.3 120-315 = ±0.5 315-1000 = ±0.8 1000-2000 = ±1.2		CHECKED BY _____	DATE _____	
		APPROVED BY _____	DATE _____	TITLE KS CONNECTOR TO RP-SMA ST. JACK FOR Ø1.13 SINGLE BRAIDED GRAY CABLE
UNITS mm		SIZE A4	REF. NO. _____	
SCALE 3:1	SHEET NO. 2 OF 2	REV 1	DWG NO. C-ARC94D11N-xxxxC	