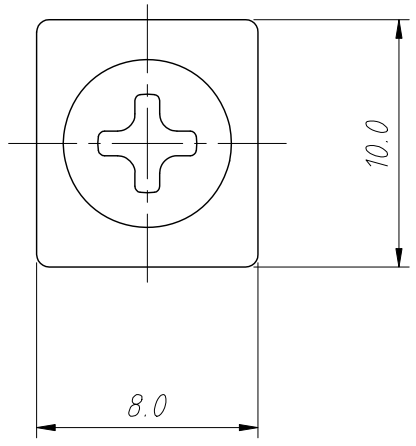
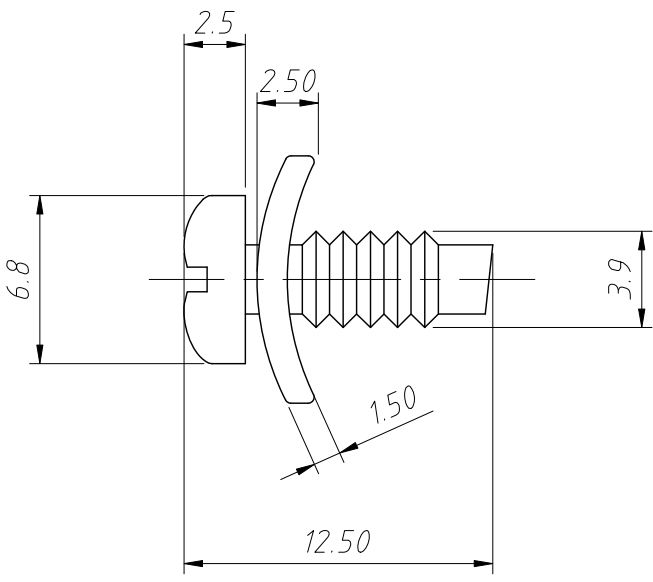


1
RoHS Compliance



Order Information:
 L-KLS8-M4×10-8×9
 L: RoHS
 Screw Size
 Tile Size

ANGLE TOLERANCE	PROJECTION	Description:	M4 Screw	
±3°				
GENERAL TOLERANCE	UNITS	mm	KLS P/N:	L-KLS8-M4×10-8×9
x.x ±0.30	SHEET SIZE	A4		
x.xx ±0.20	Draw:	Daniel	2022-05-15	NingBo KLS ELECTRONIC CO.,L TD.
x.xxx ±0.10	Check:	Daniel	2022-05-15	