

Numbering system:

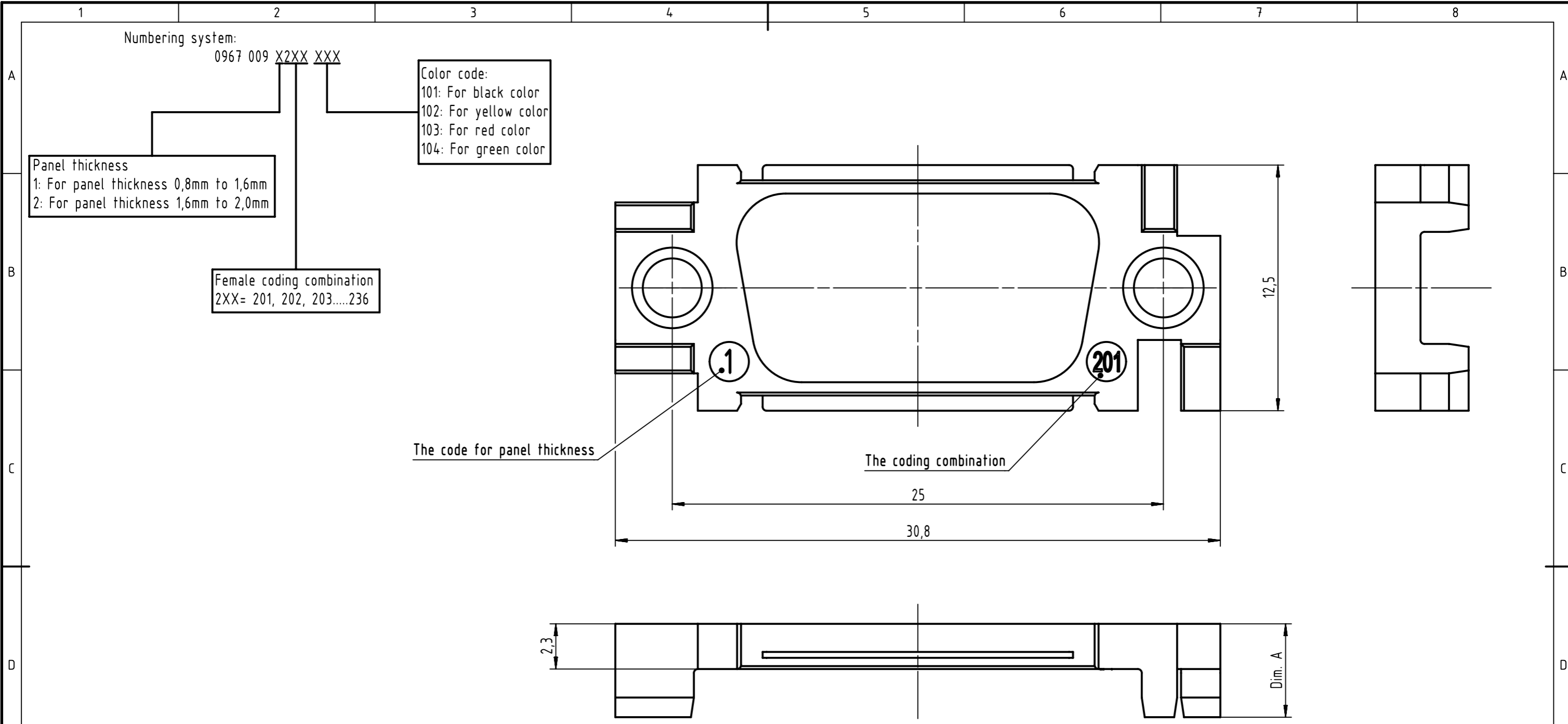
0967 009 X2XX XXX

Color code:
 101: For black color
 102: For yellow color
 103: For red color
 104: For green color

Panel thickness

1: For panel thickness 0,8mm to 1,6mm
 2: For panel thickness 1,6mm to 2,0mm

Female coding combination
 2XX= 201, 202, 203.....236



The code for panel thickness

The coding combination

Note:

The coding combination 201 show in the drawing for reference only.
 Pleas refer to the coding number system for actual selection.

0967 009 12XX XXX	5,15
0967 009 22XX XXX	4,75
Part number	Dim. A

Coating	A=	mm ²	V=	mm ³	m=	g	Mat.
	All Dimensions in mm Original Size DIN A3		Scale 5:1	Free size tol.		Ref. Sub.	
	All rights reserved Department EL PD		Created by SHENGJ	Inspected by WANGSTE	Standardisation ROEBEN	Date 2021-07-28	State Final Release
HARTING D-32339 Espelkamp		Title D-Sub 9P female coding system			Doc-Key / ECM-Nr. 100640512/UGD/013/A 500000200160		Rev. A
		Type TB	Number 0967009X2XXXXXX		Page 1/1		