

D-SUB Series

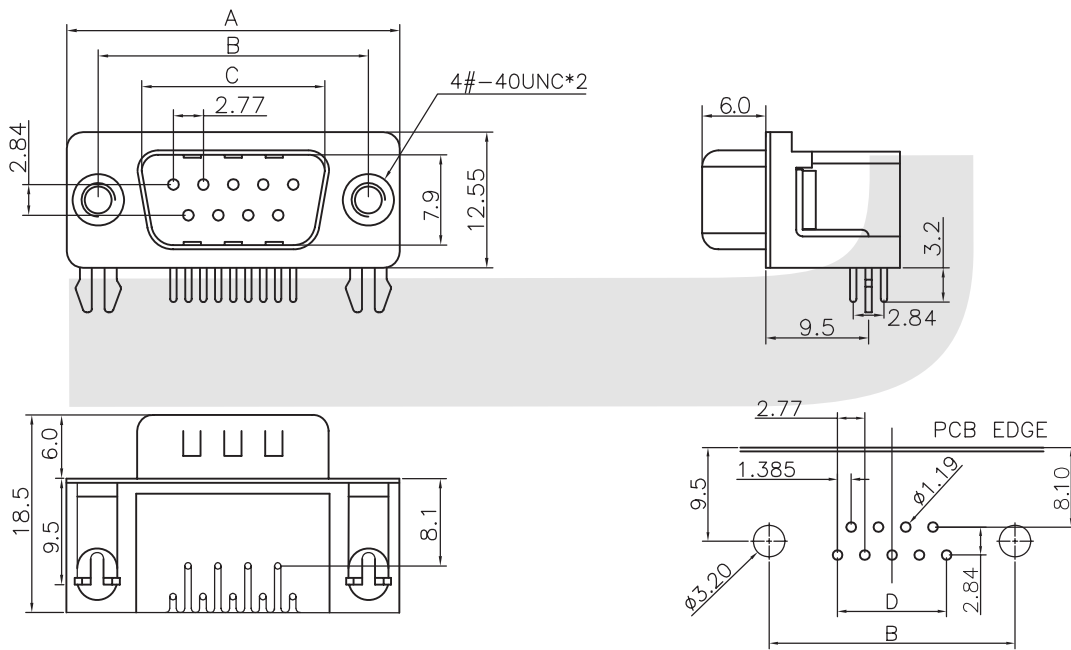
KLS1-215 D-SUB 2 ROW SOLDER RIGHT ANGLE 8.1 TYPE

Electrical Specification:

Current Rating: 2 AMP
 Insulator Resistance: 5000M ohms min. at DC 500V
 Contact Resistance: 20m ohms max. at DC 100mA
 Operating Temperature: -55°C~+105°C

Material:

Housing: 30% Glass filled PBT UL94V-0
 Contacts: Phosphor Bronze
 Shell: Steel, 100u" Tin Over 50u" min Nickel
 Clinch Nut: Brass, 100u" min Nickel Plated
 Screwlock: Brass, 100u" min Nickel Plated



SHELL SIZE	Dim A±0.20	Dim B±0.25	Dim C±0.38	Dim D
09 pin	30.80	24.99	16.92	11.08
15 pin	39.10	33.32	25.25	19.39
25 pin	53.00	47.04	38.96	33.24
37 pin	69.32	63.50	55.42	49.86

ORDER INFORMATION

Product NO.: KLS1-215-XX -M -L

Pos. NO. _____ L=Blue B=Black
 001=001 pos.
 Contact Number of Row _____
 215=DR Series
 Number of Contacts _____ M=Male F=Female

D-SUB Series

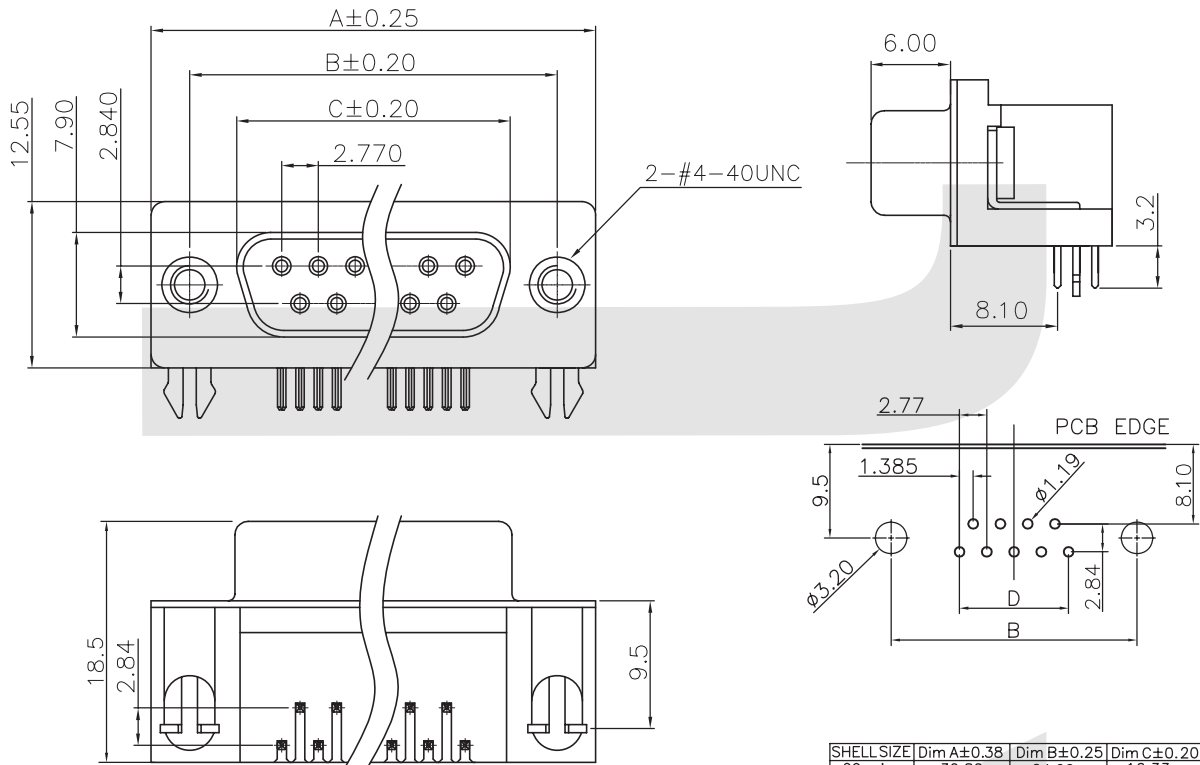
KLS1-215 D-SUB 2 ROW SOLDER RIGHT ANGLE 8.1 TYPE

Electrical Specification:

Current Rating: 2 AMP
 Insulator Resistance: 5000M ohms min. at DC 500V
 Contact Resistance: 20m ohms max. at DC 100mA
 Operating Temperature: -55°C~+105°C

Material:

Housing: 30% Glass filled PBT UL94V-0
 Contacts: Phosphor Bronze
 Shell: Steel, 100u" Tin Over 50u" min Nickel
 Clinch Nut: Brass, 100u" min Nickel Plated
 Screwlock: Brass, 100u" min Nickel Plated



SHELL SIZE	Dim A±0.38	Dim B±0.25	Dim C±0.20
09 pin	30.80	24.99	16.33
15 pin	39.10	33.32	24.66
25 pin	53.00	47.04	38.38
37 pin	69.32	63.50	54.84

ORDER INFORMATION

Product NO.: KLS1-215-XX -F -L

Pos. NO. _____ L=Blue B=Black
 001=001 pos.
 Contact Number of Row _____
 215=DR Series
 Number of Contacts _____ M=Male F=Female