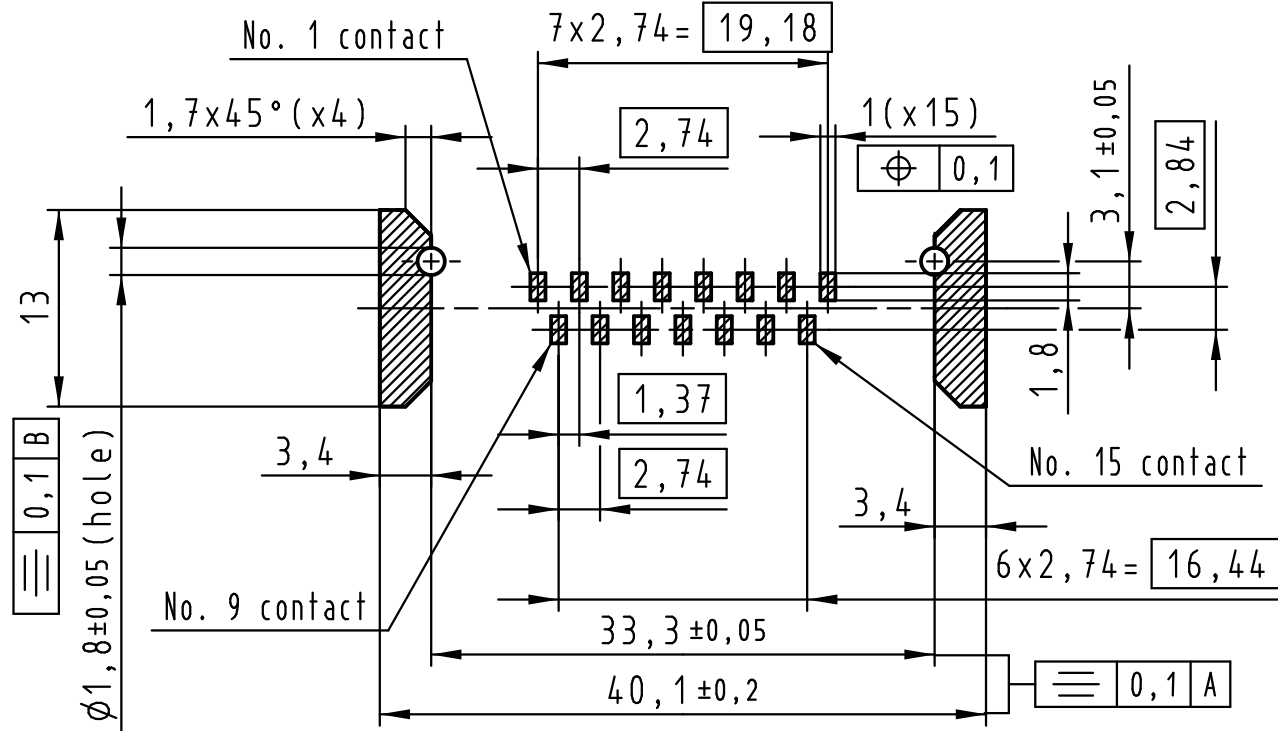
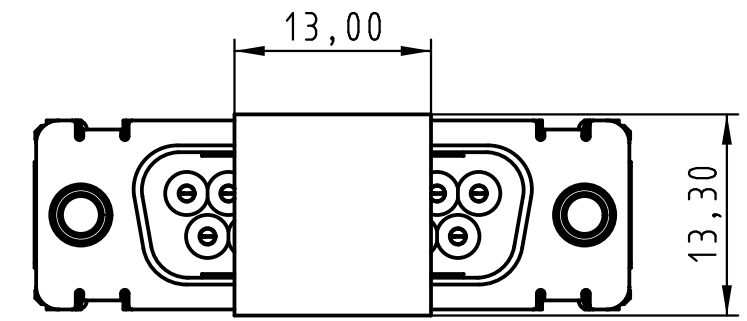
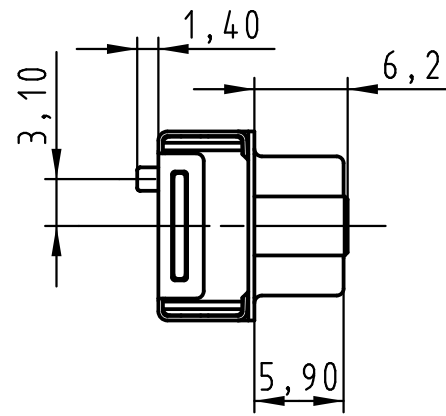
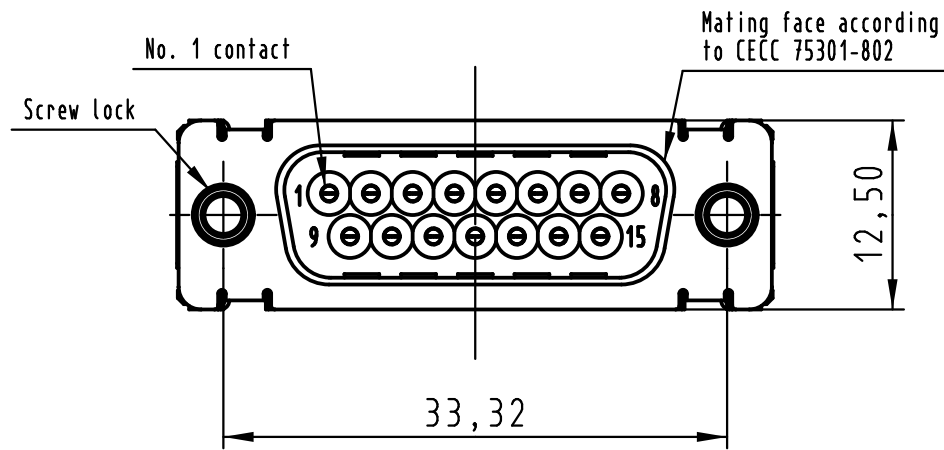
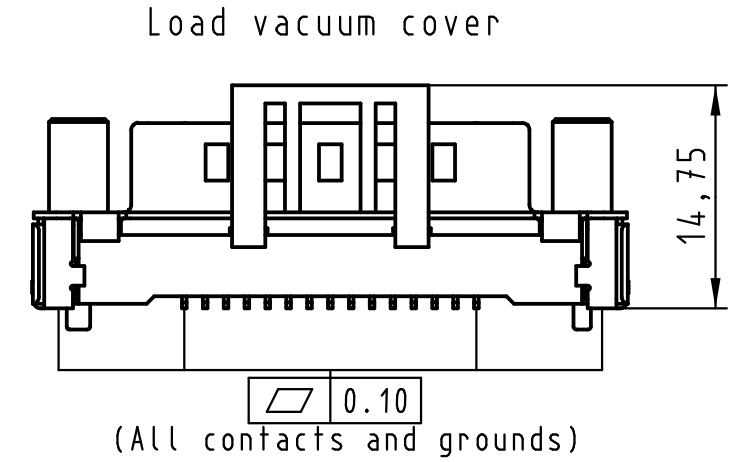
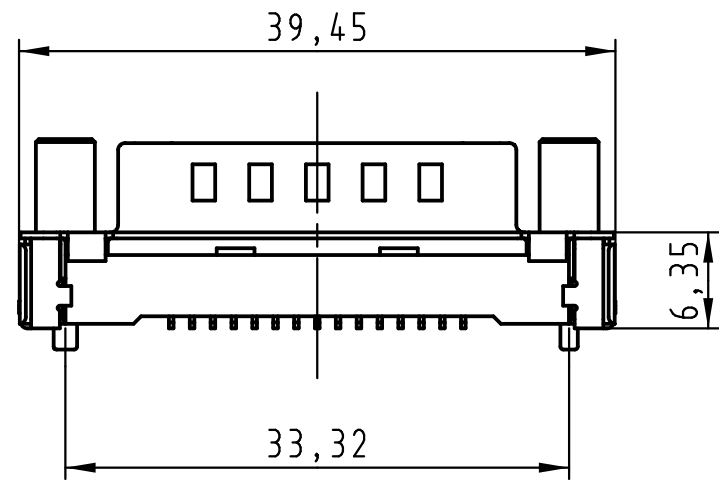


All rights reserved



Max. Temperature: 260° during 10 seconds.

0955 229 3821 741	1	M3	Black insulator	Reel Packaging: 140 connectors (See details on page2/2)
0955 229 3822 741	1	4-40 UNC		
0955 229 6821 741	2	M3		
0955 229 6822 741	2	4-40 UNC		
0955 229 7821 741	3	M3		
0955 229 7822 741	3	4-40 UNC		

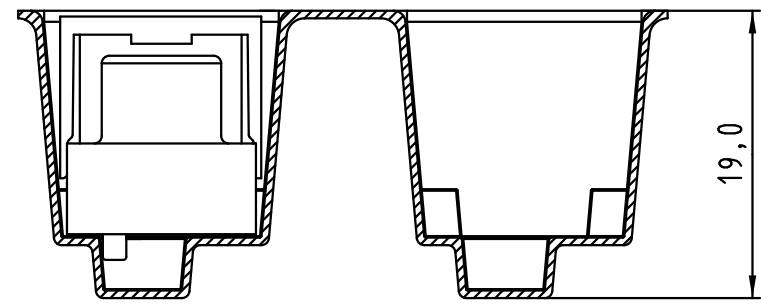
Part number		PL	Screw lock	Index designation	
		Techn. Character.		Free size tolerances	
		Dat.	Name	Scale	
		Detail.	25-Oct-11 Johnson.S	2:1	
		Insp.	17-Nov-11 Steven.W	D-Sub SMT, 15 poles Male, Straight with screw locks and ground pads	
		Stand.	17-Nov-11 Steven.W	TB 09 55 229 x82x	
EC04070	17-Nov-11	Johnson.S	Zhuhai HARTING Limited		
Mod.	Dat.	Name	Sub.		Page 1/2

PCB layout, component side

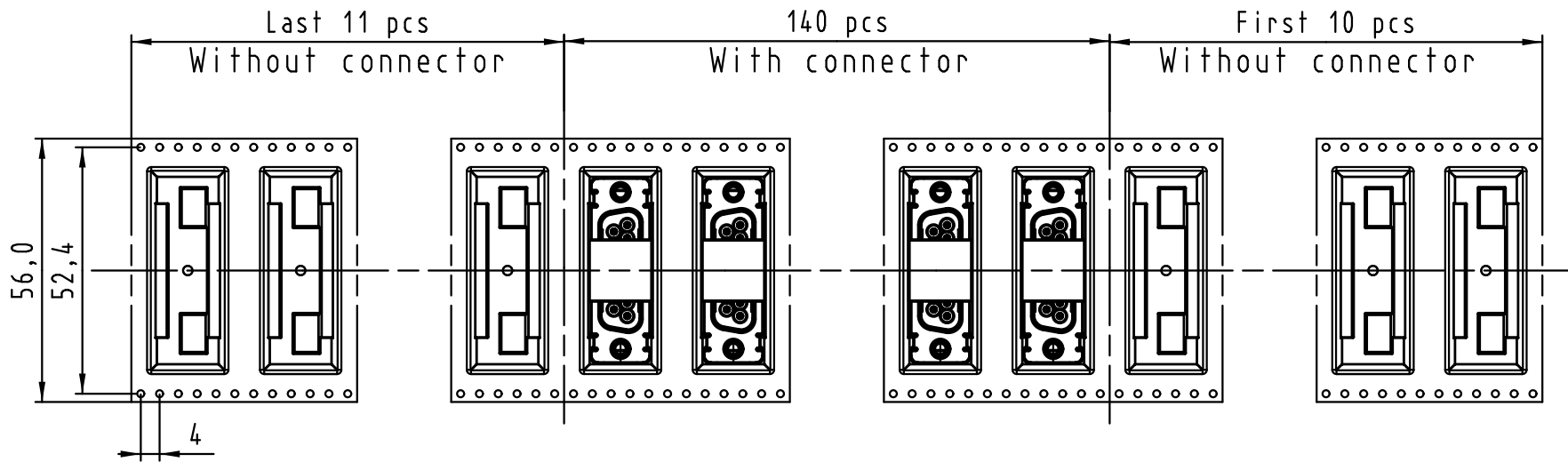
1 2 3 4 5 6 7 8

A

A



Detail A

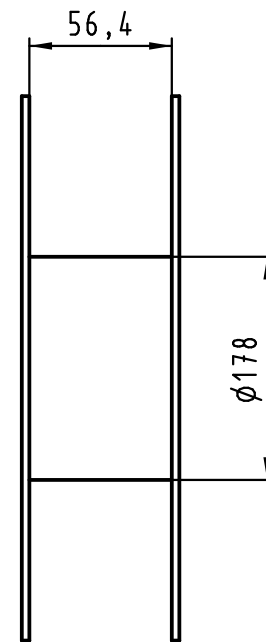
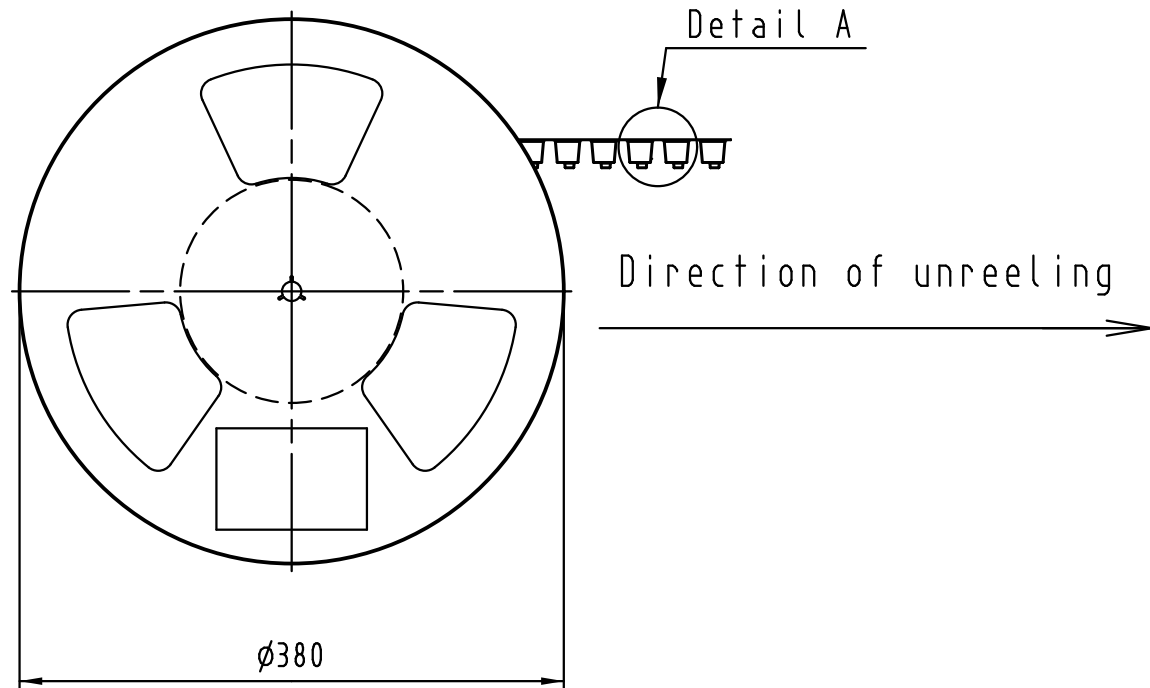


B

B

C

C



See TB 09 55 229 x82x folio 1/2 for connector dimensions and PCB layout

Packaging in accordance with EIA 481-2.

All rights reserved

D

D

E

E

0955 229 3821 741	1	M3	Black insulator	Reel Packaging: 140 connectors
0955 229 3822 741	1	4-40 UNC		
0955 229 6821 741	2	M3		
0955 229 6822 741	2	4-40 UNC		
0955 229 7821 741	3	M3		
0955 229 7822 741	3	4-40 UNC		
Part number	PL	Screw lock	Index designation	

All Dimensions in mm Original Size DIN A 3	Techn. Character.			Free size tolerances		
		Dat.	Name	Scale		
		Detail.	25-Oct-11	Johnson.S	D-Sub SMT, 15 poles Male, Straight with screw locks and ground pads	
		Insp.	17-Nov-11	Steven.W		
	Stand.	17-Nov-11	Steven.W			
EC04070	17-Nov-11	Johnson.S	Zhuhai HARTING Limited		TB 09 55 229 x82x	
Mod.	Dat.	Name			Sub.	

1 2 3 4 5 6 7 8

F