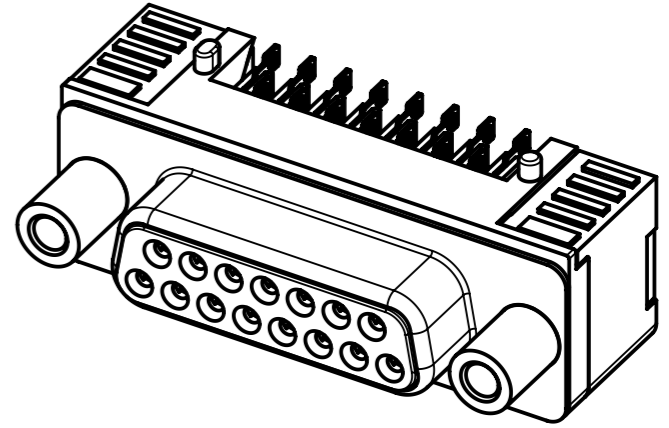
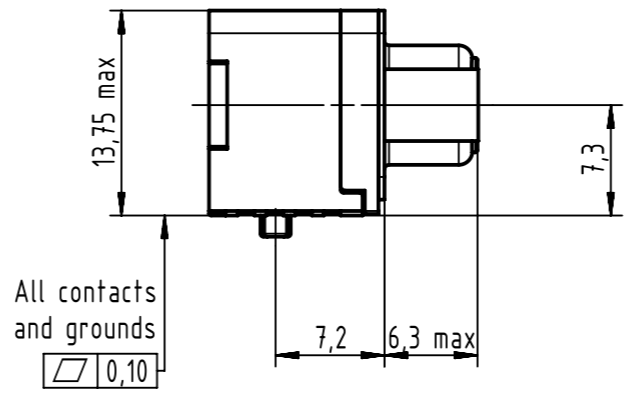
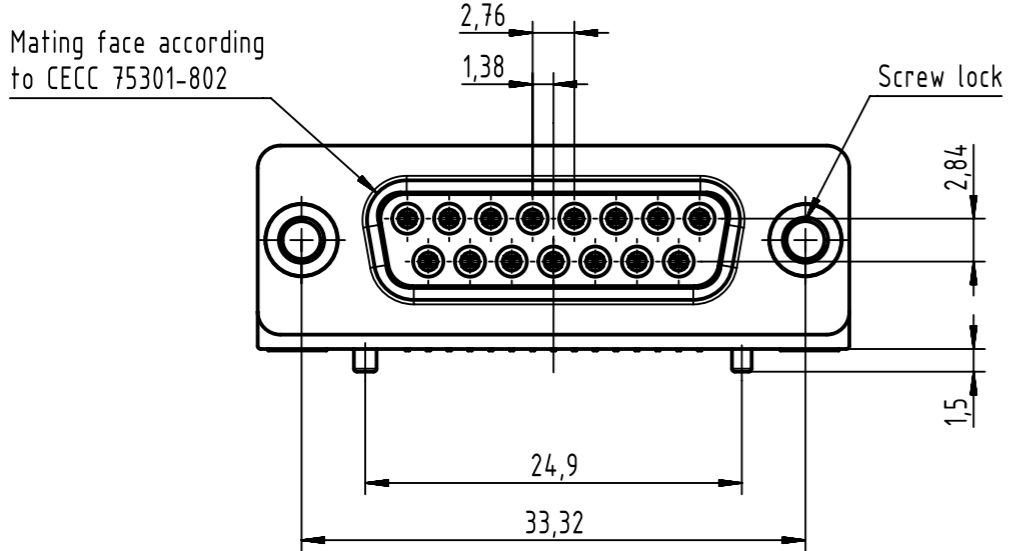
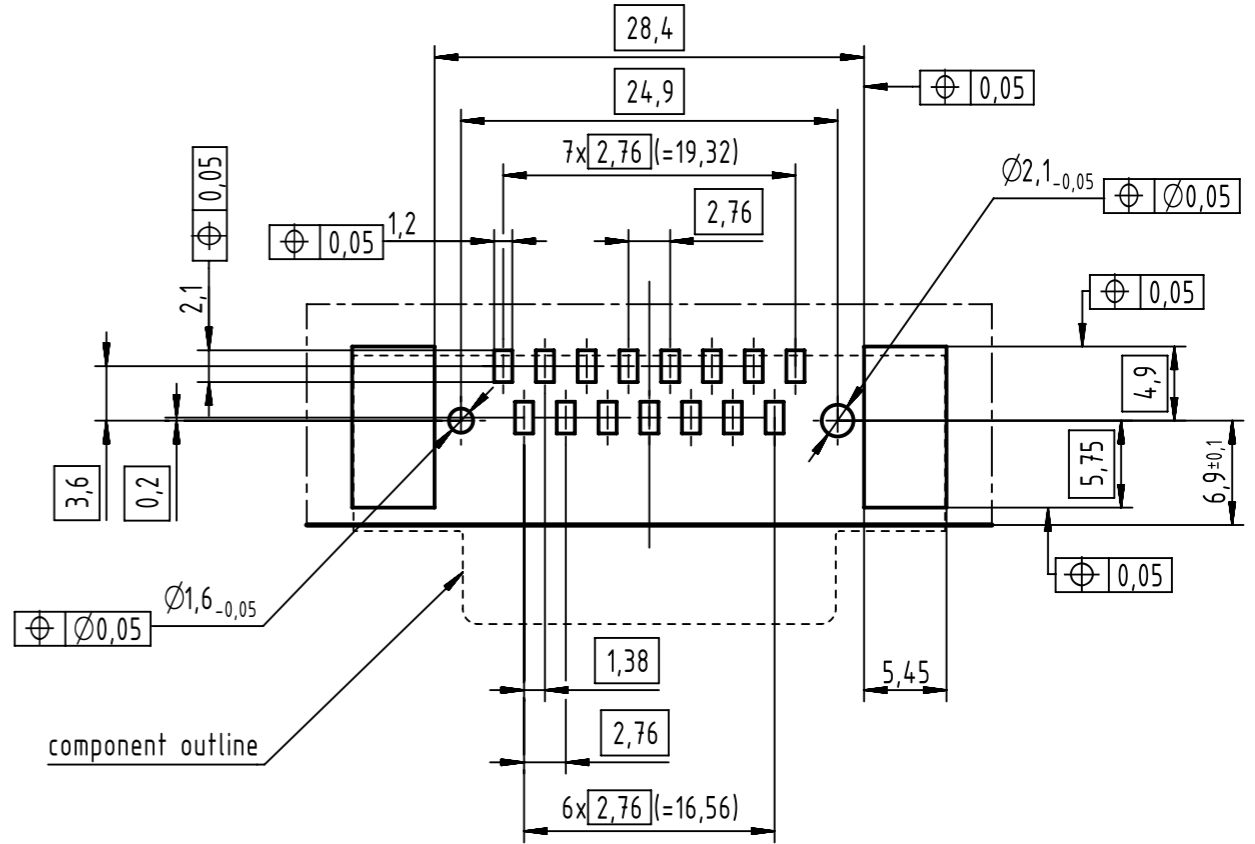


PCB layout, component side (thickness 1,6 min)



Max. Temperature: 260°C during 10 seconds.
Find further technical information on DS 09550200301.

0955 256 6622 333	2	4-40 UNC	Black insulator	Samples
0955 256 3622 741	1			Reel packaging (140 connectors)
0955 256 6622 741	2			
0955 256 7622 741	3	M3		
0955 256 3621 741	1			
0955 256 6621 741	2			
0955 256 7621 741	3			
Part number	PL	Screw lock		Index designation

	All rights reserved	Scale 2:1	Free size tol.	Ref.	
	Department EL PD	Created by ZHUANGJ	Inspected by LUOK	Standardisation HOFFMANN	Date 2018-11-16
HARTING Electronics GmbH		Title D-Sub angled standard SMT 15-pole female ass with screw lock			State Final Release
D-32339 Espelkamp		Type TB	Number 0955256X62X	Doc-Key / ECM-Nr. 100684632/UGD/001/C 500000141375	Rev. C
				Page 1/1	