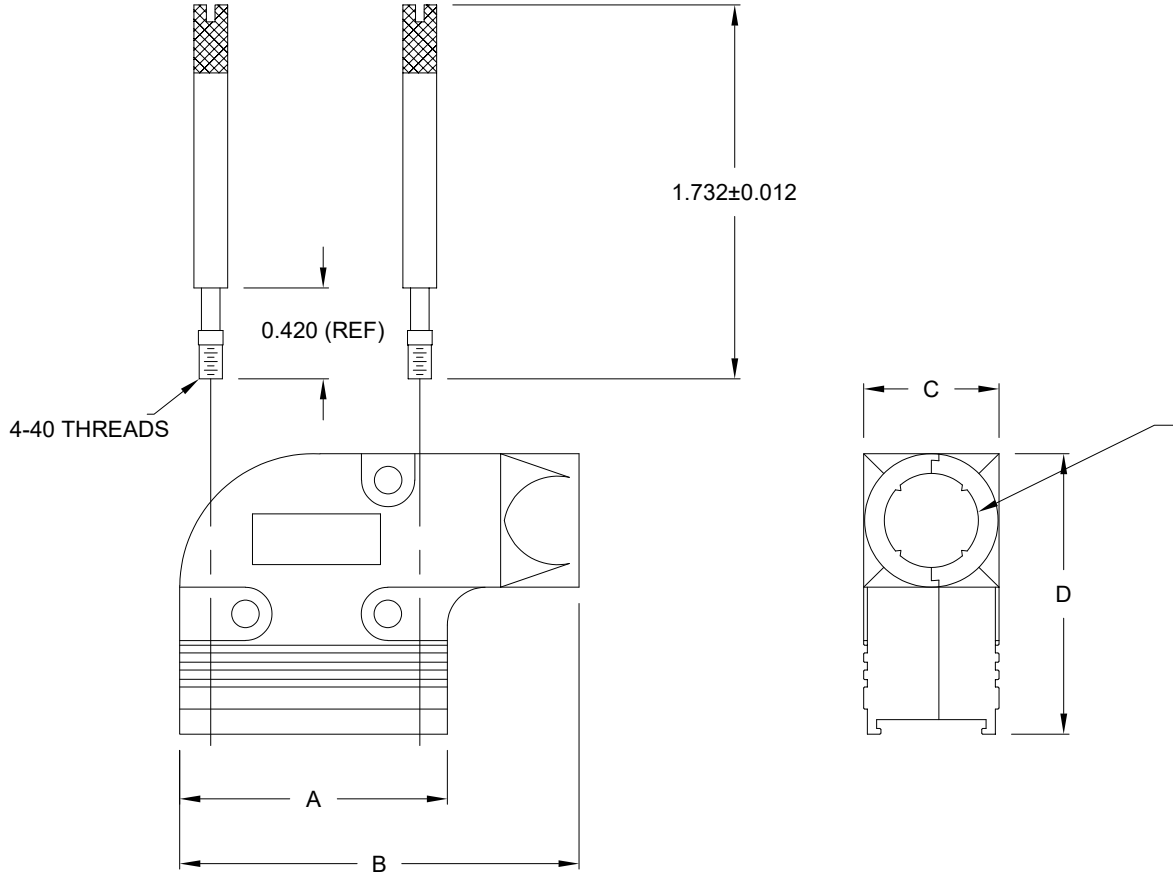


DIMENSIONS (IN.)				
No. OF PINS	A ^{+0.023} _{-0.025}	B ^{+0.030} _{-0.023}	C ^{+0.026} _{-0.020}	D ^{+0.031} _{-0.020}
9	1.265	1.850	0.630	1.300
15	1.580	2.314	0.630	1.300
25	2.130	2.840	0.630	1.300



BACKSHELL KIT INCLUDES:

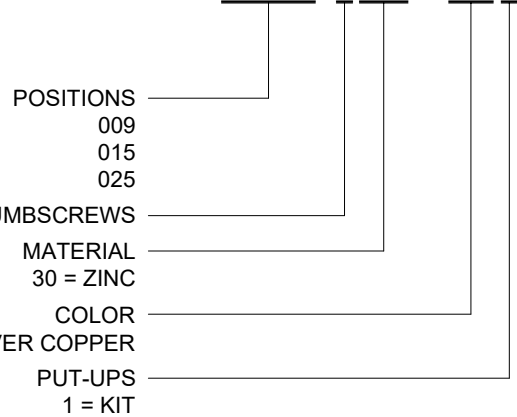
- (2) BACKSHELL HALVES
- (3) HOUSING SCREWS & NUTS (#4-40, RECOMMENDED TORQUE 5.2 in-lbs)
- (2) THUMBSCREWS (#4-40, RECOMMENDED TORQUE 60 in-oz)
- (1) GROMMET TREE (NON-CONDUCTIVE) [162-000-925R000]

GROMMET TREE SIZES INSIDE Ø (162-000-925R000)

- 0.185"
- 0.248"
- 0.290"
- 0.324"

MAX CABLE Ø WITHOUT GROMMETS
0.417" REF (RECOMMENDED TO SAMPLE TEST)

981-YYY-130R121



MATERIAL: DIE-CAST ZINC ALLOY, NICKEL PLATED
OPERATING TEMPERATURE: -45°C TO +120°C

RoHS COMPLIANT

UNITS = inch

DO NOT SCALE FROM DRAWING



THESE DRAWINGS AND SPECIFICATIONS ARE THE PROPERTY OF NorComp AND SHALL NOT BE REPRODUCED, COPIED OR USED AS THE BASIS FOR THE MANUFACTURE OR SALE OF APPARATUS WITHOUT WRITTEN PERMISSION.

DRAWN: C. SMITH
DATE: 02/16/2007

NorComp

SCALE: NTS	SHEET 1 OF 1	REV 10
DWG NO. 981-YYY-130R121		