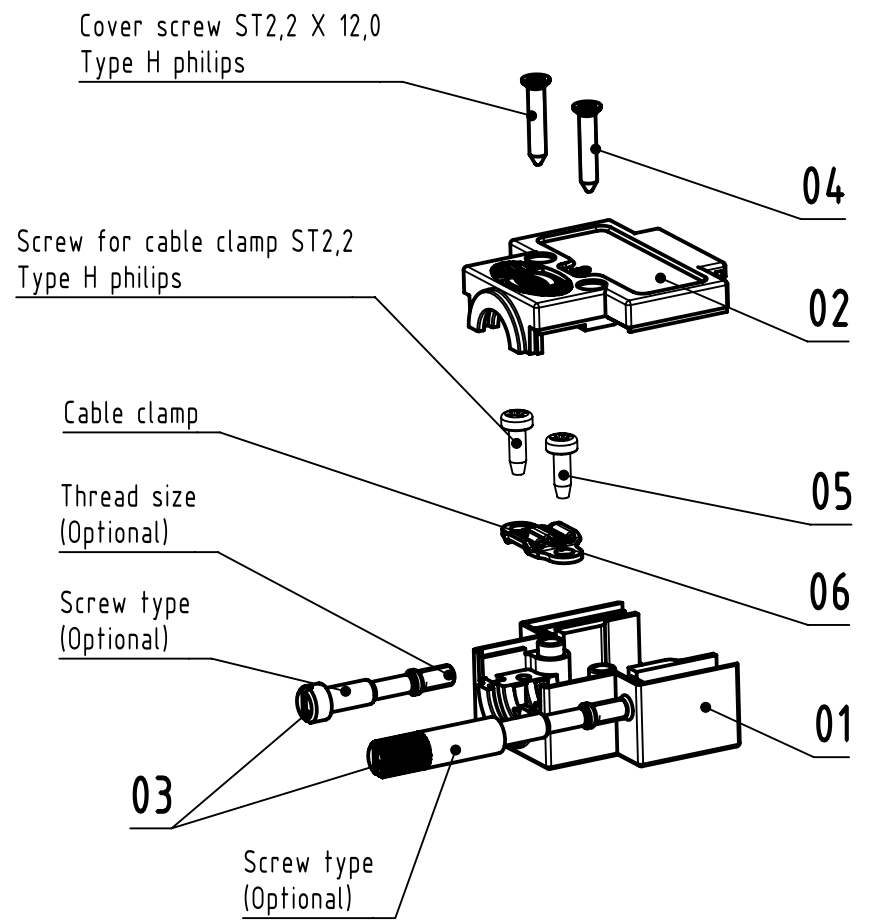


09 67 009 04X2 160			
09 67 009 0492 160	M3	Long locking screw	With ring
09 67 009 0432 160	4-40 UNC		without ring
09 67 009 0482 160	M3	Short locking screw	With ring
09 67 009 0442 160	4-40 UNC		Without ring
<b>Part number</b>	<b>Screw size</b>	<b>Screw type</b>	<b>Identification for locking screw</b>



Content D-Sub hood			Spare parts (MOQ100)	
Pos.	Quantity	Description	Part Number	Quantity
01	1	Bottom hood		
02	1	Top cover		
03	2	Locking screw:(Preassembled)		
		either slotted cheese head short locking screw 4-40 UNC( for 0967 009 0442 160)		
		or slotted cheese head short locking screw M3(for 0967 009 0482 160)		
		or knurled long locking screw 4-40 UNC(for 0967 009 0432 160)		
		or knurled long locking screw M3(for 0967 009 0492 160)		
04	2	Cover screw ST2,2		
05	2	Clamp screw ST2,2	0967 000 9944	1
06	1	Cable clamp	0967 000 9942	1

		All rights reserved Department EL PD		Created by ZENGDO Inspected by LUOK		Standardisation ROEBEN Date 2022-01-21 State Final Release		Ref. Sub. Doc-Key / ECM-Nr. 100946882/UGD/000/A 50000208988	
HARTING D-32339 Espelkamp		Title <b>D-Sub plastic hood 9-pole with locking screws</b>		Type <b>TB</b>		Number <b>096700904X2160</b>		Rev. <b>A</b> Page 1/1	