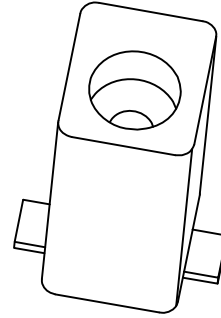
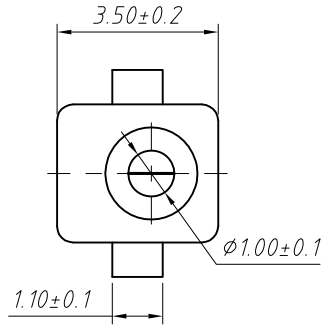
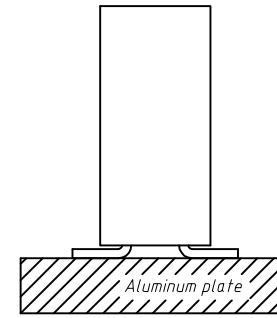
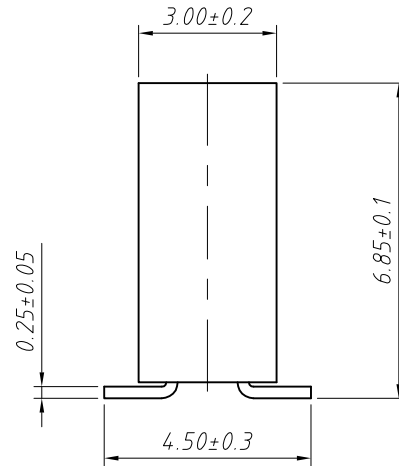
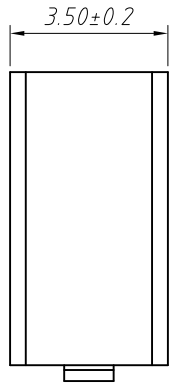


1 RoHS Compliant



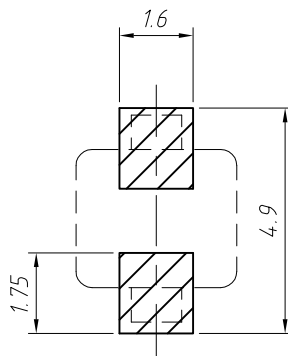
**MATERIAL**  
 Insulator:LCP,UL 94 V-0,Beige  
 Contacts:Phosphor Bronze,Tin-plated

**Main Specifications**  
 Poles:01P  
 Contact Resistance: ≤20mΩ  
 Insulation Resistance: ≥800MΩ  
 Rated Voltage:250V AC DC  
 Rated Current:1.0A AC DC  
 Withstanding Voltage:1000V AC/minute  
 Temperature Range: -25 °C ~ +105° C




**Order Information**  
 L-KLS2- L38 - 01P  
 Number of poles  
 Series No.  
 RoHS

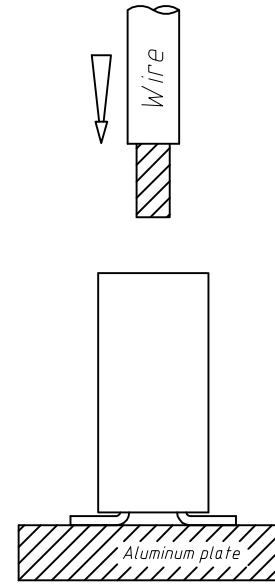
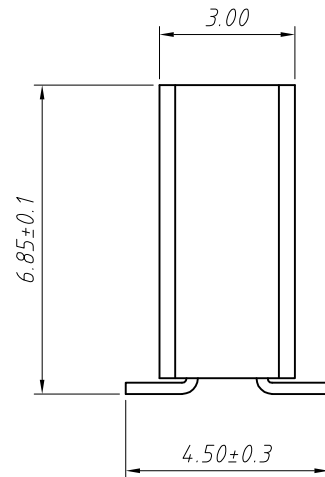
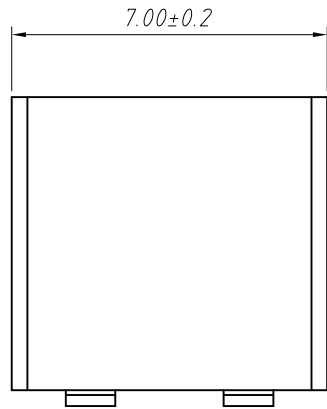
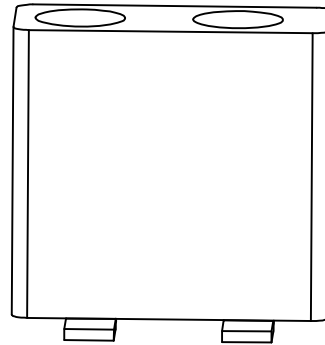
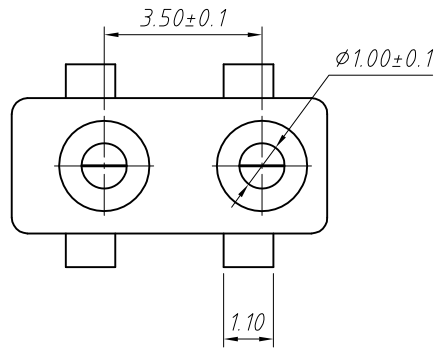
Assembly Layout



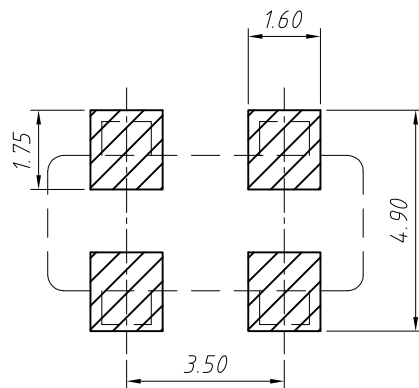
Board Layout

GENERAL TOLERANCE		ANGLE TOLERANCE		PROJECTION	Description:
.X ±0.15	.X ±5°	UNITS	mm	Wire to Board Link, Socket for LED Lighting,Pitch 3.5mm	
.X ±0.03	.X ±3°	SHEET SIZE	A4		
.XX ±0.05	.XX ±2°	KLS P/N:			L-KLS2-L38-XXP
Draw by:	Jenny	Date:	2018-03-10	 NingBo KLS ELECTRONIC CO.,L TD.	
Check by:		Date:	2018-03-10		
SCALE		SHEET	1 OF 1		

1 RoHS Compliant



Assembly Layout



Board Layout

**MATERIAL**  
 Insulator:LCP,UL 94 V-0,Beige  
 Contacts:Phosphor Bronze,Tin-plated

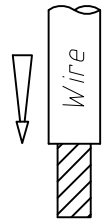
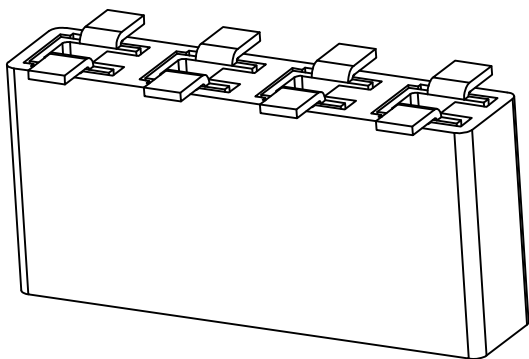
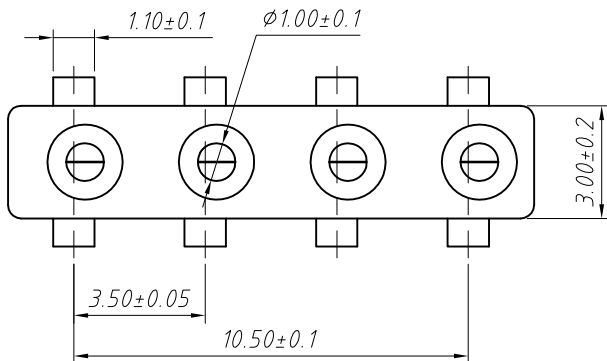
**Main Specifications**  
 Poles:02P  
 Contact Resistance: ≤20mΩ  
 Insulation Resistance: ≥800MΩ  
 Rated Voltage:250V AC DC  
 Rated Current:1.0A AC DC  
 Withstanding Voltage:1000V AC/minute  
 Temperature Range: -25 °C ~ +105° C

**Order Information**  
 L-KLS2- L38 - 02P  
 └──────────┬──────────┬──────────  
 Series No.    Number of poles  
 └──────────┬──────────  
 RoHS

GENERAL TOLERANCE		ANGLE TOLERANCE		PROJECTION		Description:
X. ±0.15		X. ±5°		UNITS	mm	Wire to Board Link, Socket for LED Lighting,Pitch 3.5mm L-KLS2-L38-XXP
.X ±0.03		.X ±3°		SHEET SIZE	A4	
.XX ±0.05		.XX ±2°			KLS P/N:	
Draw by:	Jenny	Date:	2018-03-10			NingBo KLS ELECTRONIC CO.,L TD.
Check by:		Date:	2018-03-10			
SCALE		SHEET	1 OF 1			

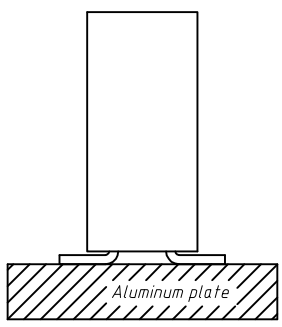
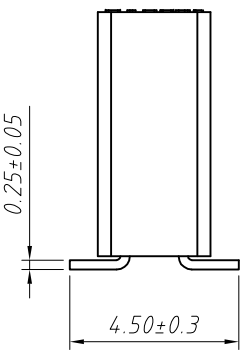
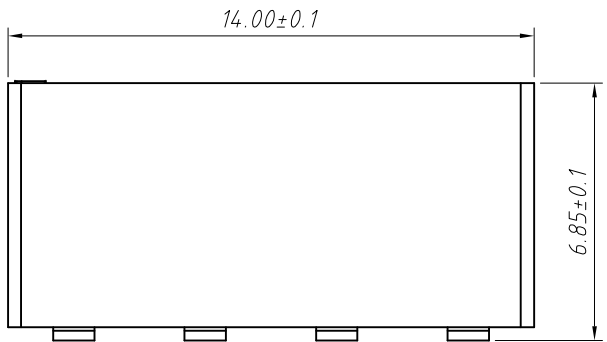


RoHS Compliant



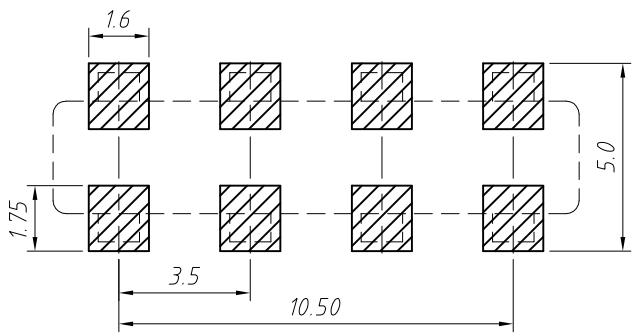
**MATERIAL**  
 Insulator: LCP, UL 94 V-0, Beige  
 Contacts: Phosphor Bronze, Tin-plated

**Main Specifications**  
 Poles: 04P  
 Contact Resistance:  $\leq 20m\Omega$   
 Insulation Resistance:  $\geq 800M\Omega$   
 Rated Voltage: 250V AC DC  
 Rated Current: 1.0A AC DC  
 Withstanding Voltage: 1000V AC/minute  
 Temperature Range:  $-25^{\circ}C \sim +105^{\circ}C$



**Order Information**  
 L-KLS2- L38 - 04P  
 └──────────┬──────────┬──────────  
 Series No. Number of poles  
 └──────────┬──────────  
 RoHS

Assembly Layout



Board Layout

GENERAL TOLERANCE		ANGLE TOLERANCE		PROJECTION	Description: Wire to Board Link, Socket for LED Lighting, Pitch 3.5mm L-KLS2-L38-XXP
X. $\pm 0.15$	.X $\pm 0.03$	X. $\pm 5^{\circ}$	.X $\pm 3^{\circ}$	UNITS mm	
.XX $\pm 0.05$	.XX $\pm 2^{\circ}$	SHEET SIZE A4	KLS P/N:		

Draw by:	Jenny	Date:	2018-03-10
Check by:		Date:	2018-03-10
SCALE		SHEET	1 OF 1

**KLS**  
 NingBo KLS ELECTRONIC CO.,L TD.