

REV.	DESCRIPTION	DRAWN	CHECKED	APPROVED
A	NEW RELEASE	LJC 07/20/12'		LJC 07/20/12'
B	ADD Pin Length A	JLZ 09/01/14'		

**NOTES:**

- 1.Materials:**  
 1.1. Insulator: High Temperature 260°C,UL94-V0  
 (For White Only UL94-HB Rated).RoHS,REACH compliance.  
 1.2. Pin: Copper Alloy, Plating Tin or Gold.  
 1.3. Clip: Beryllium Copper, C17200,Full Gold plating.
- 2.Specifications:**  
 2.1. Temperature Range: -55~+125°C.  
 2.2. Contact Resistance: 10mΩ maximum.  
 2.3. Insulation Resistance: 1000MΩ minimum.  
 2.4. Dielectric Withstanding Voltage: 500V AC 1 minute.  
 2.5. Voltage Rating: 100V AC/DC.  
 2.6. Current Rating: 3A max per pin.  
 2.7. Application insert pin:  $\varnothing 0.381 \sim \varnothing 0.635\text{mm}$ .  
 2.8. Resistance to soldering heat: 260°C,3-5seconds.  
 2.9. Durability: 1000 cycles min.
- 3. Product Number Code:**

DS1137-02 - X X X X X X X

- Pin Length DIM A(For Male Only) ②
- N/A: DIM A=2.65
- 1.50: DIM A=1.50
- Packing Type
- R: Tape On Reel.
- Clip plating(Female Only)
- 8: Full gold flash.
- C: Full 3u" gold.
- Pin plating
- 6: Full tin.
- 8: Full gold flash.
- Housing Color
- W: White
- B: Black
- V: Ivory
- Connector Type
- F: Female
- M: Male
- No. of positions
- 2: 2p ~ 5: 5p

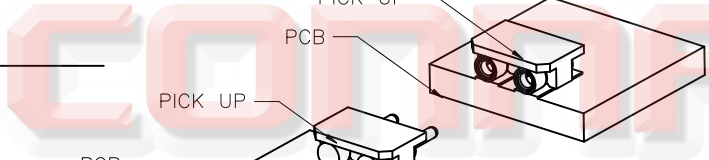
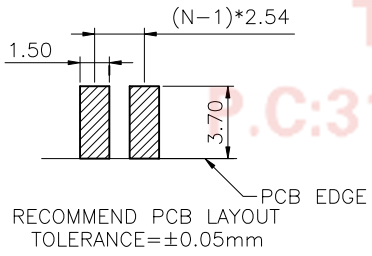
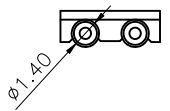
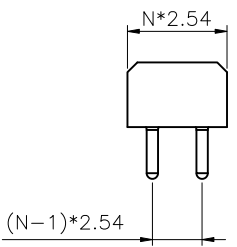
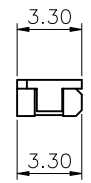
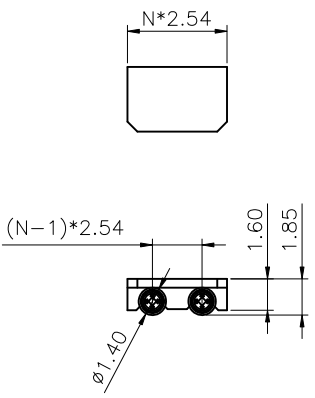


Figure of PCB Mounting

Tel:86-574-63508787  
 Fax:86-574-63510817  
 E-mail:sale@connfly.com  
 http://www.connfly.com  
 Add:East Industry Zone KuangYan  
 Town Cixi Ningbo China  
 P.C:315333

# Female



# Male

GENERAL TOLERANCE		ANGLE TOLERANCE	
X.	±0.60	X.	±5°
.X	±0.38	.X	±3°
.XX	±0.25	.XX	±2°

DRAWING TYPE	CUSTOMER		
SCALE	1:1	SHEET	1 OF 1
DRAWING NO.	C-DS1137-02-XXXXXX-B		

PROJECTION	TITLE
	2.54mm LED Series Plug & Socket
UNITS	mm
SHEET SIZE	A4
SERIES	DS1137-02 SERIES

晨翔电子有限公司  
**CONNFLY CONNFLY ELECTRONIC CO., LTD**