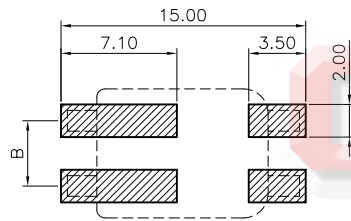
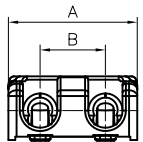
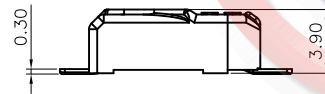
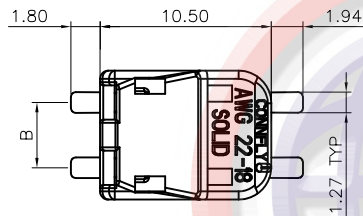
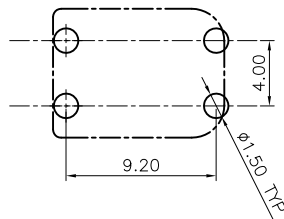
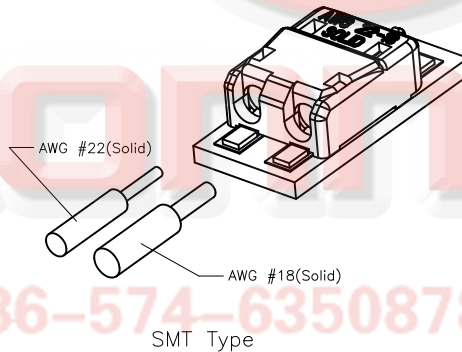


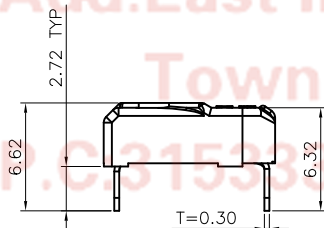
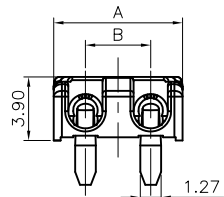
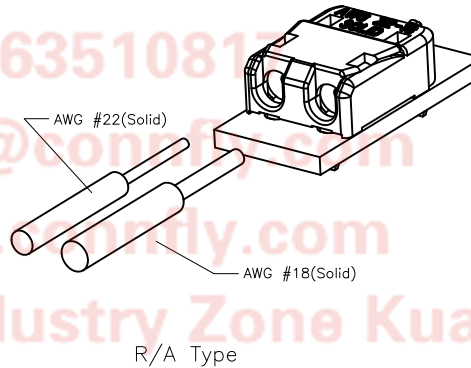
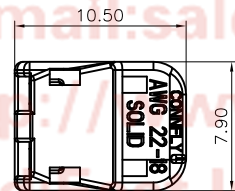
Positions	A(mm)	B(mm)
1	3.90	
2	7.90	4.00
3	11.90	8.00



RECOMMEND PCB LAYOUT  
TOLERANCE=±0.05mm



RECOMMEND PCB LAYOUT  
TOLERANCE=±0.05mm



REV.	DESCRIPTION	DRAWN	CHECKED	APPROVED
A	NEW RELEASE	Kevin 03/09/15'	Andy_H 03/09/15'	LJC 03/09/15'

**NOTES:**

**1.Materials:**

- 1.1. Insulator: High Temperature 260°C,UL94-HB or V0 Rated, color of white or black.RoHS,REACH compliance.
- 1.2. Pin: Phosphor Bronze, Plating Matt Tin or Gold.

**2.Specifications:**

- 2.1. Temperature Range: -40~+105°C.
- 2.2. Contact Resistance: 20mΩ maximum.
- 2.3. Insulation Resistance: 1000MΩ minimum.
- 2.4. Dielectric Withstanding Voltage: 1000V AC 1 minute.
- 2.5. Voltage Rating: 320V AC/DC.
- 2.6. Current Rating: 9A max per pin.
- 2.7. Application Wire Range: AWG #22-18(0.2~0.75mm ). Conductor is Single Type.
- 2.8. Resistance to soldering heat: 260°C,3-5seconds.
- 2.9. Durability: 1000 cycles min.
- 2.10. Packing Type: 13" Tape On Reel

**3. Product Number Code:**

DS1137-08 - X X X X X X

Packing Type  
R: Tape On Reel.

Pin plating  
6: Full tin.  
8: Full gold flash.

Housing Color  
A: Gray  
B: Black  
W: White

Mounting Type  
S: SMT Type  
R: R/A Type

Connector Type  
F: Female

No. of positions  
01:1p 02:2p 03: 3p

GENERAL TOLERANCE		ANGLE TOLERANCE	
X.	±0.60	X.	±5°
.X	±0.38	.X	±3°
.XX	±0.25	.XX	±2°
DRAWING TYPE		CUSTOMER	
SCALE		1:1	SHEET 1 OF 1
DRAWING NO.		C-DS1137-08-XXXXXX-A	

PROJECTION	TITLE
	4.0mm LED Series Socket SMT & R/A Type H=3.9mmConductor is Single Type.
UNITS	mm
SHEET SIZE	A4
SERIES	DS1137-08 SERIES

晨翔电子有限公司  
**CONNFLY CONNFLY ELECTRONIC CO., LTD**

Tel:86-574-63508787

Fax:86-574-63510815

E-mail:sale@connfly.com

http://www.connfly.com

Add:East Industry Zone KuangYan

Town Cixi Ningbo China

P.O.315333