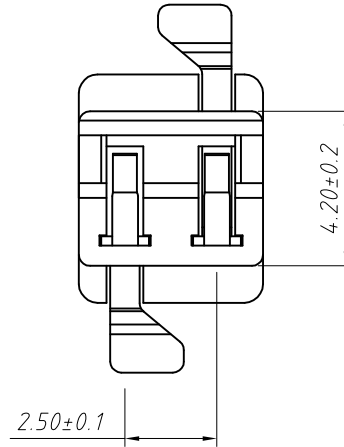
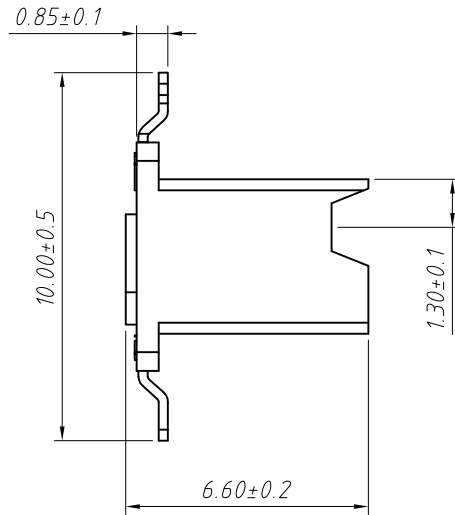
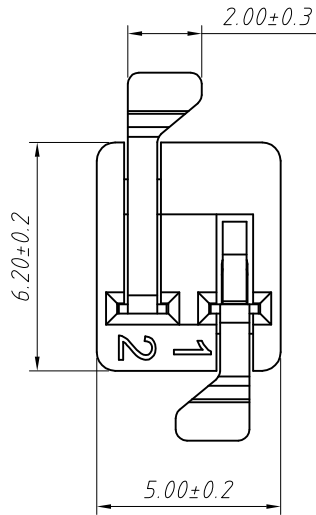


1 RoHS Compliant

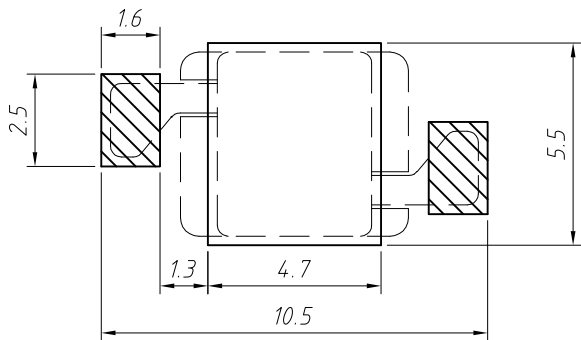


MATERIAL
 Insulator:LCP,UL 94V-0,Beige
 Contacts:Phosphor Bronze,Tin-plated

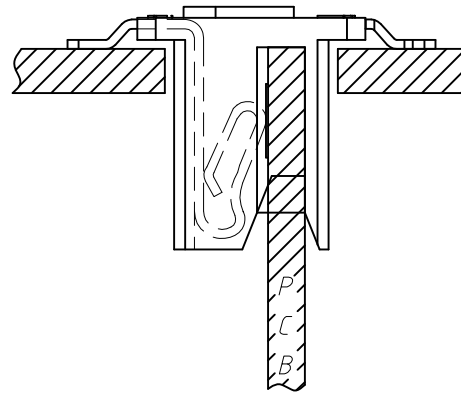
Main Specifications
 Thickness:1.0mm to 1.2mm
 Contact Resistance:≤20mΩ
 Insulation Resistance:≥1000MΩ
 Rated Voltag250V AC DC
 Rated Current:1.0A AC DC
 Withstanding Voltage:1000V AC/minute
 Temperature Range: -40 °C ~ + 120° C

Order Information

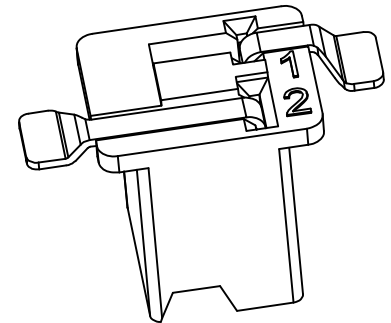
L-KLS2- L69
 └──┬── Series No.
 └──┬── RoHS




Board Layout



Assembly Layout



GENERAL TOLERANCE		ANGLE TOLERANCE		PROJECTION	Description:
X. ±0.15		X. ±5°		UNITS	EDGE Connector
.X ±0.03		.X ±3°		SHEET SIZE	for LED Lighting,pitch 2.50mm
.XX ±0.05		.XX ±2°		KLS P/N:	L-KLS2-L69
Draw by:	Jenny	Date:	2018-03-10	 NingBo KLS ELECTRONIC CO.,L TD.	
Check by:		Date:	2018-03-10		
SCALE		SHEET	1 OF 1		