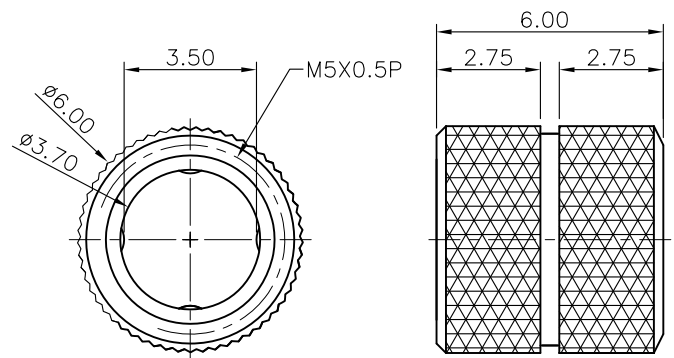
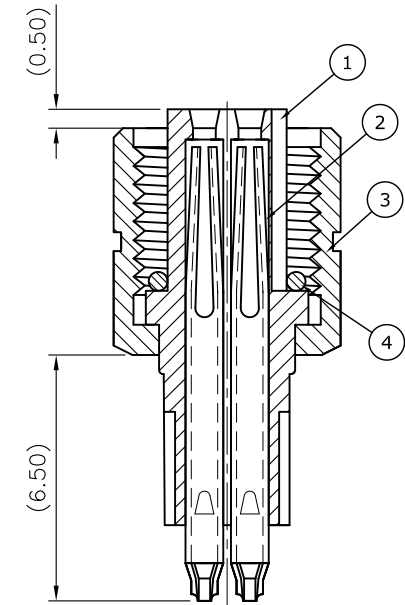
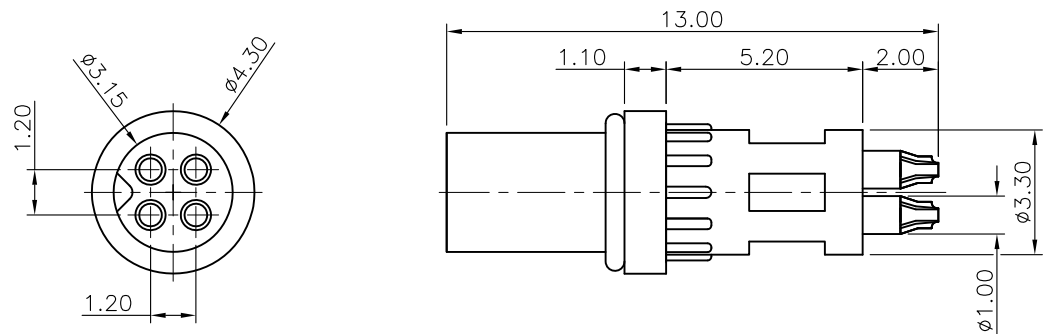


REV.	DESCRIPTION	DRAWN	DATE
1	INITIAL RELEASE	TIM	2016/08/15


SPECIFICATION:

1. CURRENT RATING: 1A
2. VOLTAGE: 60V
3. WATER PROOF: IP67
4. OPERATION TEMPERATURE: -20°C TO +85°C



NUT

4	O-RING	NBR, Black
3	NUT	Brass, Nickel plating
2	CONTACT	Phosphor Bronze, Gold plating over Nickel
1	HOUSING	TPU, Black
NO	PART NAME	DESCRIPTION

UNLESS OTHERWISE SPECIFIED TOLERANCE					
UNIT:	DECIMAL	LINEAR	ANGLES		
mm	X.	±0.50	±5°	WWW.ATTEND.COM.TW	
	X.X	±0.25	±3°		
	X.XX	±0.12	±1°		
DRAWN	Tim	2016/08/15	DRAWN NAME:		
CHECKED	Fros	2016/08/15	M5 A- Code Plug for Cable ,		
APPROVED	Ken	2016/08/15	4Pin Female For Overmold with Cable		
SCALE	SHEET	SIZE	FILE NAME	PRODUCT NO.	
5/1	1/1	A4	220A-04FO0_B_1	220A-04FO0	