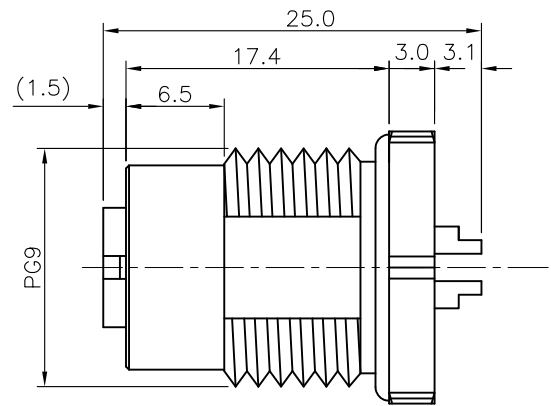
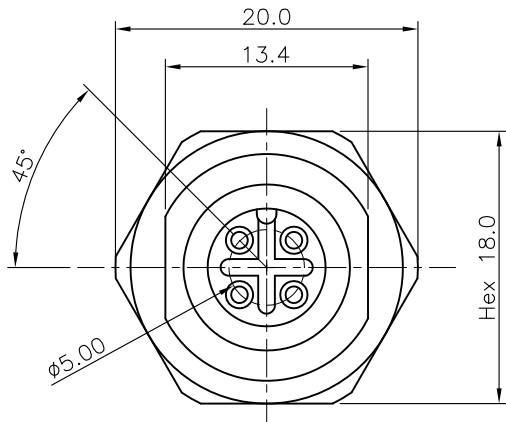
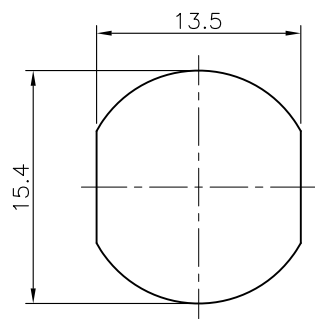


| REV. | DESCRIPTION     | DRAWN | DATE       |
|------|-----------------|-------|------------|
| 1    | INITIAL RELEASE | FROS  | 2017/06/30 |

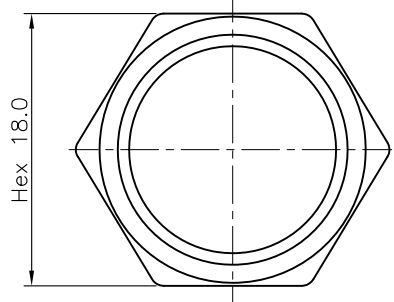


**SPECIFICATION:**

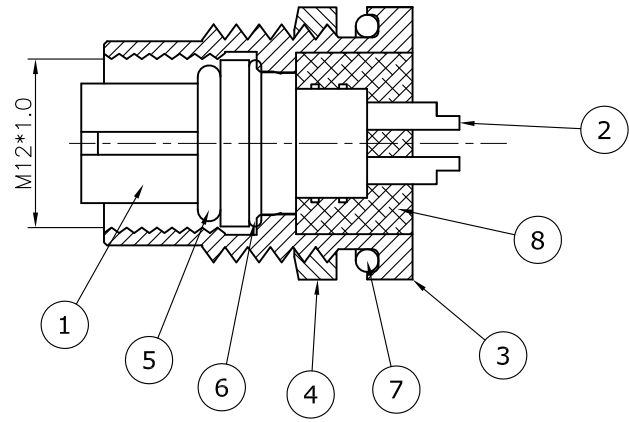
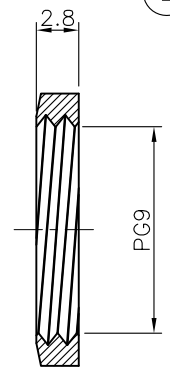
1. Current Rating: 5A
2. Voltage Rating: 125V
3. Waterproof: IPX7
4. Operating temperature range: -40°C~+85°C




CUT OUT



NUT



| NO. | PART NAME | DESCRIPTION                          |
|-----|-----------|--------------------------------------|
| 8   | EPOXY     | EF400A & EF400B, Black               |
| 7   | O-RING    | EPDM                                 |
| 6   | O-RING    | EPDM                                 |
| 5   | O-RING    | EPDM                                 |
| 4   | NUT       | Brass, Nickel plating                |
| 3   | SHELL     | Brass, Nickel plating                |
| 2   | CONTACT   | Brass, 10u" Gold plating over Nickel |
| 1   | HOUSING   | PBT, UL94V-0, Black                  |

| UNLESS OTHERWISE SPECIFIED TOLERANCE |         |            |  |  |  |
|--------------------------------------|---------|------------|--|---|--|
| UNIT:                                | DECIMAL | LINEAR     | ANGLES                                     |   |  |
| mm                                   | X.      | ±0.50      | ±5°  | WWW.ATTEND.COM.TW   |  |
|                                      | X.X     | ±0.25      | ±3°  |   |  |
|                                      | X.XX    | ±0.12      | ±1°  |   |  |
| DRAWN                                | Fros    | 2017/06/30 | DRAWN NAME:                                |   |  |
| CHECKED                              | Tim     | 2017/06/30 | M12 A- Code Receptacle,4Pin                |   |  |
| APPROVED                             | Ken     | 2017/06/30 | Female Straight Solder Type Front Fastened |   |  |
| SCALE                                | SHEET   | SIZE       | FILE NAME                                  |   |  |
| 2/1                                  | 1/1     | A4         | 216A-04FAF_B_1                             |   |  |